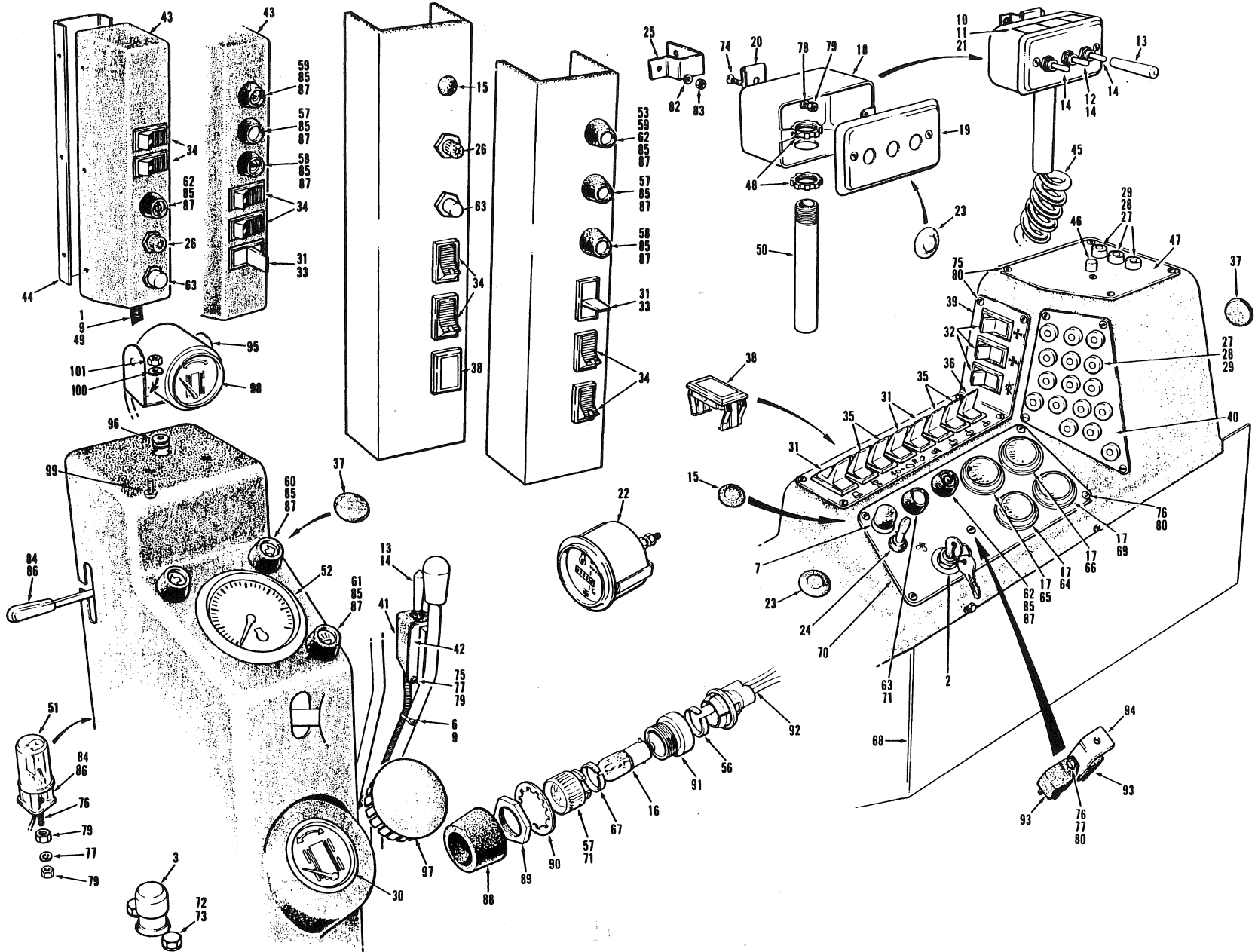


CHAMPION ROAD MACHINERY



ISSUE No.  
 N° D'ÉMISSION  
 N° DE EDICION 1 REVISION D

INSTRUMENTS

JUNE 1988

FOR LIST OF PARTS - TURN THIS PAGE

POUR LA LISTE DES PIÈCES - VOIR AU VERSO

PARA LA LISTA DE LAS PIEZAS - VER AL VERSO

USE ONLY CHAMPION ROAD MACHINERY APPROVED PARTS

EFFECTIVE SERIAL NUMBERS) 16224, 16245 & UP  
 NUMEROS) DE SERIE EFFECTIFS)  
 NUMEROS) DE SERIE EFFECTIVOS)

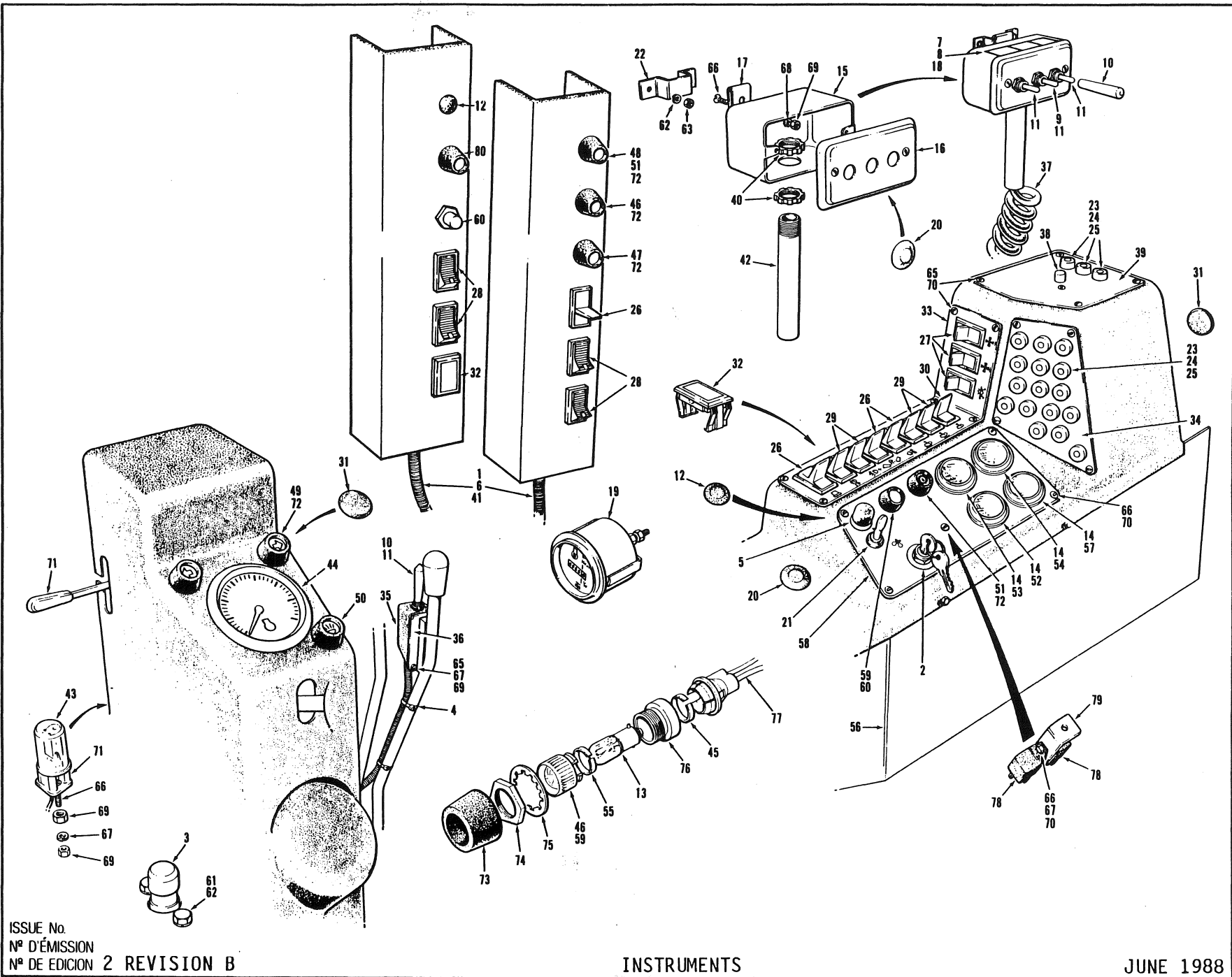
700 SERIES  
 SERIE 700

SECTION 10 PAGE 1  
 SECTION 10 PAGINA 1

U.S. 2021-2 & UP

| SECTION<br>SECCION 10 |  | PAGE<br>PAGINA 2                          | ISSUE No.<br>N° D'ÉMISSION<br>N° DE EDICION 1 REVISION D | INSTRUMENTS                   |                 | JUNE 1988                              |  |                                |   |
|-----------------------|--|---|--|-------------------------------|-----------------|--|--|--------------------------------|---|
| No.<br>N°<br>N°       | PART No.<br>N° DE PIÉCE<br>N° DE PIEZA | DESCRIPTION<br>DESCRIPTION<br>DESCRIPCION | No. REQ.<br>N° REQ.<br>N° REQ.                           | REMARKS<br>REMARQUES<br>NOTAS | No.<br>N°<br>N° | PART No.<br>N° DE PIECE<br>N° DE PIEZA | DESCRIPTION<br>DESCRIPTION<br>DESCRIPCION                          | No. REQ.<br>N° REQ.<br>N° REQ. | REMARKS<br>REMARQUES<br>NOTAS                             |
| 1                     | *140-01                                | WIRE - 14 Ga.                             | A.R.   |                               |                 |  |  |                                |   |
| 2                     | 5618                                   | IGNITION SWITCH & KEYS                    | 1  |                               | 65              | 36734                                  | GAUGE - COOLANT TEMPERATURE  | 1                              |   |
| 3                     | 7120                                   | DIMMER SWITCH                             | 1  |                               | 66              | 36735                                  | GAUGE - ENGINE OIL PRESSURE  | 1                              |   |
| 6                     | 15774                                  | PLASTIC TIE                               | A.R.   |                               | 67              | 36829                                  | FORCE RING   | 1                              |   |
| 7                     | 16579                                  | HORN BUTTON                               | 1  |                               | 68              | 40098                                  | BOX  | 1                              |   |
| 9                     | 17536                                  | CONDUIT                                   | A.R.   |                               | 69              | 40127                                  | GAUGE - FUEL LEVEL   | 1                              |   |
| 10                    | 17796                                  | DECAL - WINDROW ELIMINATOR                | 1  |                               | 70              | 40517                                  | GAUGE PANEL  | 1                              |   |
| 11                    | 17797                                  | DECAL - RIPPER                            | 1  |                               | 71              | 41304                                  | LENS - RED - ENGINE WARNING  | 1                              |   |
| 12                    | 17881                                  | SWITCH                                    | A.R.   |                               |                 |  |  |                                |   |
| 13                    | 17924                                  | HANDLE                                    | A.R.   |                               | 72              | 50A-0404                               | BOLT   | 2                              |   |
| 14                    | 17925                                  | SWITCH                                    | A.R.   |                               | 73              | 14A-04                                 | LOCKWASHER   | 2                              |   |
| 15                    | 18012                                  | PLUG                                      | A.R.   |                               | 74              | 52H-0604                               | SCREW  | 3                              |   |
| 16                    | 18790                                  | BULB                                      | A.R.   |                               | 75              | 52L-0804                               | SCREW  | A.R.                           |   |
| 17                    | 19075                                  | BULB                                      | A.R.   |                               | 76              | 52L-0808                               | SCREW  | A.R.                           |   |
| 18                    | 19884                                  | SWITCH BOX                                | 1  |                               | 77              | 14F-08                                 | LOCKWASHER   | A.R.                           |   |
| 19                    | 19885                                  | LID - C/W SCREWS                          | 1  |                               | 78              | 14S-06                                 | STARWASHER   | 3                              |   |
| 20                    | 19939                                  | CLIP                                      | 1  |                               | 79              | 32A-06                                 | NUT  | 3                              |   |
| 21                    | 23008                                  | DECAL - WING CONTROLS                     | 1  |                               | 80              | 46A-08                                 | NUT  | A.R.                           |   |
| 22                    | 23083                                  | HOURMETER                                 | 1  |                               | 82              | 14F-10                                 | LOCKWASHER   | A.R.                           |   |
| 23                    | 23121                                  | PLUG                                      | A.R.   |                               | 83              | 32A-10                                 | NUT  | A.R.                           |   |
| 24                    | 23122                                  | SWITCH - COLD START                       | 1  |                               |                 |  |  |                                |   |
| 25                    | 23123                                  | BRACKET                                   | 1  |                               | 84              | 23168                                  | SWITCH   | A.R.                           | UP TO SER.<br>No. 16470<br>U.S. SER.<br>No. 2211-2        |
| 26                    | 25695                                  | BUZZ LITE - LOW COOLANT WARNING           | 1  | OPTIONAL                      | 85              | 34426                                  | LIGHT INDICATOR ASSEMBLY - INCLUDES<br>ITEMS 16, 56, 67 & 88 TO 92 | A.R.                           |   |
| 27                    | 27352                                  | CIRCUIT BREAKER - 6 AMP.                  | A.R.   |                               |                 |  |  |                                |   |
| 28                    | 27353                                  | CIRCUIT BREAKER - 9 AMP.                  | A.R.   |                               |                 |  |  |                                |   |
| 29                    | 27354                                  | CIRCUIT BREAKER - 15 AMP.                 | A.R.   |                               |                 |  |  |                                |   |
| 30                    | 28698                                  | GAUGE - ARTICULATION                      | 1  | UP TO S/N<br>17342            | 86              | 40963                                  | SWITCH   | A.R.                           | SER. No.<br>16471 & UP<br>U.S. SER.<br>No. 2212-2<br>& UP |
|                       | *NOTE                                  | 28698 - REPLACED BY DETAIL NO. 95         | 1  |                               | 87              | 40500                                  | LIGHT INDICATOR ASSEMBLY - INCLUDES<br>ITEMS 16, 56, 67 & 88 TO 91 | A.R.                           |   |
| 31                    | 28700                                  | SWITCH - 2 POSITION                       | A.R.   |                               |                 |  |  |                                |   |
| 32                    | 28701                                  | SWITCH - 3 POSITION                       | A.R.   |                               |                 |  |  |                                |   |
| 33                    | 28702                                  | SWITCH - 3 POSITION MOMENTARY             | A.R.   |                               | 88              |  | SHROUD   | 1                              |   |
| 34                    | 28718                                  | SWITCH - FLOAT VALVE                      | 2  |                               | 89              |  | NUT  | 1                              | NOT SOLD SEPARATELY                                       |
| 35                    | 28720                                  | SWITCH - 3 POSITION                       | A.R.   |                               | 90              |  | WASHER   | 1                              |   |
| 36                    | 28721                                  | SWITCH - 2 POSITION MOMENTARY             | A.R.   |                               | 91              |  | BODY   | 1                              |   |
| 37                    | 28748                                  | PLUG                                      | A.R.   |                               | 92              |  | WIRES  | 1                              |   |
| 38                    | 28749                                  | PLUG                                      | A.R.   |                               |                 |  |  |                                |   |
| 39                    | 28879                                  | SWITCH PANEL                              | 1  |                               | 93              | 25292                                  | RELAY SWITCH   | 2                              |   |
| 40                    | 28880                                  | LOWER PANEL                               | 1  |                               | 94              | 33239-2                                | BRACKET  | 1                              |   |
| 41                    | 28962                                  | HOLDER                                    | 1  |                               |                 |  |  |                                |   |
| 42                    | 28963                                  | BRACKET                                   | 1  |                               | 95              | *28698                                 | ARTICULATION GAUGE SERVICE PACKAGE -<br>INCLUDES ITEMS 96 TO 101   | A.R.                           | REPAIR PART   |
| 43                    | 28968                                  | SWITCH POD                                | 1  | UP TO S/N<br>16847            | 96              | *41710                                 | GROMMET  | 1                              |   |
| 44                    | 32324                                  | BRACKET                                   | 1  |                               | 97              | *46802                                 | COVER  | 1                              |   |
| 45                    | 32372                                  | COIL CORD                                 | 1  |                               | 98              | *46803                                 | GAUGE - ARTICULATION   | 1                              |   |
| 46                    | 32379                                  | CIRCUIT BREAKER - 25 AMP.                 | 1  |                               | 99              | *52L-0804                              | SCREW  | 2                              |   |
| 47                    | 32393                                  | UPPER PANEL                               | 1  |                               | 100             | *14F-08                                | LOCKWASHER   | 2                              |   |
| 48                    | 32412                                  | LOCKNUT                                   | 2  |                               | 101             | *32A-08                                | NUT  | 2                              |   |
| 49                    | 32437                                  | GROMMET                                   | 1  |                               |                 |  |  |                                |   |
| 50                    | 32577                                  | HANDLE                                    | 1  |                               |                 |  |  |                                |   |
| 51                    | 32752                                  | FLASHER UNIT                              | 1  |                               |                 |  |  |                                |   |
| 52                    | 34055                                  | TACHOMETER                                | 1  |                               |                 |  |  |                                |   |
| 53                    | 34984                                  | LENS - PARKING BRAKE                      | 1  |                               |                 |  |  |                                |   |
| 56                    | 34416                                  | FORCE RING                                | 1  |                               |                 |  |  |                                |   |
| 57                    | 34428                                  | LENS - AMBER                              | A.R.   |                               |                 |  |  |                                |   |
| 58                    | 34430                                  | LENS - DIFFERENTIAL                       | 1  |                               |                 |  |  |                                |   |
| 59                    | 34431                                  | LENS - O.D.B. PRESSURE                    | 1  |                               |                 |  |  |                                |   |
| 60                    | 34432                                  | LENS - TURN SIGNAL                        | 1  |                               |                 |  |  |                                |   |
| 61                    | 34433                                  | LENS - HIGH BEAM                          | 1  |                               |                 |  |  |                                |   |
| 62                    | 34434                                  | LENS - LUBE PRESSURE                      | 1  |                               |                 |  |  |                                |   |
| 63                    | *44286                                 | BUZZ LITE                                 | A.R.   |                               |                 |  |  |                                |   |
| 64                    | 36733                                  | VOLTMETER                                 | 1  |                               |                 |  |  |                                |   |

CHAMPION ROAD MACHINERY



EFFECTIVE SERIAL NUMBER(S) 17490 & UP  
 NUMERO(S) DE SERIE EFFECTIF(S)  
 NUMERO(S) DE SERIE EFECTIVO(S)  
 U.S. 2572-2 & UP

700 SERIES  
 SERIE 700

SECTION 10 PAGE 1  
 SECCION 10 PAGINA 1

ISSUE No. 2  
 N° D'ÉMISSION 2  
 N° DE EDICION 2 REVISION B

INSTRUMENTS

FOR LIST OF PARTS - TURN THIS PAGE

POUR LA LISTE DES PIÈCES - VOIR AU VERSO

PARA LA LISTA DE LAS PIEZAS - VER AL VERSO

JUNE 1988

USE ONLY CHAMPION APPROVED PARTS

| SECTION<br>SECCION 10 |  | PAGE<br>PAGINA 2                          | ISSUE No.<br>N° D'ÉMISSION<br>N° DE EDICION 2 REVISION B | INSTRUMENTS                   |                 | JUNE 1988                              |  |                                |                               |
|-----------------------|--|---|--|-------------------------------|-----------------|--|--|--------------------------------|-------------------------------|
| No.<br>N°<br>N°       | PART No.<br>N° DE PIÈCE<br>N° DE PIEZA | DESCRIPTION<br>DESCRIPTION<br>DESCRIPCION | No. REQ.<br>N° REQ.<br>N° REQ.                           | REMARKS<br>REMARQUES<br>NOTAS | No.<br>N°<br>N° | PART No.<br>N° DE PIECE<br>N° DE PIEZA | DESCRIPTION<br>DESCRIPTION<br>DESCRIPCION                          | No. REQ.<br>N° REQ.<br>N° REQ. | REMARKS<br>REMARQUES<br>NOTAS |
| 1                     | *140-01                                | WIRE - 14 Ga.                             | A.R.   |                               | 42              | 32577                                  | HANDLE   | 1                              |                               |
| 2                     | 5618                                   | IGNITION SWITCH & KEYS                    | 1  |                               | 43              | 32752                                  | FLASHER UNIT   | 1                              |                               |
| 3                     | 7120                                   | DIMMER SWITCH                             | 1  |                               | 44              | 34055                                  | TACHOMETER   | 1                              |                               |
| 4                     | 15774                                  | PLASTIC TIE                               | A.R.   |                               | 45              | 34416                                  | FORCE RING   | 1                              |                               |
| 5                     | 16579                                  | HORN BUTTON                               | 1  |                               | 46              | 34428                                  | LENS - AMBER   | A.R.                           |                               |
| 6                     | 17536                                  | CONDUIT                                   | A.R.   |                               | 47              | 34430                                  | LENS - DIFFERENTIAL  | 1                              |                               |
| 7                     | 17796                                  | DECAL - WINDROW ELIMINATOR                | 1  |                               | 48              | 34431                                  | LENS - O.D.B. PRESSURE   | 1                              |                               |
| 8                     | 17797                                  | DECAL - RIPPER                            | 1  |                               | 49              | 34432                                  | LENS - TURN SIGNAL   | 1                              |                               |
| 9                     | 17881                                  | SWITCH                                    | A.R.   |                               | 50              | 34433                                  | LENS - HIGH BEAM   | 1                              |                               |
| 10                    | 17924                                  | HANDLE                                    | A.R.   |                               | 51              | 34434                                  | LENS - LUBE PRESSURE   | 1                              |                               |
| 11                    | 17925                                  | SWITCH                                    | A.R.   |                               | 52              | 36733                                  | VOLTMETER  | 1                              |                               |
| 12                    | 18012                                  | PLUG                                      | A.R.   |                               | 53              | 36734                                  | GAUGE - COOLANT TEMPERATURE  | 1                              |                               |
| 13                    | 18790                                  | BULB                                      | A.R.   |                               | 54              | 36735                                  | GAUGE - ENGINE OIL PRESSURE  | 1                              |                               |
| 14                    | 19075                                  | BULB                                      | A.R.   |                               | 55              | 36829                                  | FORCE RING   | 1                              |                               |
| 15                    | 19884                                  | SWITCH BOX                                | 1  |                               | 56              | 40098                                  | BOX  | 1                              |                               |
| 16                    | 19885                                  | LID - C/W SCREWS                          | 1  |                               | 57              | 40127                                  | GAUGE - FUEL LEVEL   | 1                              |                               |
| 17                    | 19939                                  | CLIP                                      | 1  |                               | 58              | 40517                                  | GAUGE PANEL  | 1                              |                               |
| 18                    | 23008                                  | DECAL - WING CONTROLS                     | 1  |                               | 59              | 41304                                  | LENS - RED - ENGINE WARNING  | 1                              |                               |
| 19                    | 23083                                  | HOURMETER                                 | 1  |                               | 60              | 44286                                  | BUZZ LITE  | A.R.                           |                               |
| 20                    | 23121                                  | PLUG                                      | A.R.   |                               |                 |  |  |                                |                               |
| 21                    | 23122                                  | SWITCH - COLD START                       | 1  |                               | 61              | 50A-0404                               | BOLT   | 2                              |                               |
| 22                    | 23123                                  | BRACKET                                   | 1  |                               | 62              | 14A-04                                 | LOCKWASHER   | 2                              |                               |
| 23                    | 27352                                  | CIRCUIT BREAKER - 6 AMP.                  | A.R.   |                               | 63              | 30A-04                                 | NUT  | 2                              |                               |
| 24                    | 27353                                  | CIRCUIT BREAKER - 9 AMP.                  | A.R.   |                               | 64              | 52H-0604                               | SCREW  | 1                              |                               |
| 25                    | 27354                                  | CIRCUIT BREAKER - 15 AMP.                 | A.R.   |                               | 65              | 52L-0804                               | SCREW  | A.R.                           |                               |
| 26                    | 28700                                  | SWITCH - 2 POSITION                       | A.R.   |                               | 66              | 52L-0808                               | SCREW  | A.R.                           |                               |
| 27                    | 28701                                  | SWITCH - 3 POSITION                       | A.R.   |                               | 67              | 14F-08                                 | LOCKWASHER   | A.R.                           |                               |
| 28                    | 28718                                  | SWITCH - FLOAT VALVE                      | 2  |                               | 68              | 14H-06                                 | STARWASHER   | 1                              |                               |
| 29                    | 28720                                  | SWITCH - 3 POSITION                       | A.R.   |                               | 69              | 32A-06                                 | NUT  | 3                              |                               |
| 30                    | 28721                                  | SWITCH - 2 POSITION MOMENTARY             | A.R.   |                               | 70              | 46A-08                                 | NUT  | A.R.                           |                               |
| 31                    | 28748                                  | PLUG                                      | A.R.   |                               |                 |  |  |                                |                               |
| 32                    | 28749                                  | PLUG                                      | A.R.   |                               | 71              | 40963                                  | SWITCH   | A.R.                           |                               |
| 33                    | 28879                                  | SWITCH PANEL                              | 1  |                               | 72              | 40500                                  | LIGHT INDICATOR ASSEMBLY - INCLUDES<br>ITEMS 13, 45, 55 & 73 TO 76 | A.R.                           |                               |
| 34                    | 28880                                  | LOWER PANEL                               | 1  |                               |                 |  |  |                                |                               |
| 35                    | 28962                                  | HOLDER                                    | 1  |                               |                 |  |  |                                |                               |
| 36                    | 28963                                  | BRACKET                                   | 1  |                               |                 |  |  |                                |                               |
| 37                    | 32372                                  | COIL CORD                                 | 1  |                               | 73              |  | SHROUD   | 1                              |                               |
| 38                    | 32379                                  | CIRCUIT BREAKER - 25 AMP.                 | 1  |                               | 74              |  | NUT  | 1                              |                               |
| 39                    | 32393                                  | UPPER PANEL                               | 1  |                               | 75              |  | WASHER   | 1                              | NOT SOLD SEPARATELY           |
| 40                    | 32412                                  | LOCKNUT                                   | 2  |                               | 76              |  | BODY   | 1                              |                               |
| 41                    | 32437                                  | GROMMET                                   | 1  |                               | 77              |  | WIRES  | 1                              |                               |
|                       |  |   |  |                               | 78              | 25292                                  | RELAY SWITCH   | 3                              |                               |
|                       |  |   |  |                               | 79              | 33239-2                                | BRACKET  | 1                              |                               |
|                       |  |   |  |                               | 80              | *34426                                 | LIGHT INDICATOR ASSEMBLY - INCLUDES<br>ITEMS 13, 45, 55 & 73 TO 77 | A.R.                           | REPAIR PART                   |

CHAMPION ROAD MACHINERY

EFFECTIVE SERIAL NUMBERS)  
 NUMEROS) DE SÉRIE EFFECTIFS)  
 NUMEROS) DE SERIE EFFECTIVOS)

19292 & UP

700 SERIES  
 SERIE 700

SECTION 10 PAGE  
 SECTION 10 PAGINA

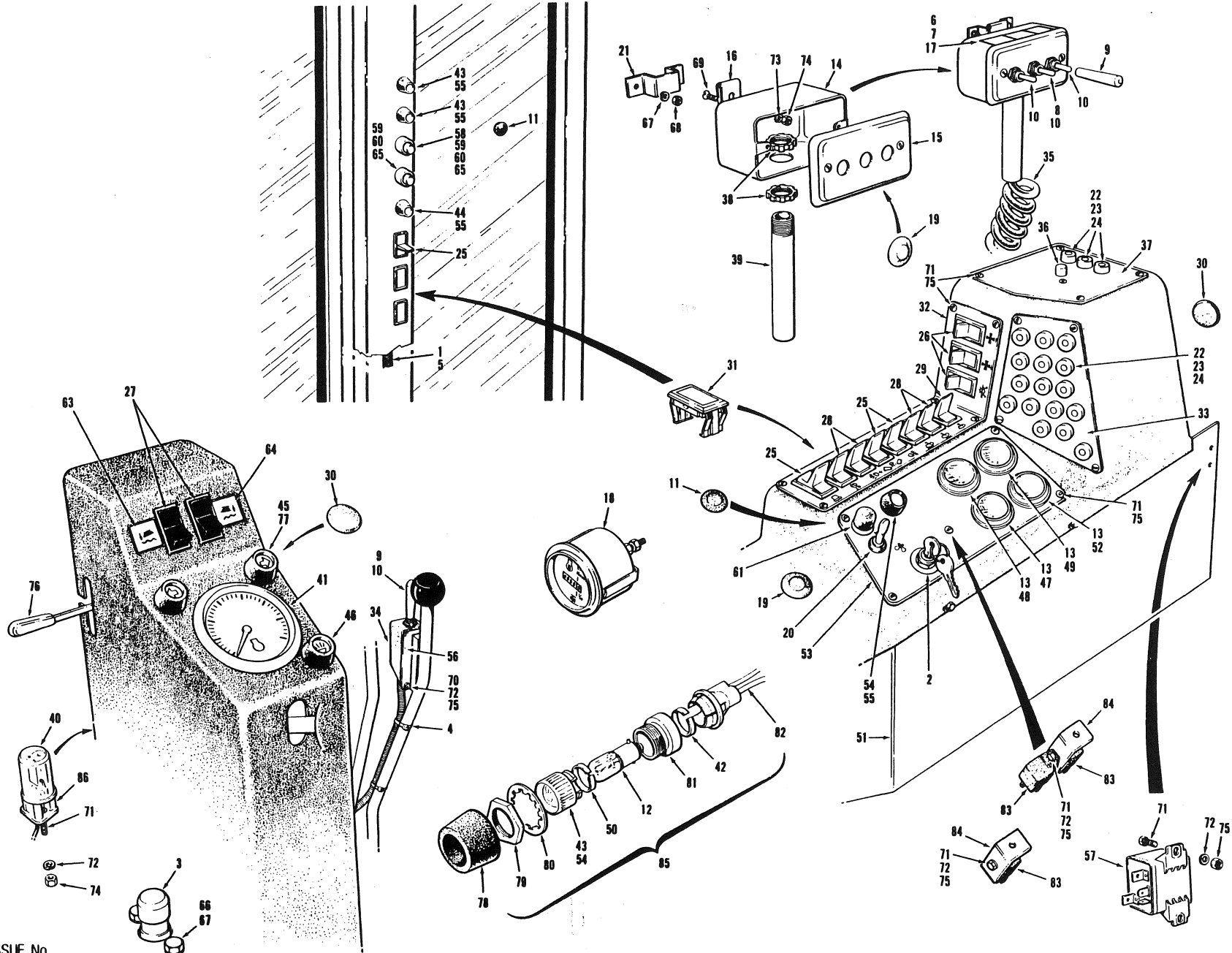
1

ISSUE No.  
 N° D'ÉMISSION  
 N° DE EDICION

3 REVISION A

INSTRUMENTS

APRIL 1989



FOR LIST OF PARTS - TURN THIS PAGE

POUR LA LISTE DES PIÈCES - VOIR AU VERSO

PARA LA LISTA DE LAS PIEZAS - VER AL VERSO

USE ONLY CHAMPION ROAD MACHINERY APPROVED PARTS

| SECTION<br>SECCION | 10                                     | PAGE<br>PAGINA                            | 2                              | ISSUE No.<br>N° D'ÉMISSION<br>N° DE EDICION | 3 REVISION A    | INSTRUMENTS                            |  |                                |                               | APRIL 1989 |
|--------------------|--|---|--------------------------------|---|-----------------|--|--|--------------------------------|-------------------------------|------------|
| No.<br>N°<br>N°    | PART No.<br>N° DE PIÈCE<br>N° DE PIEZA | DESCRIPTION<br>DESCRIPTION<br>DESCRIPCION | No. REQ.<br>N° REQ.<br>N° REQ. | REMARKS<br>REMARQUES<br>NOTAS               | No.<br>N°<br>N° | PART No.<br>N° DE PIÈCE<br>N° DE PIEZA | DESCRIPTION<br>DESCRIPTION<br>DESCRIPCION                          | No. REQ.<br>N° REQ.<br>N° REQ. | REMARKS<br>REMARQUES<br>NOTAS |            |
| 1                  | 140-1                                  | WIRE - 14 GA.                             | A.R.                           |   | 51              | 40098                                  | BOX  | 1                              |                               |            |
| 2                  | 5618                                   | IGNITION SWITCH & KEYS                    | 1                              |   | 52              | 40127                                  | GAUGE - FUEL LEVEL   | 1                              |                               |            |
| 3                  | 7120                                   | DIMMER SWITCH                             | 1                              |   | 53              | 40517                                  | GAUGE PANEL  | 1                              |                               |            |
| 4                  | 15774                                  | PLASTIC TIE                               | A.R.                           |   | 54              | 41304                                  | LENS - RED - ENGINE WARNING  | 1                              |                               |            |
| 5                  | 17536                                  | CONDUIT                                   | A.R.                           |   | 55              | 44286                                  | BUZZ LITE  | A.R.                           |                               |            |
| 6                  | 17796                                  | DECAL - WINDROW ELIMINATOR                | 1                              |   | 56              | 48729                                  | BRACKET  | 1                              |                               |            |
| 7                  | 17797                                  | DECAL - RIPPER                            | 1                              |   | 57              | *48909                                 | RELAY SWITCH - DRUM BRAKES   | 1                              |                               |            |
| 8                  | 17881                                  | SWITCH                                    | A.R.                           |   | 58              | *49079                                 | LENS   | 1                              | DRUM BRAKES                   |            |
| 9                  | 17924                                  | HANDLE                                    | A.R.                           |   | 59              | *49080                                 | LENS   | 1                              | DRUM BRAKES                   |            |
| 10                 | 17925                                  | SWITCH                                    | A.R.                           |   |                 |  |  | 2                              | O.D. BRAKES                   |            |
| 11                 | 18012                                  | PLUG                                      | A.R.                           |   | 60              | *49094                                 | BUZZ LITE INDICATOR C/W ITEM 65                                    | 2                              | DRUM BRAKES                   |            |
| 12                 | 18790                                  | BULB                                      | A.R.                           |   | 61              | 49262                                  | HORN BUTTON  | 1                              |                               |            |
| 13                 | 19075                                  | BULB                                      | A.R.                           |   | 63              | 49481                                  | DECAL - L.H. - FLOAT   | 1                              |                               |            |
| 14                 | 19884                                  | SWITCH BOX                                | 1                              |   | 64              | 49482                                  | DECAL - R.H. - FLOAT   | 1                              |                               |            |
| 15                 | 19885                                  | LID - C/W SCREWS                          | 1                              |   | 65              | *49629                                 | BULB   | A.R.                           |                               |            |
| 16                 | 19939                                  | CLIP                                      | 1                              |   | 66              | 50A-0404                               | BOLT   | 2                              |                               |            |
| 17                 | 23008                                  | DECAL - WING CONTROLS                     | 1                              |   | 67              | 14A-04                                 | LOCKWASHER   | 2                              |                               |            |
| 18                 | 23083                                  | HOUR METER                                | 1                              |   | 68              | 30A-04                                 | NUT  | 2                              |                               |            |
| 19                 | 23121                                  | PLUG                                      | A.R.                           |   | 69              | 52H-0604                               | SCREW  | 1                              |                               |            |
| 20                 | 23122                                  | SWITCH - COLD START                       | 1                              |   | 70              | 52L-0804                               | SCREW  | A.R.                           |                               |            |
| 21                 | 23123                                  | BRACKET                                   | 1                              |   | 71              | 52L-0808                               | SCREW  | A.R.                           |                               |            |
| 22                 | 27352                                  | CIRCUIT BREAKER - 6 AMP                   | A.R.                           |   | 72              | 14F-08                                 | LOCKWASHER   | A.R.                           |                               |            |
| 23                 | 27353                                  | CIRCUIT BREAKER - 9 AMP                   | A.R.                           |   | 73              | 14H-06                                 | STARWASHER   | 1                              |                               |            |
| 24                 | 27354                                  | CIRCUIT BREAKER - 15 AMP                  | A.R.                           |   | 74              | 32A-06                                 | NUT  | 3                              |                               |            |
| 25                 | 28700                                  | SWITCH - 2 POSITION                       | A.R.                           |   | 75              | 46A-08                                 | NUT  | A.R.                           |                               |            |
| 26                 | 28701                                  | SWITCH - 3 POSITION                       | A.R.                           |   | 76              | 40963                                  | SWITCH   | A.R.                           |                               |            |
| 27                 | 28718                                  | SWITCH - FLOAT VALVE                      | 2                              |   | 77              | 40500                                  | LIGHT INDICATOR ASSEMBLY - INCLUDES ITEMS 12,<br>42, 50 & 78 TO 81 | A.R.                           |                               |            |
| 28                 | 28720                                  | SWITCH - 3 POSITION                       | A.R.                           |   |                 |  |  |                                |                               |            |
| 29                 | 28721                                  | SWITCH - 2 POSITION MOMENTARY             | A.R.                           |   | 78              |  | SHROUD   | 1                              |                               |            |
| 30                 | 28748                                  | PLUG                                      | A.R.                           |   | 79              |  | NUT  | 1                              |                               |            |
| 31                 | 28749                                  | PLUG                                      | A.R.                           |   | 80              |  | WASHER   | 2                              | NOT SOLD SEPARATELY           |            |
| 32                 | 28879                                  | SWITCH PANEL                              | 1                              |   | 81              |  | BODY   | 1                              |                               |            |
| 33                 | 28880                                  | LOWER PANEL                               | 1                              |   | 82              |  | WIRES  | 1                              |                               |            |
| 34                 | 28962                                  | HOLDER                                    | 1                              |   | 83              | 25292                                  | RELAY SWITCH - TRANSMISSION  | 3                              |                               |            |
| 35                 | 32372                                  | COIL CORD                                 | 1                              |   | 84              | 33239-2                                | BRACKET  | 2                              |                               |            |
| 36                 | 32379                                  | CIRCUIT BREAKER - 25 AMP                  | 1                              |   | 85              | 34426                                  | LIGHT INDICATOR ASSEMBLY   | A.R.                           |                               |            |
| 37                 | 32393                                  | UPPER PANEL                               | 1                              |   |                 |  | - INCLUDES ITEMS 12, 42, 50 & 78 TO 82                             |                                |                               |            |
| 38                 | 32412                                  | LOCKNUT                                   | 2                              |   | 86              | *3974A                                 | RECEPTACLE   | 1                              |                               |            |
| 39                 | 32577                                  | HANDLE                                    | 1                              |   |                 |  |  |                                |                               |            |
| 40                 | 32752                                  | FLASHER UNIT                              | 1                              |   |                 |  |  |                                |                               |            |
| 41                 | 34055                                  | TACHOMETER                                | 1                              |   |                 |  |  |                                |                               |            |
| 42                 | 34416                                  | FORCE RING                                | 1                              |   |                 |  |  |                                |                               |            |
| 43                 | 34428                                  | LENS - AMBER                              | A.R.                           |   |                 |  |  |                                |                               |            |
| 44                 | 34430                                  | LENS - DIFFERENTIAL                       | 1                              |   |                 |  |  |                                |                               |            |
| 45                 | 34432                                  | LENS - TURN SIGNAL                        | 2                              |   |                 |  |  |                                |                               |            |
| 46                 | 34433                                  | LENS - HIGH BEAM                          | 1                              |   |                 |  |  |                                |                               |            |
| 47                 | 36733                                  | VOLTMETER                                 | 1                              |   |                 |  |  |                                |                               |            |
| 48                 | 36734                                  | GAUGE - COOLANT TEMPERATURE               | 1                              |   |                 |  |  |                                |                               |            |
| 49                 | 36735                                  | GAUGE - ENGINE OIL PRESSURE               | 1                              |   |                 |  |  |                                |                               |            |
| 50                 | 36829                                  | FORCE RING                                | 1                              |   |                 |  |  |                                |                               |            |

CHAMPION ROAD MACHINERY

EFFECTIVE SERIAL NUMBERS)  
 NUMEROS) DE SERIE EFFECTIFS)  
 NUMEROS) DE SERIE EFFECTIVOS)

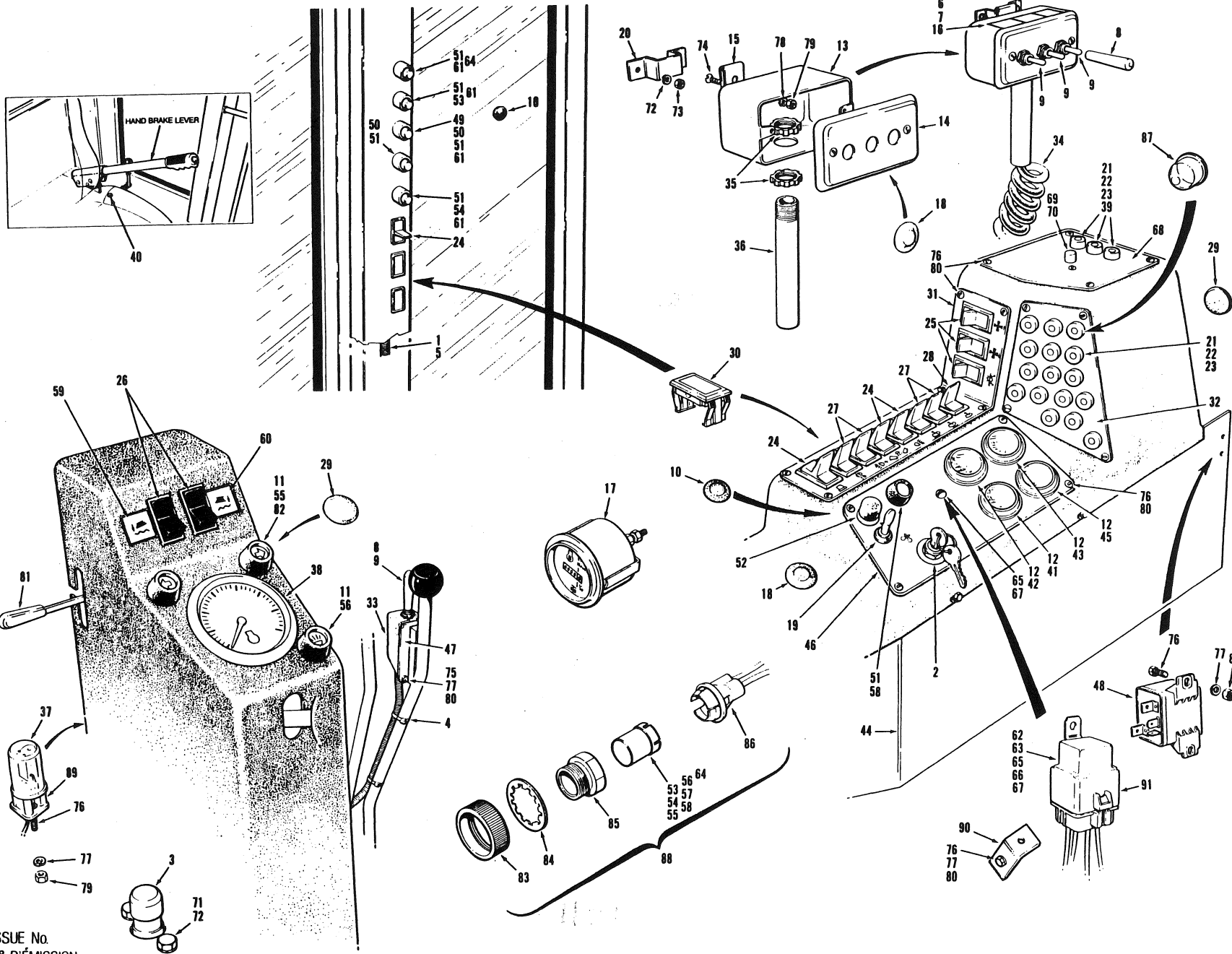
19843 & UP

700 SERIES  
 SERIE 700

SECTION 10 PAGE 1  
 SECCION 10 PAGINA 1

ISSUE No.  
 N° D'ÉMISSION  
 N° DE EDICION

4 REVISION A



INSTRUMENTS

OCTOBER 1989

END LIST OF PARTS - TURN THIS PAGE

FIN DE LA LISTE DES PIÈCES - VOIR AU VERSO

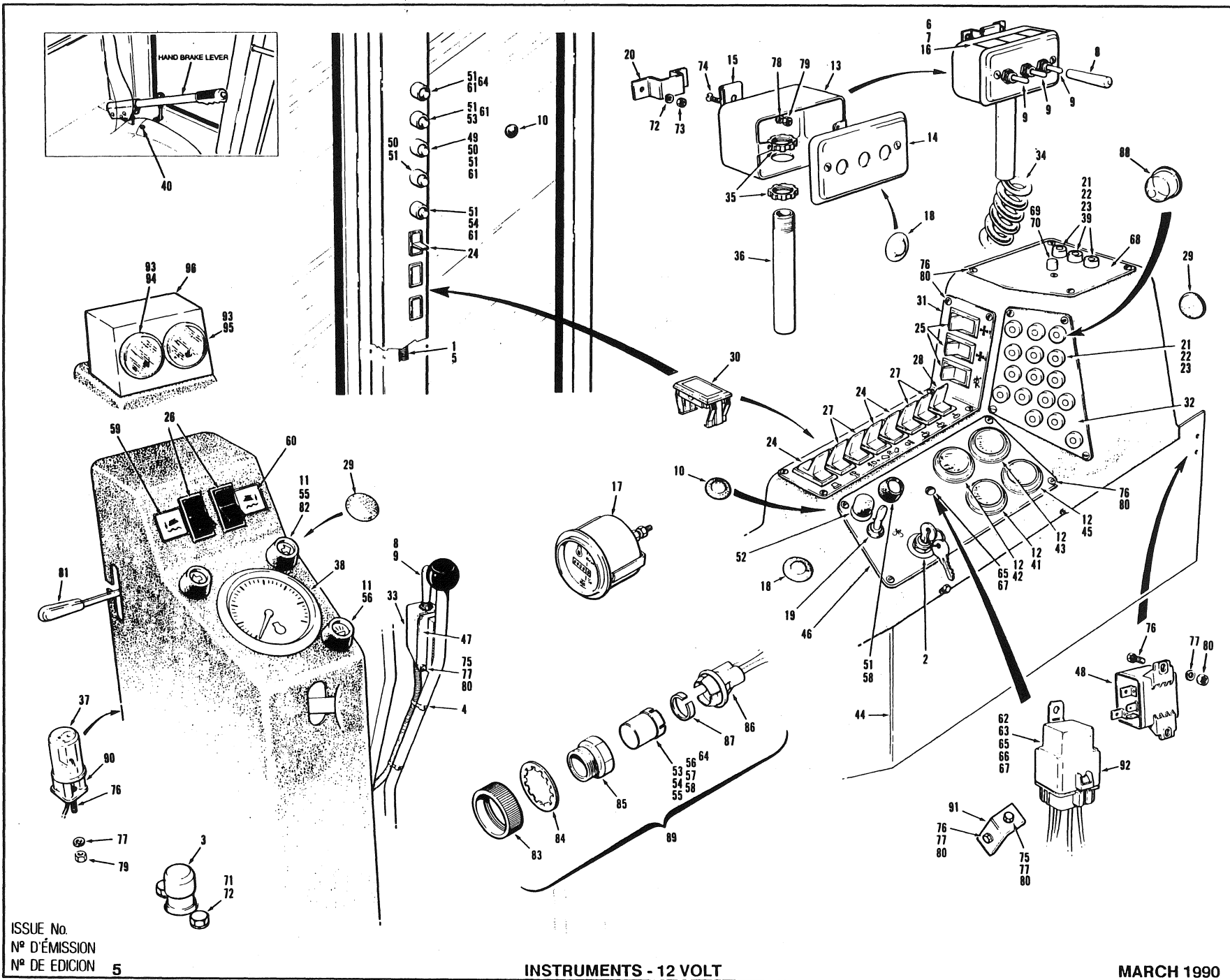
DADA LA LISTA DE LAS PIEZAS - VER AL VERSO

USE ONLY CHAMPION ROAD MACHINERY APPROVED PARTS

| SECTION<br>SECCION |  | 10  | PAGE<br>PAGINA | 2 | ISSUE No.<br>N° D'ÉMISSION<br>N° DE EDICION | 4 REVISION A                  | INSTRUMENTS     |  |  |                                | OCTOBER 1989                  |
|--------------------|--|---|----------------|---|---|-------------------------------|-----------------|--|--|--------------------------------|-------------------------------|
| No.<br>N°<br>N°    | PART No.<br>N° DE PIÈCE<br>N° DE PIEZA | DESCRIPTION<br>DÉSCRIPTION<br>DESCRIPCION |                |   | No. REQ.<br>N° REQ.<br>N° REQ.              | REMARKS<br>REMARQUES<br>NOTAS | No.<br>N°<br>N° | PART No.<br>N° DE PIECE<br>N° DE PIEZA | DESCRIPTION<br>DÉSCRIPTION<br>DESCRIPCION                | No. REQ.<br>N° REQ.<br>N° REQ. | REMARKS<br>REMARQUES<br>NOTAS |
| 1                  | 140-1                                  | WIRE - 14 GA.                             |                |   | A.R.  |                               | 51              | 49094                                  | BUZZ LITE INDICATOR                                      | A.R.                           |                               |
| 2                  | 5618                                   | IGNITION SWITCH & KEYS                    |                |   | 1   |                               | 52              | 49262                                  | HORN BUTTON  | 1                              |                               |
| 3                  | 7120                                   | DIMMER SWITCH                             |                |   | 1   |                               | 53              | 49347                                  | LENS - AMBER   | 1                              |                               |
| 4                  | 15774                                  | PLASTIC TIE                               |                |   | A.R.  |                               | 54              | 49348                                  | LENS - DIFFERENTIAL                                      | 1                              |                               |
| 5                  | 17536                                  | CONDUIT                                   |                |   | A.R.  |                               | 55              | 49349                                  | LENS - TURN SIGNAL                                       | 2                              |                               |
| 6                  | 17796                                  | DECAL - WINDROW ELIMINATOR                |                |   | 1   |                               | 56              | 49350                                  | LENS - HIGH BEAM   | 1                              |                               |
| 7                  | 17797                                  | DECAL - RIPPER                            |                |   | 1   |                               | 57              | 49351                                  | LENS - RED - TRANSMISSION PRESSURE                       | 1                              |                               |
| 8                  | 17924                                  | HANDLE                                    |                |   | A.R.  |                               | 58              | 49352                                  | LENS - RED - ENGINE WARNING                              | 1                              |                               |
| 9                  | 17925                                  | SWITCH                                    |                |   | A.R.  |                               | 59              | 49481                                  | DECAL - L.H. - FLOAT                                     | 1                              |                               |
| 10                 | 18012                                  | PLUG                                      |                |   | A.R.  |                               | 60              | 49482                                  | DECAL - R.H. - FLOAT                                     | 1                              |                               |
| 11                 | 18790                                  | BULB                                      |                |   | A.R.  |                               | 61              | 49629                                  | BULB - 12 VOLT   | A.R.                           |                               |
| 12                 | 18075                                  | BULB                                      |                |   | A.R.  |                               | 62              | 51152                                  | TRANSMISSION RELAY HARNESS C/W ITEM 91                   | 1                              |                               |
| 13                 | 19884                                  | SWITCH BOX                                |                |   | 1   |                               | 63              | 51153                                  | NEUTRAL START RELAY HARNESS C/W ITEM 91                  | 1                              |                               |
| 14                 | 19885                                  | LID - C/W SCREWS                          |                |   | 1   |                               | 64              | 51213                                  | LENS - PARKING BRAKE                                     | 1                              |                               |
| 15                 | 19939                                  | CLIP                                      |                |   | 1   |                               | 65              | 51223                                  | BACK-UP RELAY HARNESS C/W ITEM 91                        | 1                              |                               |
| 16                 | 23008                                  | DECAL - WING CONTROLS                     |                |   | 1   |                               | 66              | 51565                                  | PARKING BRAKE RELAY HARNESS C/W ITEM 91                  | 1                              |                               |
| 17                 | 23083                                  | HOURMETER                                 |                |   | 1   |                               | 67              | 52081                                  | DIFFERENTIAL LOCK RELAY HARNESS C/W ITEM 91              | 1                              |                               |
| 18                 | 23121                                  | PLUG                                      |                |   | A.R.  |                               | 68              | 53029                                  | UPPER PANEL  | 1                              |                               |
| 19                 | 23122                                  | SWITCH - COLD START                       |                |   | 1   |                               | 69              | 53046                                  | CIRCUIT BREAKER - 25 AMP                                 | 1                              |                               |
| 20                 | 23123                                  | BRACKET                                   |                |   | 1   |                               | 70              | 53047                                  | CIRCUIT BREAKER - 30 AMP                                 | 1                              |                               |
| 21                 | 27352                                  | CIRCUIT BREAKER - 4 AMP.                  |                |   | A.R.  |                               | 71              | 50A-0404                               | BOLT   | 2                              |                               |
| 22                 | 27353                                  | CIRCUIT BREAKER - 8 AMP.                  |                |   | A.R.  |                               | 72              | 14A-04                                 | LOCKWASHER   | 2                              |                               |
| 23                 | 23754                                  | CIRCUIT BREAKER - 15 AMP.                 |                |   | A.R.  |                               | 73              | 30A-04                                 | NUT  | 2                              |                               |
| 24                 | 28700                                  | SWITCH - 2 POSITION                       |                |   | A.R.  |                               | 74              | 52H-0604                               | SCREW  | 1                              |                               |
| 25                 | 28701                                  | SWITCH - 3 POSITION                       |                |   | A.R.  |                               | 75              | 52L-0804                               | SCREW  | A.R.                           |                               |
| 26                 | 28718                                  | SWITCH - FLOAT VALVE                      |                |   | A.R.  |                               | 76              | 52L-0808                               | SCREW  | A.R.                           |                               |
| 27                 | 28720                                  | SWITCH - 3 POSITION                       |                |   | A.R.  |                               | 77              | 14F-08                                 | LOCKWASHER   | A.R.                           |                               |
| 28                 | 28721                                  | SWITCH - 2 POSITION MOMENTARY             |                |   | A.R.  |                               | 78              | 14F-06                                 | STARWASHER   | 1                              |                               |
| 29                 | 28748                                  | PLUG                                      |                |   | A.R.  |                               | 79              | 32A-06                                 | NUT  | 3                              |                               |
| 30                 | 28749                                  | PLUG                                      |                |   | A.R.  |                               | 80              | 46A-08                                 | NUT  | A.R.                           |                               |
| 31                 | 28879                                  | SWITCH PANEL                              |                |   | 1   |                               | 81              | 40963                                  | SWITCH   | A.R.                           |                               |
| 32                 | 28880                                  | LOWER PANEL                               |                |   | 1   |                               | 82              | 49630                                  | LIGHT INDICATOR ASSEMBLY<br>- INCLUDES ITEMS 83, 84 & 85 | A.R.                           |                               |
| 33                 | 28962                                  | HOLDER                                    |                |   | 1   |                               | 83              |  | SHROUD   | 1                              |                               |
| 34                 | 32372                                  | COIL CORD                                 |                |   | 1   |                               | 84              |  | WASHER   | 1                              |                               |
| 35                 | 32412                                  | LOCKNUT                                   |                |   | 2   |                               | 85              |  | BODY   | 1                              |                               |
| 36                 | 32577                                  | HANDLE                                    |                |   | 1   |                               | 86              |  | WIRES  | 1                              |                               |
| 37                 | 32752                                  | FLASHER UNIT                              |                |   | 1   |                               | 87              | 49754                                  | CAP - PLASTIC  | A.R.                           |                               |
| 38                 | 34055                                  | TACHOMETER                                |                |   | 1   |                               | 88              | 49295                                  | LIGHT INDICATOR ASSEMBLY<br>- INCLUDES ITEMS 83 TO 86    | A.R.                           |                               |
| 39                 | 34074                                  | CIRCUIT BREAKER - 8 AMP.                  |                |   | A.R.  |                               | 89              | 51334                                  | RECEPTACLE   | 1                              |                               |
| 40                 | 34845                                  | SWITCH - PARKING BRAKE                    |                |   | 1   |                               | 90              | 33239-2                                | BRACKET  | 1                              |                               |
| 41                 | 36733                                  | VOLTMETER                                 |                |   | 1   |                               | 91              | *55213                                 | RELAY  | A.R.                           | REPAIR<br>PART                |
| 42                 | 36734                                  | GAUGE - COOLANT TEMPERATURE               |                |   | 1   |                               |                 |  |  |                                |                               |
| 43                 | 36735                                  | GAUGE - ENGINE OIL PRESSURE               |                |   | 1   |                               |                 |  |  |                                |                               |
| 44                 | 40098                                  | BOX                                       |                |   | 1   |                               |                 |  |  |                                |                               |
| 45                 | 40127                                  | GAUGE - FUEL LEVEL                        |                |   | 1   |                               |                 |  |  |                                |                               |
| 46                 | 40517                                  | GAUGE - PANEL                             |                |   | 1   |                               |                 |  |  |                                |                               |
| 47                 | 48729                                  | BRACKET                                   |                |   | 1   |                               |                 |  |  |                                |                               |
| 48                 | 48909                                  | RELAY SWITCH - DRUM BRAKES                |                |   | 1   |                               |                 |  |  |                                |                               |
| 49                 | 49079                                  | LENS                                      |                |   | 1   |                               |                 |  |  |                                |                               |
| 50                 | 49080                                  | LENS                                      |                |   | 1   | DRUM<br>BRAKES                |                 |  |  |                                |                               |
|                    |  |   |                |   | 2   | O.D.<br>BRAKES                |                 |  |  |                                |                               |



CHAMPION ROAD MACHINERY



EFFECTIVE SERIAL NUMBERS)  
 NUMEROS) DE SERIE EFFECTIFS)  
 NUMEROS) DE SERIE EFFECTIVOS)

20265 & UP

700 SERIES  
 SERIE 700

SECTION 10 PAGE  
 SECCION 10 PAGINA

1

ISSUE No.  
 N° D'ÉMISSION  
 N° DE EDICION 5

INSTRUMENTS - 12 VOLT

MARCH 1990

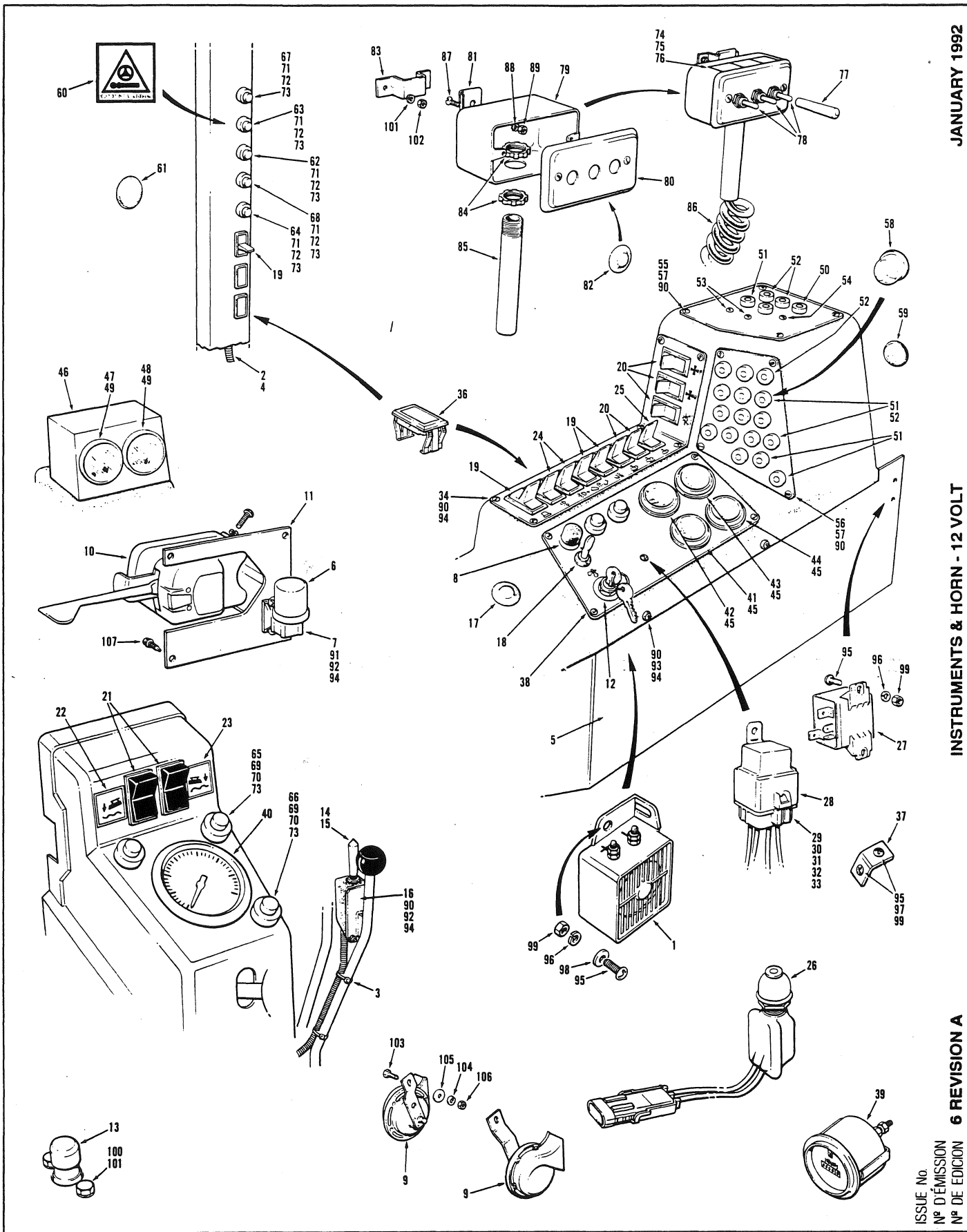
FOR LIST OF PARTS - TURN THIS PAGE

POUR LA LISTE DES PIÈCES - VOIR AU VERSO

PARA LA LISTA DE LAS PIEZAS - VER AL VERSO

USE ONLY CHAMPION APPROVED PARTS

| SECTION<br>SECCION |  | PAGE<br>PAGINA                            |                                | ISSUE No.<br>N° D'ÉMISSION<br>N° DE EDICION |                 | INSTRUMENTS 12 - VOLT                  |  |                                | MARCH 1990                    |  |
|--------------------|--|---|--------------------------------|---|-----------------|--|--|--------------------------------|-------------------------------|--|
| No.<br>N°<br>N°    | PART No.<br>N° DE PIÈCE<br>N° DE PIEZA | DESCRIPTION<br>DESCRIPTION<br>DESCRIPCION | No. REQ.<br>N° REQ.<br>N° REQ. | REMARKS<br>REMARQUES<br>NOTAS               | No.<br>N°<br>N° | PART No.<br>N° DE PIÈCE<br>N° DE PIEZA | DESCRIPTION<br>DESCRIPTION<br>DESCRIPCION                | No. REQ.<br>N° REQ.<br>N° REQ. | REMARKS<br>REMARQUES<br>NOTAS |  |
| 1                  | 140-1                                  | WIRE - 14 GA.                             | A.R.                           |   | 51              | 49094                                  | BUZZ LITE INDICATOR                                      | A.R.                           |                               |  |
| 2                  | 5618                                   | IGNITION SWITCH & KEYS                    | 1                              |   | 52              | 49262                                  | HORN BUTTON  | 1                              |                               |  |
| 3                  | 7120                                   | DIMMER SWITCH                             | 1                              |   | 53              | 49347                                  | LENS - AMBER   | 1                              |                               |  |
| 4                  | 15774                                  | PLASTIC TIE                               | A.R.                           |   | 54              | 49348                                  | LENS - DIFFERENTIAL                                      | 1                              |                               |  |
| 5                  | 17536                                  | CONDUIT                                   | A.R.                           |   | 55              | 49349                                  | LENS - TURN SIGNAL                                       | 2                              |                               |  |
| 6                  | 17796                                  | DECAL - WINDROW ELIMINATOR                | 1                              |   | 56              | 49350                                  | LENS - HIGH BEAM   | 1                              |                               |  |
| 7                  | 17797                                  | DECAL - RIPPER                            | 1                              |   | 57              | 49351                                  | LENS - RED - TRANSMISSION PRESSURE                       | 1                              |                               |  |
| 8                  | 17924                                  | HANDLE                                    | A.R.                           |   | 58              | 49352                                  | LENS - RED - ENGINE WARNING                              | 1                              |                               |  |
| 9                  | 17925                                  | SWITCH                                    | A.R.                           |   | 59              | 49481                                  | DECAL - L.H. - FLOAT                                     | 1                              |                               |  |
| 10                 | 18012                                  | PLUG                                      | A.R.                           |   | 60              | 49482                                  | DECAL - R.H. - FLOAT                                     | 1                              |                               |  |
| 11                 | 18790                                  | BULB                                      | A.R.                           |   | 61              | 49629                                  | BULB - 12 VOLT   | A.R.                           |                               |  |
| 12                 | 19075                                  | BULB                                      | A.R.                           |   | 62              | 51152                                  | TRANSMISSION RELAY HARNESS C/W ITEM 92                   | 1                              |                               |  |
| 13                 | 19884                                  | SWITCH BOX                                | 1                              |   | 63              | 51153                                  | NEUTRAL START RELAY HARNESS C/W ITEM 92                  | 1                              |                               |  |
| 14                 | 19885                                  | LID - C/W SCREWS                          | 1                              |   | 64              | 51213                                  | LENS - PARKING BRAKE                                     | 1                              |                               |  |
| 15                 | 19939                                  | CLIP                                      | 1                              |   | 65              | 51223                                  | BACK-UP RELAY HARNESS C/W ITEM 92                        | 1                              |                               |  |
| 16                 | 23008                                  | DECAL - WING CONTROLS                     | 1                              |   | 66              | 51565                                  | PARKING BRAKE RELAY HARNESS C/W ITEM 92                  | 1                              |                               |  |
| 17                 | 23083                                  | HOURLY METER                              | 1                              |   | 67              | 52081                                  | DIFFERENTIAL LOCK RELAY HARNESS C/W ITEM 92              | 1                              |                               |  |
| 18                 | 23121                                  | PLUG                                      | A.R.                           |   | 68              | 53029                                  | UPPER PANEL  | 1                              |                               |  |
| 19                 | 23122                                  | SWITCH - COLD START                       | 1                              |   | 69              | 53046                                  | CIRCUIT BREAKER - 25 AMP                                 | 1                              |                               |  |
| 20                 | 23123                                  | BRACKET                                   | 1                              |   | 70              | 53047                                  | CIRCUIT BREAKER - 30 AMP                                 | 1                              |                               |  |
| 21                 | 27352                                  | CIRCUIT BREAKER - 4 AMP.                  | A.R.                           |   | 71              | 50A-0404                               | BOLT   | 2                              |                               |  |
| 22                 | 27353                                  | CIRCUIT BREAKER - 8 AMP.                  | A.R.                           |   | 72              | 14A-04                                 | LOCKWASHER   | 2                              |                               |  |
| 23                 | 23754                                  | CIRCUIT BREAKER - 15 AMP.                 | A.R.                           |   | 73              | 30A-04                                 | NUT  | 2                              |                               |  |
| 24                 | 28700                                  | SWITCH - 2 POSITION                       | A.R.                           |   | 74              | 52H-0604                               | SCREW  | 1                              |                               |  |
| 25                 | 28701                                  | SWITCH - 3 POSITION                       | A.R.                           |   | 75              | 52L-0804                               | SCREW  | A.R.                           |                               |  |
| 26                 | 28718                                  | SWITCH - FLOAT VALVE                      | A.R.                           |   | 76              | 52L-0808                               | SCREW  | A.R.                           |                               |  |
| 27                 | 28720                                  | SWITCH - 3 POSITION                       | A.R.                           |   | 77              | 14F-08                                 | LOCKWASHER   | A.R.                           |                               |  |
| 28                 | 28721                                  | SWITCH - 2 POSITION MOMENTARY             | A.R.                           |   | 78              | 14F-06                                 | STARWASHER   | 1                              |                               |  |
| 29                 | 28748                                  | PLUG                                      | A.R.                           |   | 79              | 32A-06                                 | NUT  | 3                              |                               |  |
| 30                 | 28749                                  | PLUG                                      | A.R.                           |   | 80              | 46A-08                                 | NUT  | A.R.                           |                               |  |
| 31                 | 28879                                  | SWITCH PANEL                              | 1                              |   | 81              | *55179                                 | SWITCH   | A.R.                           |                               |  |
| 32                 | 28880                                  | LOWER PANEL                               | 1                              |   | 82              | *54225                                 | LIGHT INDICATOR ASSEMBLY<br>- INCLUDES ITEMS 83, 84 & 85 | A.R.                           |                               |  |
| 33                 | 28962                                  | HOLDER                                    | 1                              |   | 83              |  | SHROUD   | 1                              |                               |  |
| 34                 | 32372                                  | COIL CORD                                 | 1                              |   | 84              |  | WASHER   | 1                              |                               |  |
| 35                 | 32412                                  | LOCKNUT                                   | 2                              |   | 85              |  | BODY   | 1                              |                               |  |
| 36                 | 32577                                  | HANDLE                                    | 1                              |   | 86              |  | WIRES  | 1                              |                               |  |
| 37                 | 32752                                  | FLASHER UNIT                              | 1                              |   | 87              | *34416                                 | FORCE RING   |                                |                               |  |
| 38                 | 34055                                  | TACHOMETER                                | 1                              |   | 88              | 49754                                  | CAP - PLASTIC  | A.R.                           |                               |  |
| 39                 | 34074                                  | CIRCUIT BREAKER - 8 AMP.                  | A.R.                           |   | 89              | *56697                                 | LIGHT INDICATOR ASSEMBLY<br>- INCLUDES ITEMS 83 TO 87    | A.R.                           |                               |  |
| 40                 | 34845                                  | SWITCH - PARKING BRAKE                    | 1                              |   | 90              | 51334                                  | RECEPTACLE   | 1                              |                               |  |
| 41                 | 36733                                  | VOLTMETER                                 | 1                              |   | 91              | 33239-2                                | BRACKET  | 1                              |                               |  |
| 42                 | 36734                                  | GAUGE - COOLANT TEMPERATURE               | 1                              |   | 92              | 55213                                  | RELAY  | A.R.                           | REPAIR<br>PART                |  |
| 43                 | 36735                                  | GAUGE - ENGINE OIL PRESSURE               | 1                              |   |                 |  |  |                                |                               |  |
| 44                 | *55100                                 | BOX                                       | 1                              |   |                 |  |  |                                |                               |  |
| 45                 | 40127                                  | GAUGE - FUEL LEVEL                        | 1                              |   |                 |  |  |                                |                               |  |
| 46                 | 40517                                  | GAUGE - PANEL                             | 1                              |   |                 |  |  |                                |                               |  |
| 47                 | 48729                                  | BRACKET                                   | 1                              |   |                 |  |  |                                |                               |  |
| 48                 | 48909                                  | RELAY SWITCH - DRUM BRAKES                | 1                              |   |                 |  |  |                                |                               |  |
| 49                 | 49079                                  | LENS                                      | 1                              |   | 93              | *9836                                  | BULB - FOR ITEMS 94 & 95                                 | 2                              |                               |  |
| 50                 | 49080                                  | LENS                                      | 1                              | DRUM<br>BRAKES<br>O.D.<br>BRAKES            | 94              | *10075                                 | GAUGE - TEMPERATURE - C/W ITEM 93                        | 1                              |                               |  |
|                    |  |   | 2                              |   | 95              | *16932                                 | GAUGE - CLUTCH PRESSURE - C/W ITEM 93                    | 1                              |                               |  |
|                    |  |   |                                |   | 96              | *34083                                 | GAUGE PANEL  | 1                              |                               |  |
|                    |  |   |                                |   |                 |  | <b>OPTIONAL GAUGES</b>                                   |                                |                               |  |



EFFECTIVE SERIAL NUMBER(S) 20830 to 21397  
 NUMERO(S) DE SÉRIE EFFECTIF(S) INCLUDING 21405,  
 NUMERO(S) DE SERIE EFECTIVO(S) 21406, 21419 & 21420

**700 SERIES**  
**SERIE 700**

**SECTION 10 PAGE 1**  
**SECCION 10 PAGINA 1**

| SECTION<br>SECCION |  | 10  | PAGE<br>PAGINA | 2 | ISSUE No.<br>N° D'ÉMISSION<br>N° DE EDICION | 6 REVISION A                  | INSTRUMENTS & HORN - 12 VOLT |  |   | JANUARY 1992                   |                               |
|--------------------|--|---|----------------|---|---|-------------------------------|------------------------------|--|---|--------------------------------|-------------------------------|
| No.<br>N°<br>N°    | PART No.<br>N° DE PIÈCE<br>N° DE PIEZA | DESCRIPTION<br>DESCRIPTION<br>DESCRIPCION           |                |   | No. REQ.<br>N° REQ.<br>N° REQ.              | REMARKS<br>REMARQUES<br>NOTAS | No.<br>N°<br>N°              | PART No.<br>N° DE PIÈCE<br>N° DE PIEZA | DESCRIPTION<br>DESCRIPTION<br>DESCRIPCION | No. REQ.<br>N° REQ.<br>N° REQ. | REMARKS<br>REMARQUES<br>NOTAS |
| 1                  | 57224                                  | ALARM   |                |   | 1   |                               | 55                           | 57270                                  | UPPER PANEL                               | 1                              |                               |
| 2                  | 140-1                                  | WIRE - 14 GAUGE                                     |                |   | per foot                                    |                               | 56                           | 57272                                  | LOWER PANEL                               | 1                              |                               |
| 3                  | 15774                                  | PLASTIC TIE   |                |   | 6   |                               | 57                           | 57280                                  | NUT                                       | 18                             |                               |
| 4                  | 17536                                  | CONDUIT   |                |   | per foot                                    |                               | 58                           | 49754                                  | CAP                                       | 15                             |                               |
| 5                  | 57221                                  | CONSOLE BOX   |                |   | 1   |                               | 59                           | 28748                                  | PLUG                                      | 1 to 6                         |                               |
| 6                  | 32752                                  | FLASHER   |                |   | 1   |                               |                              |  | <b>WARNING &amp; INDICATOR LIGHTS</b>     |                                |                               |
| 7                  | 51334                                  | RECEPTACLE - FLASHER                                |                |   | 1   |                               | 60                           | 49495                                  | DECAL - SUPPLEMENTAL STEERING             | 1                              |                               |
| 8                  | 49282                                  | HORN BUTTON   |                |   | 1   |                               | 61                           | 18012                                  | PLUG                                      | A.R.                           |                               |
| 9                  | 9685                                   | HORN  |                |   | 1   |                               | 62                           | 49080                                  | LENS - RED - BRAKE WARNING                | 1                              |                               |
|                    |  | <b>SWITCHES &amp; RELAYS</b>                        |                |   |   |                               | 63                           | 49347                                  | LENS - AMBER - SUPPLEMENTAL STEERING      | 1                              |                               |
| 10                 | 55179                                  | SWITCH - TURN SIGNAL/4 WAY FLASHER                  |                |   | 1   |                               | 64                           | 49348                                  | LENS - RED - DIFFERENTIAL                 | 1                              |                               |
| 11                 | 55187                                  | BRACKET   |                |   | 1   |                               | 65                           | 49349                                  | LENS - GREEN - TURN SIGNAL                | 2                              |                               |
| 12                 | 57171                                  | IGNITION SWITCH & KEYS                              |                |   | 1   |                               | 66                           | 49350                                  | LENS - BLUE - HIGH BEAM                   | 1                              |                               |
| 13                 | 7120                                   | DIMMER SWITCH                                       |                |   | 1   |                               | 67                           | 49352                                  | LENS - RED - ENGINE WARNING               | 1                              |                               |
| 14                 | 17924                                  | HANDLE  |                |   | 1   |                               | 68                           | 51213                                  | LENS - RED - HAND BRAKE                   | 1                              |                               |
| 15                 | 17925                                  | SWITCH - ARTICULATION OR ATTACHMENTS                |                |   | 1 to 4                                      |                               | 69                           | 54225                                  | LIGHT INDICATOR ASSEMBLY - NO PIGTAIL     | 4                              |                               |
| 16                 | 48729                                  | BRACKET   |                |   | 1   |                               | 70                           | 18790                                  | BULB                                      | 1 per                          |                               |
| 17                 | 23121                                  | PLUG  |                |   | 1   |                               | 71                           | 56697                                  | LIGHT INDICATOR ASSEMBLY - WITH PIGTAIL   | 3                              |                               |
| 18                 | 23122                                  | SWITCH - COLD START                                 |                |   | 1   |                               | 72                           | 49629                                  | BULB                                      | 1 per                          |                               |
| 19                 | 28700                                  | SWITCH - WING LIGHTS, FLASHER,<br>DIFFERENTIAL LOCK |                |   | 1 to 4                                      |                               | 73                           | 34416                                  | FORCE RING                                | 1 per                          |                               |
| 20                 | 28701                                  | SWITCH - DEFROSTER FANS, HEATER, WIPERS             |                |   | 2 to 5                                      |                               |                              |  | <b>ATTACHMENTS CONTROL SWITCH BOX</b>     |                                |                               |
| 21                 | 28718                                  | SWITCH - FLOAT VALVES                               |                |   | 1   |                               | 74                           | 17796                                  | DECAL - WINDROW ELIMINATOR                | 1                              |                               |
| 22                 | 49481                                  | DECAL - L.H. FLOAT VALVE                            |                |   | 1   |                               | 75                           | 17797                                  | DECAL - RIPPER                            | 1                              |                               |
| 23                 | 49482                                  | DECAL - R.H. FLOAT VALVE                            |                |   | 1   |                               | 76                           | 23008                                  | DECAL - SNOW WING                         | 1                              |                               |
| 24                 | 28720                                  | SWITCH - HEADLIGHTS                                 |                |   | 1   |                               | 77                           | 17924                                  | HANDLE                                    | 1 to 3                         |                               |
| 25                 | 28721                                  | SWITCH - WINDSHIELD WASHER                          |                |   | 1   |                               | 78                           | 17925                                  | SWITCH                                    | 1 to 3                         |                               |
| 26                 | 56775                                  | SWITCH - HAND BRAKE                                 |                |   | 1   |                               | 79                           | 19884                                  | SWITCH BOX                                | 1                              |                               |
| 27                 | 48909                                  | RELAY SWITCH - DRUM BRAKES                          |                |   | 1   |                               | 80                           | 19885                                  | COVER - Includes screws                   | 1                              |                               |
| 28                 | 55213                                  | RELAY   |                |   | 5   |                               | 81                           | 19939                                  | CLIP                                      | 1                              |                               |
| 29                 | 51152                                  | TRANSMISSION RELAY HARNESS                          |                |   | 1   |                               | 82                           | 23121                                  | PLUG                                      | 1 or 2                         |                               |
| 30                 | 51153                                  | NEUTRAL START RELAY HARNESS                         |                |   | 1   |                               | 83                           | 23123                                  | BRACKET                                   | 1                              |                               |
| 31                 | 51223                                  | BACK-UP RELAY HARNESS                               |                |   | 1   |                               | 84                           | 32412                                  | LOCKNUT                                   | 2                              |                               |
| 32                 | 51565                                  | HAND BRAKE RELAY HARNESS                            |                |   | 1   |                               | 85                           | 32577                                  | HANDLE                                    | 1                              |                               |
| 33                 | 52081                                  | DIFFERENTIAL LOCK RELAY HARNESS                     |                |   | 1   |                               | 86                           | 32372                                  | COIL CORD                                 | 1                              |                               |
| 34                 | 57271                                  | SWITCH PANEL  |                |   | 1   |                               | 87                           | 52H-0604                               | SCREW                                     | 1                              |                               |
| 36                 | 28749                                  | PLUG  |                |   | A.R.  |                               | 88                           | 14H-06                                 | STARWASHER                                | 1                              |                               |
| 37                 | 33239-2                                | BRACKET   |                |   | 3   |                               | 89                           | 32A-06                                 | NUT                                       | 1                              |                               |
|                    |  | <b>GAUGES</b>                                       |                |   |   |                               | 90                           | 52J-0804                               | SCREW                                     | 20                             |                               |
| 38                 | 57289                                  | GAUGE PANEL   |                |   | 1   |                               | 91                           | 52J-0808                               | SCREW                                     | 2                              |                               |
| 39                 | 23083                                  | HOURMETER   |                |   | 1   |                               | 92                           | 14F-08                                 | LOCKWASHER                                | 4                              |                               |
| 40                 | 34055                                  | TACHOMETER  |                |   | 1   |                               | 93                           | 14G-08                                 | FLATWASHER                                | 20                             |                               |
| 41                 | 36733                                  | GAUGE - VOLTMETER                                   |                |   | 1   |                               | 94                           | 46A-08                                 | NUT                                       | 10                             |                               |
| 42                 | 36734                                  | GAUGE - COOLANT TEMPERATURE                         |                |   | 1   |                               | 95                           | 52J-1004                               | SCREW                                     | 6                              |                               |
| 43                 | 36735                                  | GAUGE - ENGINE OIL PRESSURE                         |                |   | 1   |                               | 96                           | 14A-03                                 | LOCKWASHER                                | 6                              |                               |
| 44                 | 40127                                  | GAUGE - FUEL LEVEL                                  |                |   | 1   |                               | 97                           | 14F-10                                 | LOCKWASHER                                | 2                              |                               |
| 45                 | 19075                                  | BULB  |                |   | 1 per                                       |                               | 98                           | 14G-10                                 | FLATWASHER                                | 2                              |                               |
|                    |  | <b>OPTIONAL GAUGES</b>                              |                |   |   |                               | 99                           | 32A-10                                 | NUT                                       | 6                              |                               |
| 46                 | 57210                                  | GAUGE PANEL   |                |   | 1   |                               | 100                          | 50A-0404                               | BOLT                                      | 2                              |                               |
| 47                 | 10075                                  | GAUGE - TRANSMISSION CLUTCH PRESSURE                |                |   | 1   |                               | 101                          | 14A-04                                 | LOCKWASHER                                | 4                              |                               |
| 48                 | 16932                                  | GAUGE - TRANSMISSION CLUTCH PRESSURE                |                |   | 1   |                               | 102                          | 30A-04                                 | NUT                                       | 2                              |                               |
| 49                 | 9836                                   | BULB  |                |   | 1 per                                       |                               | 103                          | 50A-0506                               | BOLT                                      | 1                              |                               |
|                    |  | <b>CIRCUIT BREAKERS</b>                             |                |   |   |                               | 104                          | 14A-05                                 | LOCKWASHER                                | 1                              |                               |
| 50                 | 27352                                  | CIRCUIT BREAKER - 6 AMP.                            |                |   | 6   |                               | 105                          | 14C-05                                 | FLATWASHER                                | 1                              |                               |
| 51                 | 27353                                  | CIRCUIT BREAKER - 9 AMP.                            |                |   | 4 or 6                                      |                               | 106                          | 30A-05                                 | NUT                                       | 1                              |                               |
| 52                 | 27354                                  | CIRCUIT BREAKER - 15 AMP.                           |                |   | 9 or 11                                     |                               | 107                          | 62A-1006                               | SCREW                                     | 4                              |                               |
| 53                 | 53046                                  | CIRCUIT BREAKER - 25 AMP.                           |                |   | 2   |                               |                              |  |   |                                |                               |
| 54                 | 53047                                  | CIRCUIT BREAKER - 30 AMP.                           |                |   | 1   |                               |                              |  |   |                                |                               |

CHAMPION ROAD MACHINERY

JANUARY 1992

INSTRUMENTS & HORN - 12 VOLT

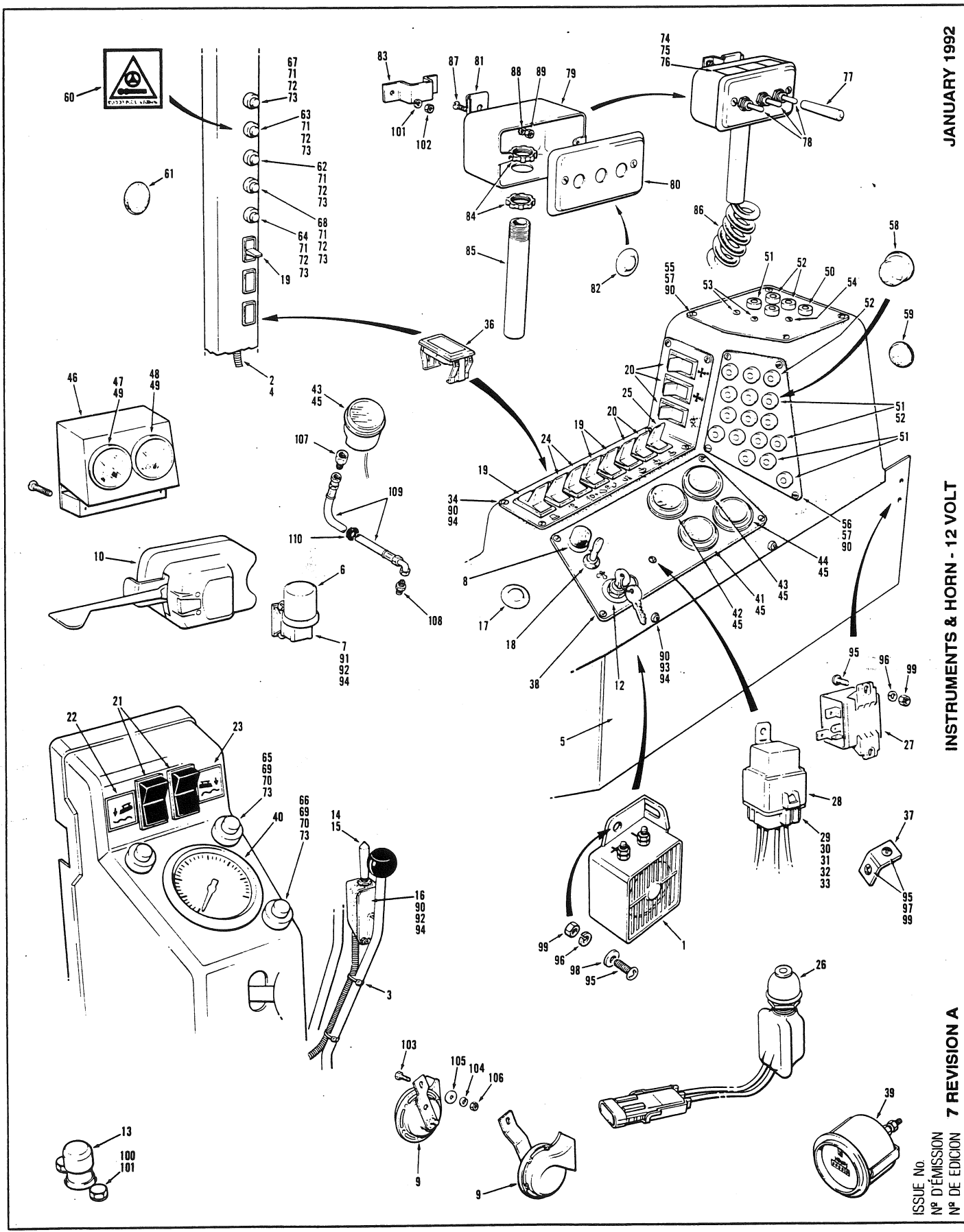
PARA LA LISTA DE LAS PIEZAS - VER AL VERSO

POUR LA LISTE DES PIÈCES - VOIR AU VERSO

FOR LIST OF PARTS - TURN THIS PAGE

7 REVISION A

ISSUE No.  
N° D'ÉMISSION  
N° DE EDICION



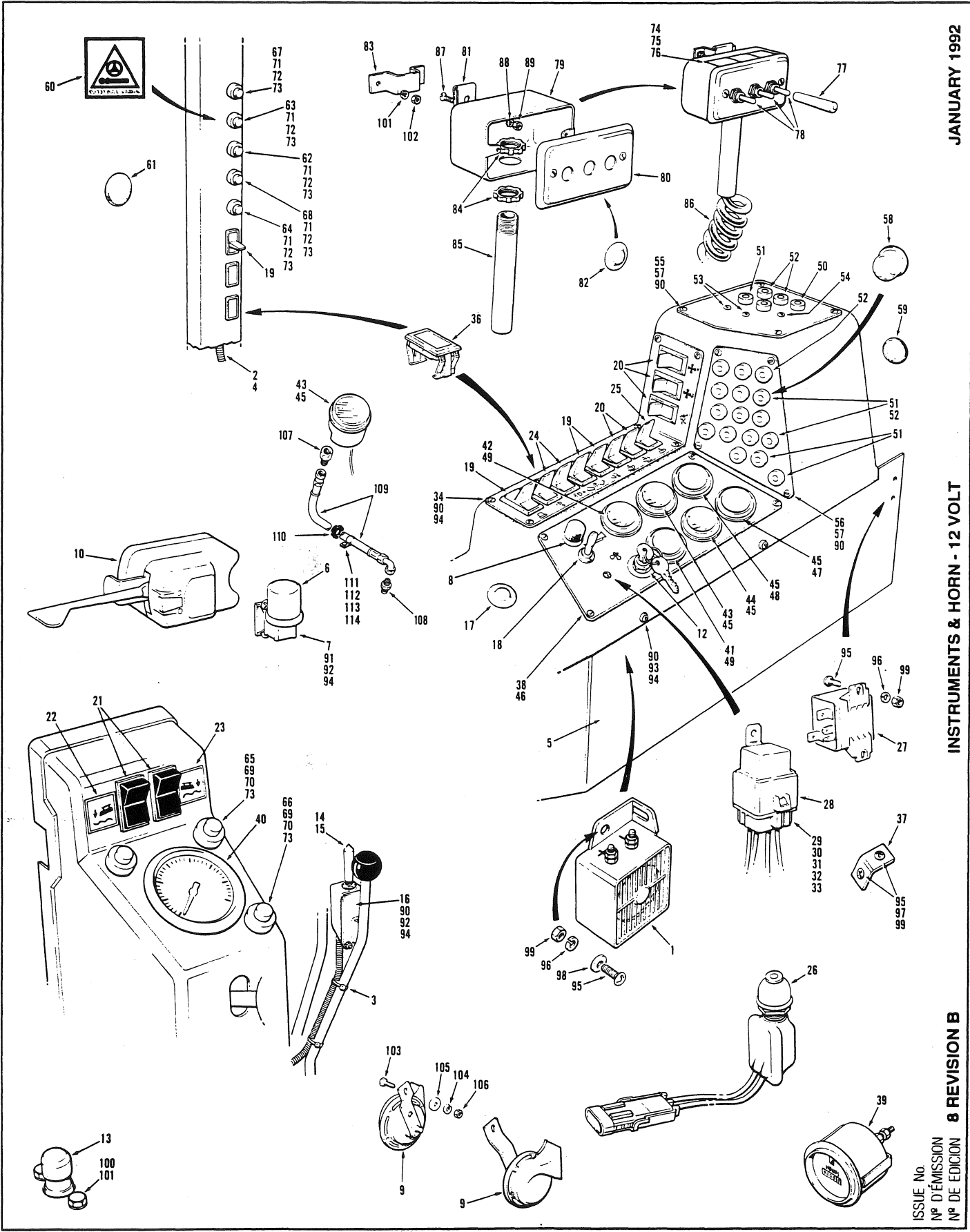
EFFECTIVE SERIAL NUMBER(S) **21398 to 21449**  
 NUMERO(S) DE SÉRIE EFFECTIF(S) **EXCLUDING 21405, 21406,**  
 NUMERO(S) DE SERIE EFECTIVO(S) **21419 & 21420**

**700 SERIES**  
**SERIE 700**

**SECTION 10** **PAGE 1**  
**SECCION 10** **PAGINA 1**

| SECTION 10      |  | PAGE 2                                    | ISSUE No.<br>N° D'ÉMISSION<br>N° DE EDICION | 7 REVISION A                  | INSTRUMENTS & HORN - 12 VOLT |  |   | JANUARY 1992                   |                               |
|-----------------|--|---|---|-------------------------------|------------------------------|--|---|--------------------------------|-------------------------------|
| SECCION 10      |  | PAGINA 2                                  | N° D'ÉMISSION<br>N° DE EDICION              | 7 REVISION A                  | INSTRUMENTS & HORN - 12 VOLT |  |   | JANUARY 1992                   |                               |
| No.<br>N°<br>N° | PART No.<br>N° DE PIÈCE<br>N° DE PIEZA | DESCRIPTION<br>DESCRIPTION<br>DESCRIPCION | No. REQ.<br>N° REQ.<br>N° REQ.              | REMARKS<br>REMARQUES<br>NOTAS | No.<br>N°<br>N°              | PART No.<br>N° DE PIÈCE<br>N° DE PIEZA | DESCRIPTION<br>DESCRIPTION<br>DESCRIPCION | No. REQ.<br>N° REQ.<br>N° REQ. | REMARKS<br>REMARQUES<br>NOTAS |
| 1               | 57224                                  | ALARM                                     | 1   |                               | 55                           | 57270                                  | UPPER PANEL                               | 1                              |                               |
| 2               | 140-1                                  | WIRE - 14 GAUGE                           | per foot                                    |                               | 56                           | 57272                                  | LOWER PANEL                               | 1                              |                               |
| 3               | 15774                                  | PLASTIC TIE                               | 6   |                               | 57                           | 57280                                  | NUT                                       | 18                             |                               |
| 4               | 17536                                  | CONDUIT                                   | per foot                                    |                               | 58                           | 49754                                  | CAP                                       | 15                             |                               |
| 5               | 57221                                  | CONSOLE BOX                               | 1   |                               | 59                           | 28748                                  | PLUG                                      | 1 to 6                         |                               |
| 6               | 32752                                  | FLASHER                                   | 1   |                               |                              |  | <b>WARNING &amp; INDICATOR LIGHTS</b>     |                                |                               |
| 7               | 51334                                  | RECEPTACLE - FLASHER                      | 1   |                               | 60                           | 49495                                  | DECAL - SUPPLEMENTAL STEERING             | 1                              |                               |
| 8               | 49282                                  | HORN BUTTON                               | 1   |                               | 61                           | 18012                                  | PLUG                                      | A.R.                           |                               |
| 9               | 9685                                   | HORN                                      | 1   |                               | 62                           | 49080                                  | LENS - RED - BRAKE WARNING                | 1                              |                               |
|                 |  | <b>SWITCHES &amp; RELAYS</b>              |   |                               | 63                           | 49347                                  | LENS - AMBER - SUPPLEMENTAL STEERING      | 1                              |                               |
| 10              | 55179                                  | SWITCH - TURN SIGNAL/4 WAY FLASHER        | 1   |                               | 64                           | 49348                                  | LENS - RED - DIFFERENTIAL                 | 1                              |                               |
| 12              | 57171                                  | IGNITION SWITCH & KEYS                    | 1   |                               | 65                           | 49349                                  | LENS - GREEN - TURN SIGNAL                | 2                              |                               |
| 13              | 7120                                   | DIMMER SWITCH                             | 1   |                               | 66                           | 49350                                  | LENS - BLUE - HIGH BEAM                   | 1                              |                               |
| 14              | 17924                                  | HANDLE                                    | 1   |                               | 67                           | 49352                                  | LENS - RED - ENGINE WARNING               | 1                              |                               |
| 15              | 17925                                  | SWITCH - ARTICULATION OR ATTACHMENTS      | 1 to 4                                      |                               | 68                           | 51213                                  | LENS - RED - HAND BRAKE                   | 1                              |                               |
| 16              | 48729                                  | BRACKET                                   | 1   |                               | 69                           | 54225                                  | LIGHT INDICATOR ASSEMBLY - NO PIGTAIL     | 4                              |                               |
| 17              | 23121                                  | PLUG                                      | 1   |                               | 70                           | 18790                                  | BULB                                      | 1 per                          |                               |
| 18              | 23122                                  | SWITCH - COLD START                       | 1   |                               | 71                           | 56697                                  | LIGHT INDICATOR ASSEMBLY - WITH PIGTAIL   | 3                              |                               |
| 19              | 28700                                  | SWITCH - WING LIGHTS, FLASHER             | 1 to 4                                      |                               | 72                           | 49629                                  | BULB                                      | 1 per                          |                               |
|                 |  | DIFFERENTIAL LOCK                         |   |                               | 73                           | 34416                                  | FORCE RING                                | 1 per                          |                               |
| 20              | 28701                                  | SWITCH - DEFROSTER FANS, HEATER, WIPERS   | 2 to 5                                      |                               |                              |  | <b>ATTACHMENTS CONTROL SWITCH BOX</b>     |                                |                               |
| 21              | 28718                                  | SWITCH - FLOAT VALVES                     | 1   |                               | 74                           | 17796                                  | DECAL - WINDROW ELIMINATOR                | 1                              |                               |
| 22              | 49481                                  | DECAL - L.H. FLOAT VALVE                  | 1   |                               | 75                           | 17797                                  | DECAL - RIPPER                            | 1                              |                               |
| 23              | 49482                                  | DECAL - R.H. FLOAT VALVE                  | 1   |                               | 76                           | 23008                                  | DECAL - SNOW WING                         | 1                              |                               |
| 24              | 28720                                  | SWITCH - HEADLIGHTS                       | 1   |                               | 77                           | 17924                                  | HANDLE                                    | 1 to 3                         |                               |
| 25              | 28721                                  | SWITCH - WINDSHIELD WASHER                | 1   |                               | 78                           | 17925                                  | SWITCH                                    | 1 to 3                         |                               |
| 26              | 56775                                  | SWITCH - HAND BRAKE                       | 1   |                               | 79                           | 19884                                  | SWITCH BOX                                | 1                              |                               |
| 27              | 48909                                  | RELAY SWITCH - DRUM BRAKES                | 1   |                               | 80                           | 19885                                  | COVER - Includes screws                   | 1                              |                               |
| 28              | 55213                                  | RELAY                                     | 5   |                               | 81                           | 19939                                  | CLIP                                      | 1                              |                               |
| 29              | 51152                                  | TRANSMISSION RELAY HARNESS                | 1   |                               | 82                           | 23121                                  | PLUG                                      | 1 or 2                         |                               |
| 30              | 51153                                  | NEUTRAL START RELAY HARNESS               | 1   |                               | 83                           | 23123                                  | BRACKET                                   | 1                              |                               |
| 31              | 51223                                  | BACK-UP RELAY HARNESS                     | 1   |                               | 84                           | 32412                                  | LOCKNUT                                   | 2                              |                               |
| 32              | 51585                                  | HAND BRAKE RELAY HARNESS                  | 1   |                               | 85                           | 32577                                  | HANDLE                                    | 1                              |                               |
| 33              | 52081                                  | DIFFERENTIAL LOCK RELAY HARNESS           | 1   |                               | 86                           | 32372                                  | COIL CORD                                 | 1                              |                               |
|                 |  | SUPPLEMENTAL STEERING RELAY HARNESS       | 1   |                               | 87                           | 52H-0604                               | SCREW                                     | 1                              |                               |
| 34              | 57216                                  | SWITCH PANEL                              | 1   |                               | 88                           | 14H-06                                 | STARWASHER                                | 1                              |                               |
| 36              | 28749                                  | PLUG                                      | A.R.  |                               | 89                           | 32A-06                                 | NUT                                       | 1                              |                               |
| 37              | 33239-2                                | BRACKET                                   | 3   |                               | 90                           | 52J-0804                               | SCREW                                     | 20                             |                               |
|                 |  | <b>GAUGES</b>                             |   |                               | 91                           | 52J-0808                               | SCREW                                     | 2                              |                               |
| 38              | 57269                                  | GAUGE PANEL                               | 1   |                               | 92                           | 14F-08                                 | LOCKWASHER                                | 4                              |                               |
| 39              | 23083                                  | HOURMETER                                 | 1   |                               | 93                           | 14G-08                                 | FLATWASHER                                | 20                             |                               |
| 40              | 34055                                  | TACHOMETER                                | 1   |                               | 94                           | 46A-08                                 | NUT                                       | 10                             |                               |
| 41              | 36733                                  | GAUGE - VOLTMETER                         | 1   |                               | 95                           | 52J-1004                               | SCREW                                     | 6                              |                               |
| 42              | 36734                                  | GAUGE - COOLANT TEMPERATURE               | 1   |                               | 96                           | 14A-03                                 | LOCKWASHER                                | 6                              |                               |
| 43              | 57788                                  | GAUGE - ENGINE OIL PRESSURE               | 1   |                               | 97                           | 14F-10                                 | LOCKWASHER                                | 2                              |                               |
| 44              | 40127                                  | GAUGE - FUEL LEVEL                        | 1   |                               | 98                           | 14G-10                                 | FLATWASHER                                | 2                              |                               |
| 45              | 19075                                  | BULB                                      | 1 per                                       |                               | 99                           | 32A-10                                 | NUT                                       | 6                              |                               |
|                 |  | <b>OPTIONAL GAUGES</b>                    |   |                               | 100                          | 50A-0404                               | BOLT                                      | 2                              |                               |
| 46              | 57210                                  | GAUGE PANEL                               | 1   |                               | 101                          | 14A-04                                 | LOCKWASHER                                | 4                              |                               |
|                 | 57213                                  | MOUNTING PLATE                            | 1   |                               | 102                          | 30A-04                                 | NUT                                       | 2                              |                               |
|                 | 57728                                  | MOUNT BLOCK                               | 1   |                               | 103                          | 50A-0506                               | BOLT                                      | 1                              |                               |
|                 | 62A-1006                               | SCREW                                     | 4   |                               | 104                          | 14A-05                                 | LOCKWASHER                                | 1                              |                               |
| 47              | 10075                                  | GAUGE - TRANSMISSION TEMPERATURE          | 1   |                               | 105                          | 14C-05                                 | FLATWASHER                                | 1                              |                               |
| 48              | 16932                                  | GAUGE - TRANSMISSION CLUTCH PRESSURE      | 1   |                               | 106                          | 30A-05                                 | NUT                                       | 1                              |                               |
| 49              | 9836                                   | BULB                                      | 1 per                                       |                               |                              |  |   |                                |                               |
|                 |  | <b>CIRCUIT BREAKERS</b>                   |   |                               | 107                          | 110J-0402                              | CONNECTOR                                 | 1                              |                               |
| 50              | 27352                                  | CIRCUIT BREAKER - 6 AMP.                  | 6   |                               | 108                          | 110G-0402                              | CONNECTOR                                 | 1                              |                               |
| 51              | 27353                                  | CIRCUIT BREAKER - 9 AMP.                  | 4 or 6                                      |                               | 109                          | 52086 x 116                            | HOSE ASSEMBLY                             | 1                              |                               |
| 52              | 27354                                  | CIRCUIT BREAKER - 15 AMP.                 | 9 or 11                                     |                               | 110                          | 57740                                  | GROMMET                                   | 1                              |                               |
| 53              | 53046                                  | CIRCUIT BREAKER - 25 AMP.                 | 2   |                               |                              |  |   |                                |                               |
| 54              | 53047                                  | CIRCUIT BREAKER - 30 AMP.                 | 1   |                               |                              |  |   |                                |                               |

CHAMPION ROAD MACHINERY



JANUARY 1992

INSTRUMENTS & HORN - 12 VOLT

8 REVISION B

FOR LIST OF PARTS - TURN THIS PAGE PARA LA LISTA DE LAS PIEZAS - VERR AL VERSO

EFFECTIVE SERIAL NUMBER(S)  
 NUMERO(S) DE SERIE EFFECTIF(S)  
 NUMERO(S) DE SERIE EFECTIVO(S)

21450 to 21484, 21487, 21488,  
 21490, 21491, 21492 & 21494

**700 SERIES**  
**SERIE 700**

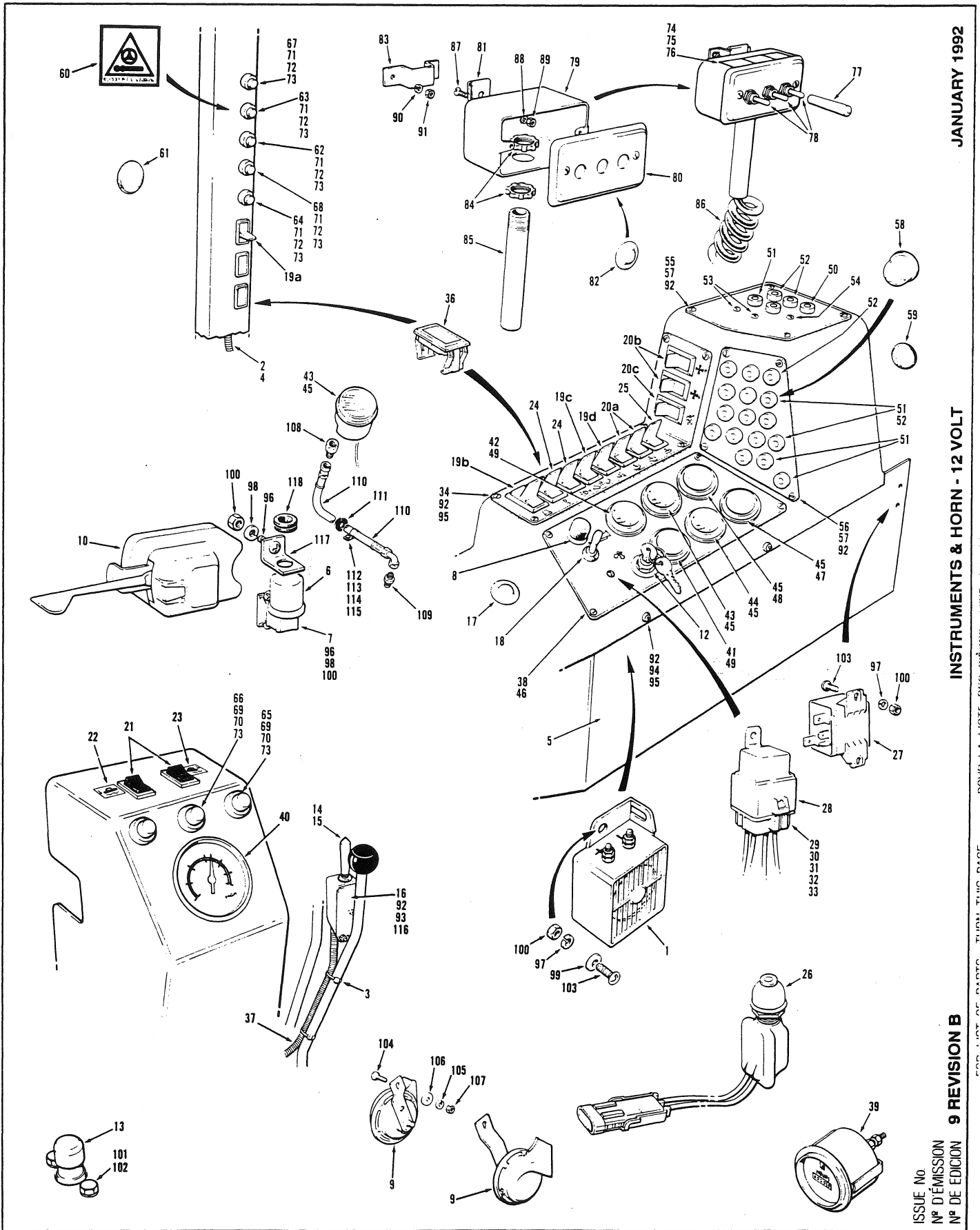
**SECTION 10** **PAGE 1**  
**SECCION 10** **PAGINA 1**

ISSUE No.  
 N° D'ÉMISSION  
 N° DE EDICIÓN

| SECTION 10      |  | PAGE 2  | ISSUE No.<br>N° D'ÉMISSION<br>N° DE EDICION | 8 REVISION B                  | INSTRUMENTS & HORN - 12 VOLT |  |   | JANUARY 1992                   |                               |
|-----------------|--|---|---|-------------------------------|------------------------------|--|---|--------------------------------|-------------------------------|
| No.<br>N°<br>N° | PART No.<br>N° DE PIÈCE<br>N° DE PIEZA | DESCRIPTION<br>DESCRIPTION<br>DESCRIPCION           | No. REQ.<br>N° REQ.<br>N° REQ.              | REMARKS<br>REMARQUES<br>NOTAS | No.<br>N°<br>N°              | PART No.<br>N° DE PIÈCE<br>N° DE PIEZA | DESCRIPTION<br>DESCRIPTION<br>DESCRIPCION | No. REQ.<br>N° REQ.<br>N° REQ. | REMARKS<br>REMARQUES<br>NOTAS |
| 1               | 57224                                  | ALARM   | 1   |                               | 58                           | 49754                                  | CAP                                       | 15                             |                               |
| 2               | 140-1                                  | WIRE - 14 GAUGE                                     | per foot                                    |                               | 59                           | 28748                                  | PLUG                                      | 1 to 6                         |                               |
| 3               | 15774                                  | PLASTIC TIE   | 6   |                               |                              |  | <b>WARNING &amp; INDICATOR LIGHTS</b>     |                                |                               |
| 4               | 17536                                  | CONDUIT   | per foot                                    |                               | 60                           | 49495                                  | DECAL - SUPPLEMENTAL STEERING             | 1                              |                               |
| 5               | 57221                                  | CONSOLE BOX   | 1   |                               | 61                           | 18012                                  | PLUG                                      | A.R.                           |                               |
| 6               | 32752                                  | FLASHER   | 1   |                               | 62                           | 49080                                  | LENS - RED - BRAKE WARNING                | 1                              |                               |
| 7               | 51334                                  | RECEPTACLE - FLASHER                                | 1   |                               | 63                           | 49347                                  | LENS - AMBER - SUPPLEMENTAL STEERING      | 1                              |                               |
| 8               | 49262                                  | HORN BUTTON   | 1   |                               | 64                           | 49348                                  | LENS - RED - DIFFERENTIAL                 | 1                              |                               |
| 9               | 9685                                   | HORN  | 1   |                               | 65                           | 49349                                  | LENS - GREEN - TURN SIGNAL                | 2                              |                               |
|                 |  | <b>SWITCHES &amp; RELAYS</b>                        |   |                               | 66                           | 49350                                  | LENS - BLUE - HIGH BEAM                   | 1                              |                               |
| 10              | 55179                                  | SWITCH - TURN SIGNAL/4 WAY FLASHER                  | 1   |                               | 67                           | 49352                                  | LENS - RED - ENGINE WARNING               | 1                              |                               |
| 12              | 57171                                  | IGNITION SWITCH & KEYS                              | 1   |                               | 68                           | 51213                                  | LENS - RED - HAND BRAKE                   | 1                              |                               |
| 13              | 7120                                   | DIMMER SWITCH                                       | 1   |                               | 69                           | 54225                                  | LIGHT INDICATOR ASSEMBLY - NO PIGTAIL     | 4                              |                               |
| 14              | 17924                                  | HANDLE  | 1   |                               | 70                           | 18790                                  | BULB                                      | 1 per                          |                               |
| 15              | 17925                                  | SWITCH - ARTICULATION OR ATTACHMENTS                | 1 to 4                                      |                               | 71                           | 56697                                  | LIGHT INDICATOR ASSEMBLY - WITH PIGTAIL   | 3                              |                               |
| 16              | 48729                                  | BRACKET   | 1   |                               | 72                           | 49629                                  | BULB                                      | 1 per                          |                               |
| 17              | 23121                                  | PLUG  | 1   |                               | 73                           | 34416                                  | FORCE RING                                | 1 per                          |                               |
| 18              | 23122                                  | SWITCH - COLD START                                 | 1   |                               |                              |  | <b>ATTACHMENTS CONTROL SWITCH BOX</b>     |                                |                               |
| 19              | 28700                                  | SWITCH - WING LIGHTS, FLASHER,<br>DIFFERENTIAL LOCK | 1 to 4                                      |                               | 74                           | 17796                                  | DECAL - WINDROW ELIMINATOR                | 1                              |                               |
| 20              | 28701                                  | SWITCH - DEFROSTER FANS, HEATER, WIPERS             | 2 to 5                                      |                               | 75                           | 17797                                  | DECAL - RIPPER                            | 1                              |                               |
| 21              | 28718                                  | SWITCH - FLOAT VALVES                               | 1   |                               | 76                           | 23008                                  | DECAL - SNOW WING                         | 1                              |                               |
| 22              | 49481                                  | DECAL - L.H. FLOAT VALVE                            | 1   |                               | 77                           | 17924                                  | HANDLE                                    | 1 to 3                         |                               |
| 23              | 49482                                  | DECAL - R.H. FLOAT VALVE                            | 1   |                               | 78                           | 17925                                  | SWITCH                                    | 1 to 3                         |                               |
| 24              | 28720                                  | SWITCH - HEADLIGHTS                                 | 1   |                               | 79                           | 19884                                  | SWITCH BOX                                | 1                              |                               |
| 25              | 28721                                  | SWITCH - WINDSHIELD WASHER                          | 1   |                               | 80                           | 19885                                  | COVER - Includes screws                   | 1                              |                               |
| 26              | 56775                                  | SWITCH - HAND BRAKE                                 | 1   |                               | 81                           | 19939                                  | CLIP                                      | 1                              |                               |
| 27              | 48909                                  | RELAY SWITCH - DRUM BRAKES                          | 1   |                               | 82                           | 23121                                  | PLUG                                      | 1 or 2                         |                               |
| 28              | 55213                                  | RELAY   | 5   |                               | 83                           | 23123                                  | BRACKET                                   | 1                              |                               |
| 29              | 51152                                  | TRANSMISSION RELAY HARNESS                          | 1   |                               | 84                           | 32412                                  | LOCKNUT                                   | 2                              |                               |
| 30              | 51153                                  | NEUTRAL START RELAY HARNESS                         | 1   |                               | 85                           | 32577                                  | HANDLE                                    | 1                              |                               |
| 31              | 51223                                  | BACK-UP RELAY HARNESS                               | 1   |                               | 86                           | 32372                                  | COIL CORD                                 | 1                              |                               |
| 32              | 51565                                  | HAND BRAKE RELAY HARNESS                            | 1   |                               | 87                           | 52H-0604                               | SCREW                                     | 1                              |                               |
| 33              | 52081                                  | DIFFERENTIAL LOCK RELAY HARNESS                     | 1   |                               | 88                           | 14H-06                                 | STARWASHER                                | 1                              |                               |
|                 | 57216                                  | SUPPLEMENTAL STEERING RELAY HARNESS                 | 1   |                               | 89                           | 32A-06                                 | NUT                                       | 1                              |                               |
| 34              | 57271                                  | SWITCH PANEL  | 1   |                               | 90                           | 52J-0804                               | SCREW                                     | 20                             |                               |
| 36              | 28749                                  | PLUG  | A.R.  |                               | 91                           | 52J-0808                               | SCREW                                     | 2                              |                               |
| 37              | 33239-2                                | BRACKET   | 3   |                               | 92                           | 14F-08                                 | LOCKWASHER                                | 4                              |                               |
|                 |  | <b>GAUGES</b>                                       |   |                               | 93                           | 14G-08                                 | FLATWASHER                                | 20                             |                               |
| 38              | 57269                                  | GAUGE PANEL   | 1   |                               | 94                           | 46A-08                                 | NUT                                       | 10                             |                               |
| 39              | 23083                                  | HOURMETER   | 1   |                               | 95                           | 52J-1004                               | SCREW                                     | 6                              |                               |
| 40              | 34055                                  | TACHOMETER  | 1   |                               | 96                           | 14A-03                                 | LOCKWASHER                                | 6                              |                               |
| 41              | 38733                                  | GAUGE - VOLTMETER                                   | 1   |                               | 97                           | 14F-10                                 | LOCKWASHER                                | 2                              |                               |
| 42              | 38734                                  | GAUGE - COOLANT TEMPERATURE                         | 1   |                               | 98                           | 14G-10                                 | FLATWASHER                                | 2                              |                               |
| 43              | 57788                                  | GAUGE - ENGINE OIL PRESSURE                         | 1   |                               | 99                           | 32A-10                                 | NUT                                       | 6                              |                               |
| 44              | 40127                                  | GAUGE - FUEL LEVEL                                  | 1   |                               | 100                          | 50A-0404                               | BOLT                                      | 2                              |                               |
| 45              | 19075                                  | BULB  | 1 per                                       |                               | 101                          | 14A-04                                 | LOCKWASHER                                | 4                              |                               |
|                 |  | <b>OPTIONAL GAUGES</b>                              |   |                               | 102                          | 30A-04                                 | NUT                                       | 2                              |                               |
| 46              | 57725                                  | GAUGE PANEL   | 1   |                               | 103                          | 50A-0506                               | BOLT                                      | 1                              |                               |
| 47              | 57344                                  | GAUGE - TRANSMISSION TEMPERATURE                    | 1   |                               | 104                          | 14A-05                                 | LOCKWASHER                                | 1                              |                               |
| 48              | 57346                                  | GAUGE - TRANSMISSION CLUTCH PRESSURE                | 1   |                               | 105                          | 14C-05                                 | FLATWASHER                                | 1                              |                               |
| 49              | 19075                                  | BULB  | 1 per                                       |                               | 106                          | 30A-05                                 | NUT                                       | 1                              |                               |
|                 |  | <b>CIRCUIT BREAKERS</b>                             |   |                               | 107                          | 110J-0402                              | CONNECTOR                                 | 1                              |                               |
| 50              | 27352                                  | CIRCUIT BREAKER - 6 AMP.                            | 6   |                               | 108                          | 110G-0402                              | CONNECTOR                                 | 1                              |                               |
| 51              | 27353                                  | CIRCUIT BREAKER - 9 AMP.                            | 4 or 6                                      |                               | 109                          | 65214 x 116                            | HOSE ASSEMBLY                             | 1                              |                               |
| 52              | 27354                                  | CIRCUIT BREAKER - 15 AMP.                           | 9 or 11                                     |                               | 110                          | 57740                                  | GROMMET                                   | 1                              |                               |
| 53              | 53046                                  | CIRCUIT BREAKER - 25 AMP.                           | 2   |                               | 111                          | 32316                                  | CLAMP                                     | 1                              |                               |
| 54              | 53047                                  | CIRCUIT BREAKER - 30 AMP.                           | 1   |                               | 112                          | 50A-0406Zi                             | BOLT                                      | 1                              |                               |
| 55              | 57270                                  | UPPER PANEL   | 1   |                               | 113                          | 14A-04Zi                               | LOCKWASHER                                | 1                              |                               |
| 56              | 57272                                  | LOWER PANEL   | 1   |                               | 114                          | 30A-04Zi                               | NUT                                       | 1                              |                               |
| 57              | 57280                                  | NUT   | 18  |                               |                              |  |   |                                |                               |



CHAMPION ROAD MACHINERY



EFFECTIVE SERIAL NUMBER(S) 21485, 21486, 21489,  
 NUMERO(S) DE SÉRIE EFFECTIF(S) 21493, 21495 TO 21910  
 NUMERO(S) DE SERIE EFECTIVO(S)

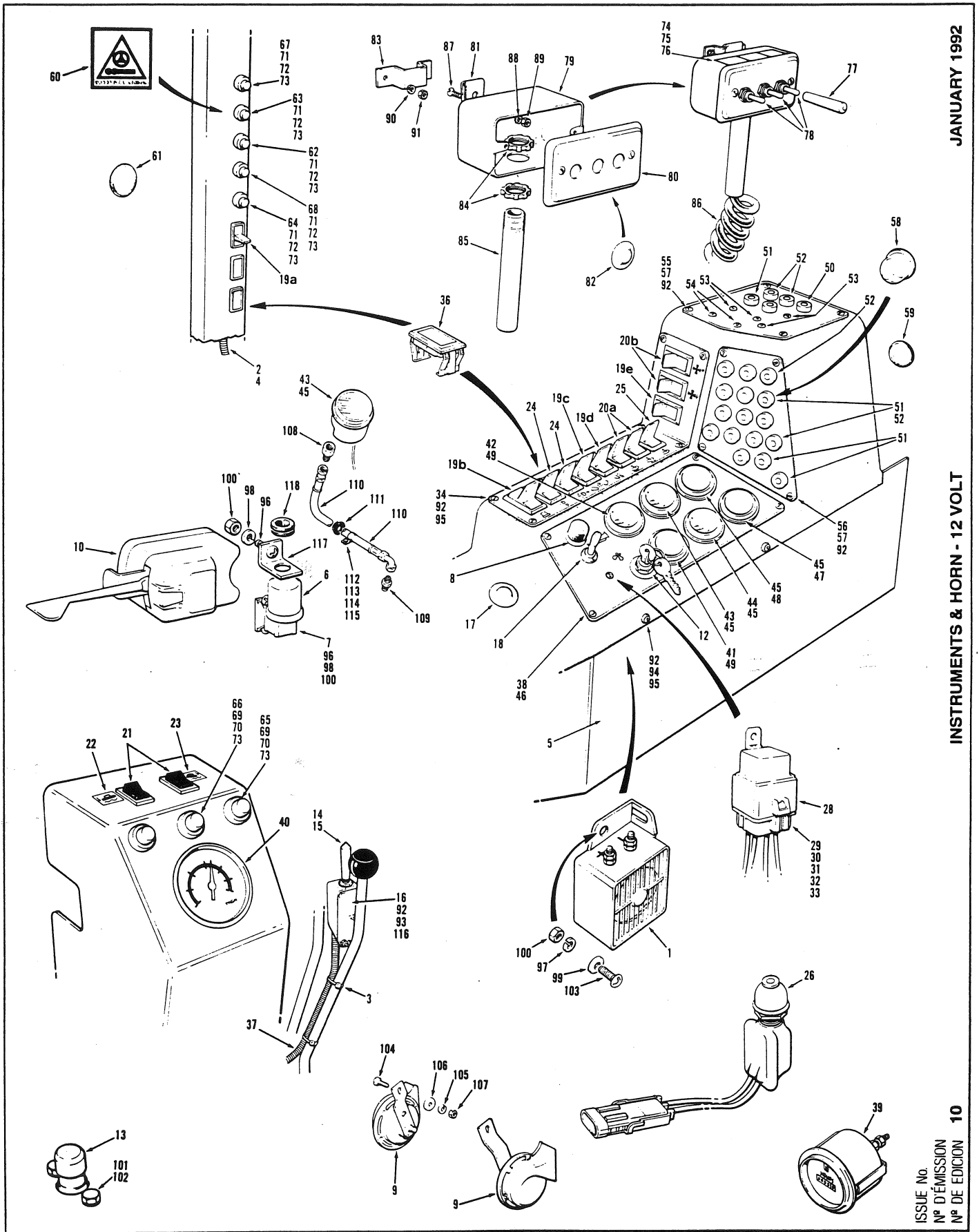
700 SERIES  
 SERIE 700

SECTION 10 PAGE 1  
 SECCION 10 PAGINA 1

ISSUE No  
 N° D'ÉMISSION  
 N° DE EDICIÓN

| SECTION<br>SECCION |  | PAGE<br>PAGINA                            |                                | ISSUE No.<br>N° D'ÉMISSION<br>N° DE EDICION |                 | 9 REVISION B                           |   | INSTRUMENTS & HORN - 12 VOLT   |                               |  | JANUARY 1992 |  |
|--------------------|--|---|--------------------------------|---|-----------------|--|---|--------------------------------|-------------------------------|--|--------------|--|
| No.<br>N°<br>N°    | PART No.<br>N° DE PIÈCE<br>N° DE PIEZA | DESCRIPTION<br>DÉSCRIPTION<br>DESCRIPCION | No. REQ.<br>N° REQ.<br>N° REQ. | REMARKS<br>REMARQUES<br>NOTAS               | No.<br>N°<br>N° | PART No.<br>N° DE PIÈCE<br>N° DE PIEZA | DESCRIPTION<br>DÉSCRIPTION<br>DESCRIPCION | No. REQ.<br>N° REQ.<br>N° REQ. | REMARKS<br>REMARQUES<br>NOTAS |  |              |  |
| 1                  | 57224                                  | ALARM                                     | 1                              |   |                 |  | <b>WARNING &amp; INDICATOR LIGHTS</b>     |                                |                               |  |              |  |
| 2                  | 140-1                                  | WIRE - 14 GAUGE                           | per foot                       |   | 60              | 49495                                  | DECAL - SUPPLEMENTAL STEERING             | 1                              |                               |  |              |  |
| 3                  | 15774                                  | PLASTIC TIE                               | 6                              |   | 61              | 18012                                  | PLUG                                      | A.R.                           |                               |  |              |  |
| 4                  | 17536                                  | CONDUIT                                   | per foot                       |   | 62              | 49080                                  | LENS - RED - BRAKE WARNING                | 1                              |                               |  |              |  |
| 5                  | 57221                                  | CONSOLE BOX                               | 1                              |   | 63              | 49347                                  | LENS - AMBER - SUPPLEMENTAL STEERING      | 1                              |                               |  |              |  |
| 6                  | 32752                                  | FLASHER                                   | 1                              |   | 64              | 49348                                  | LENS - RED - DIFFERENTIAL                 | 1                              |                               |  |              |  |
| 7                  | 51334                                  | RECEPTACLE - FLASHER                      | 1                              |   | 65              | 49349                                  | LENS - GREEN - TURN SIGNAL                | 2                              |                               |  |              |  |
| 8                  | 49262                                  | HORN BUTTON                               | 1                              |   | 66              | 49350                                  | LENS - BLUE - HIGH BEAM                   | 1                              |                               |  |              |  |
| 9                  | 9885                                   | HORN                                      | 1                              |   | 67              | 49352                                  | LENS - RED - ENGINE WARNING               | 1                              |                               |  |              |  |
|                    |  | <b>SWITCHES &amp; RELAYS</b>              |                                |   | 68              | 51213                                  | LENS - RED - HAND BRAKE                   | 1                              |                               |  |              |  |
| 10                 | 55179                                  | SWITCH - TURN SIGNAL/4 WAY FLASHER        | 1                              |   | 69              | 54225                                  | LIGHT INDICATOR ASSEMBLY - NO PIGTAIL     | 4                              |                               |  |              |  |
| 12                 | 57171                                  | IGNITION SWITCH & KEYS                    | 1                              |   | 70              | 18790                                  | BULB                                      | 1 per 3                        |                               |  |              |  |
| 13                 | 7120                                   | DIMMER SWITCH                             | 1                              |   | 71              | 56697                                  | LIGHT INDICATOR ASSEMBLY - WITH PIGTAIL   | 3                              |                               |  |              |  |
| 14                 | 17924                                  | HANDLE                                    | 1                              |   | 72              | 49629                                  | BULB                                      | 1 per                          |                               |  |              |  |
| 15                 | 17925                                  | SWITCH - ARTICULATION OR ATTACHMENTS      | 1 to 4                         |   | 73              | 34416                                  | FORCE RING                                | 1 per                          |                               |  |              |  |
| 16                 | 65106                                  | BRACKET                                   | 1                              |   |                 |  | <b>ATTACHMENTS CONTROL SWITCH BOX</b>     |                                |                               |  |              |  |
| 17                 | 23121                                  | PLUG                                      | 1                              |   | 74              | 17796                                  | DECAL - WINDROW ELIMINATOR                | 1                              |                               |  |              |  |
| 18                 | 23122                                  | SWITCH - COLD START                       | 1                              |   | 75              | 17797                                  | DECAL - RIPPER                            | 1                              |                               |  |              |  |
| 18a                | 28700                                  | SWITCH - LOCK/UNLOCK DIFFERENTIAL         | 1                              |   | 76              | 23008                                  | DECAL - SNOW WING                         | 1                              |                               |  |              |  |
| 18b                | 28700                                  | SWITCH - ROTATING BEACON                  | 1                              |   | 77              | 17924                                  | HANDLE                                    | 1 to 3                         |                               |  |              |  |
| 18c                | 28700                                  | SWITCH - WORK LIGHTS                      | 1                              |   | 78              | 17925                                  | SWITCH                                    | 1 to 3                         |                               |  |              |  |
| 19d                | 28700                                  | SWITCH - REAR FLOODLIGHTS                 | 1                              |   | 79              | 19884                                  | SWITCH BOX                                | 1                              |                               |  |              |  |
| 20a                | 28701                                  | SWITCH - FRONT AND REAR WIPERS            | 2                              |   | 80              | 19885                                  | COVER - Includes screws                   | 1                              |                               |  |              |  |
| 20b                | 28701                                  | SWITCH - FRONT AND REAR DEFROSTERS        | 2                              |   | 81              | 19939                                  | CLIP                                      | 1                              |                               |  |              |  |
| 20c                | 28701                                  | SWITCH - HEATER                           | 1                              |   | 82              | 23121                                  | PLUG                                      | 1 or 2                         |                               |  |              |  |
| 21                 | 28718                                  | SWITCH - FLOAT VALVES                     | 1                              |   | 83              | 23123                                  | BRACKET                                   | 1                              |                               |  |              |  |
| 22                 | 49481                                  | DECAL - L.H. FLOAT VALVE                  | 1                              |   | 84              | 32412                                  | LOCKNUT                                   | 2                              |                               |  |              |  |
| 23                 | 49482                                  | DECAL - R.H. FLOAT VALVE                  | 1                              |   | 85              | 32577                                  | HANDLE                                    | 1                              |                               |  |              |  |
| 24                 | 28720                                  | SWITCH - HEADLIGHTS AND EXTRA HEADLIGHTS  | 2                              |   | 86              | 32372                                  | COIL CORD                                 | 1                              |                               |  |              |  |
| 25                 | 28721                                  | SWITCH - WINDSHIELD WASHER                | 1                              |   | 87              | 52H-0604                               | SCREW                                     | 1                              |                               |  |              |  |
| 26                 | 56775                                  | SWITCH - HAND BRAKE                       | 1                              |   | 88              | 14H-06                                 | STARWASHER                                | 1                              |                               |  |              |  |
| 27                 | 48909                                  | RELAY SWITCH - DRUM BRAKES                | 1                              |   | 89              | 32A-06                                 | NUT                                       | 1                              |                               |  |              |  |
| 28                 | 55213                                  | RELAY                                     | 5                              |   | 90              | 14A-04                                 | LOCKWASHER                                | 2                              |                               |  |              |  |
| 29                 | 51152                                  | TRANSMISSION RELAY HARNESS                | 1                              |   | 91              | 30A-04                                 | NUT                                       | 2                              |                               |  |              |  |
| 30                 | 51153                                  | NEUTRAL START RELAY HARNESS               | 1                              |   | 92              | 52J-0804                               | SCREW                                     | 20                             |                               |  |              |  |
| 31                 | 51223                                  | BACK-UP RELAY HARNESS                     | 1                              |   | 93              | 14F-08                                 | LOCKWASHER                                | 2                              |                               |  |              |  |
| 32                 | 51565                                  | HAND BRAKE RELAY HARNESS                  | 1                              |   | 94              | 14G-08                                 | FLATWASHER                                | 18                             |                               |  |              |  |
| 33                 | 52081                                  | DIFFERENTIAL LOCK RELAY HARNESS           | 1                              |   | 95              | 46A-08                                 | NUT                                       | 10                             |                               |  |              |  |
|                    | 57216                                  | SUPPLEMENTAL STEERING RELAY HARNESS       | 1                              |   | 96              | 52L-1004                               | SCREW                                     | 7                              |                               |  |              |  |
| 34                 | *57271                                 | SWITCH PANEL                              | 1                              |   | 97              | 14A-03                                 | LOCKWASHER                                | 6                              |                               |  |              |  |
| 36                 | 28749                                  | PLUG                                      | A.R.                           |   | 98              | 14F-10                                 | LOCKWASHER                                | 3                              |                               |  |              |  |
| 37                 | 40484                                  | HARNESS - ARTICULATION SWITCH             | 1                              |   | 99              | 14G-10                                 | FLATWASHER                                | 2                              |                               |  |              |  |
|                    |  | <b>GAUGES</b>                             |                                |   | 100             | 32A-10                                 | NUT                                       | 7                              |                               |  |              |  |
| 38                 | 57269                                  | GAUGE PANEL                               | 1                              |   | 101             | 50A-0404                               | BOLT                                      | 2                              |                               |  |              |  |
| 39                 | 23083                                  | HOURMETER                                 | 1                              |   | 102             | 14A-04                                 | LOCKWASHER                                | 2                              |                               |  |              |  |
| 40                 | 57737                                  | TACHOMETER                                | 1                              |   | 103             | 52J-1004                               | SCREW                                     | 7                              |                               |  |              |  |
|                    | 39699                                  | BULB                                      | 1                              |   | 104             | 50A-0506                               | BOLT                                      | 1                              |                               |  |              |  |
| 41                 | 36733                                  | GAUGE - VOLTMETER                         | 1                              |   | 105             | 14A-05                                 | LOCKWASHER                                | 1                              |                               |  |              |  |
| 42                 | 36734                                  | GAUGE - COOLANT TEMPERATURE               | 1                              |   | 106             | 14C-05                                 | FLATWASHER                                | 1                              |                               |  |              |  |
| 43                 | 57788                                  | GAUGE - ENGINE OIL PRESSURE               | 1                              |   | 107             | 30A-05                                 | NUT                                       | 1                              |                               |  |              |  |
| 44                 | 40127                                  | GAUGE - FUEL LEVEL                        | 1                              |   | 108             | 110J-0402                              | CONNECTOR                                 | 1                              |                               |  |              |  |
| 45                 | 19075                                  | BULB                                      | 1 per                          |   | 109             | 110G-0402                              | CONNECTOR                                 | 1                              |                               |  |              |  |
|                    |  | <b>OPTIONAL GAUGES</b>                    |                                |   | 110             | 65214 x 116                            | HOSE ASSEMBLY                             | 1                              |                               |  |              |  |
| 46                 | 57725                                  | GAUGE PANEL                               | 1                              |   | 111             | 26920                                  | GROMMET                                   | 1                              |                               |  |              |  |
| 47                 | 57344                                  | GAUGE - TRANSMISSION TEMPERATURE          | 1                              |   | 112             | 32316                                  | CLAMP                                     | 1                              |                               |  |              |  |
| 48                 | 57348                                  | GAUGE - TRANSMISSION CLUTCH PRESSURE      | 1                              |   | 113             | 50A-0406Zi                             | BOLT                                      | 1                              |                               |  |              |  |
| 49                 | 19075                                  | BULB                                      | 1 per                          |   | 114             | 14A-04Zi                               | LOCKWASHER                                | 1                              |                               |  |              |  |
|                    |  | <b>CIRCUIT BREAKERS</b>                   |                                |   | 115             | 30A-04Zi                               | NUT                                       | 1                              |                               |  |              |  |
| 50                 | 27352                                  | CIRCUIT BREAKER - 8 AMP.                  | 6                              |   | 116             | 65108                                  | NUT                                       | 1                              |                               |  |              |  |
| 51                 | 27353                                  | CIRCUIT BREAKER - 9 AMP.                  | 4 or 6                         |   | 117             | 65321                                  | CLIP                                      | 1                              |                               |  |              |  |
| 52                 | 27354                                  | CIRCUIT BREAKER - 15 AMP.                 | 9 or 11                        |   | 118             | 32437                                  | GROMMET                                   | 1                              |                               |  |              |  |
| 53                 | *53048                                 | CIRCUIT BREAKER - 25 AMP.                 | 1                              |   |                 |  |   |                                |                               |  |              |  |
| 54                 | *53047                                 | CIRCUIT BREAKER - 30 AMP.                 | 1                              |   |                 |  |   |                                |                               |  |              |  |
| 55                 | 57270                                  | UPPER PANEL                               | 1                              |   |                 |  |   |                                |                               |  |              |  |
| 56                 | 57272                                  | LOWER PANEL                               | 1                              |   |                 |  |   |                                |                               |  |              |  |
| 57                 | 57280                                  | NUT                                       | 18                             |   |                 |  |   |                                |                               |  |              |  |
| 58                 | 49754                                  | CAP                                       | 15                             |   |                 |  |   |                                |                               |  |              |  |
| 59                 | 28748                                  | PLUG                                      | 1 to 6                         |   |                 |  |   |                                |                               |  |              |  |

CHAMPION ROAD MACHINERY



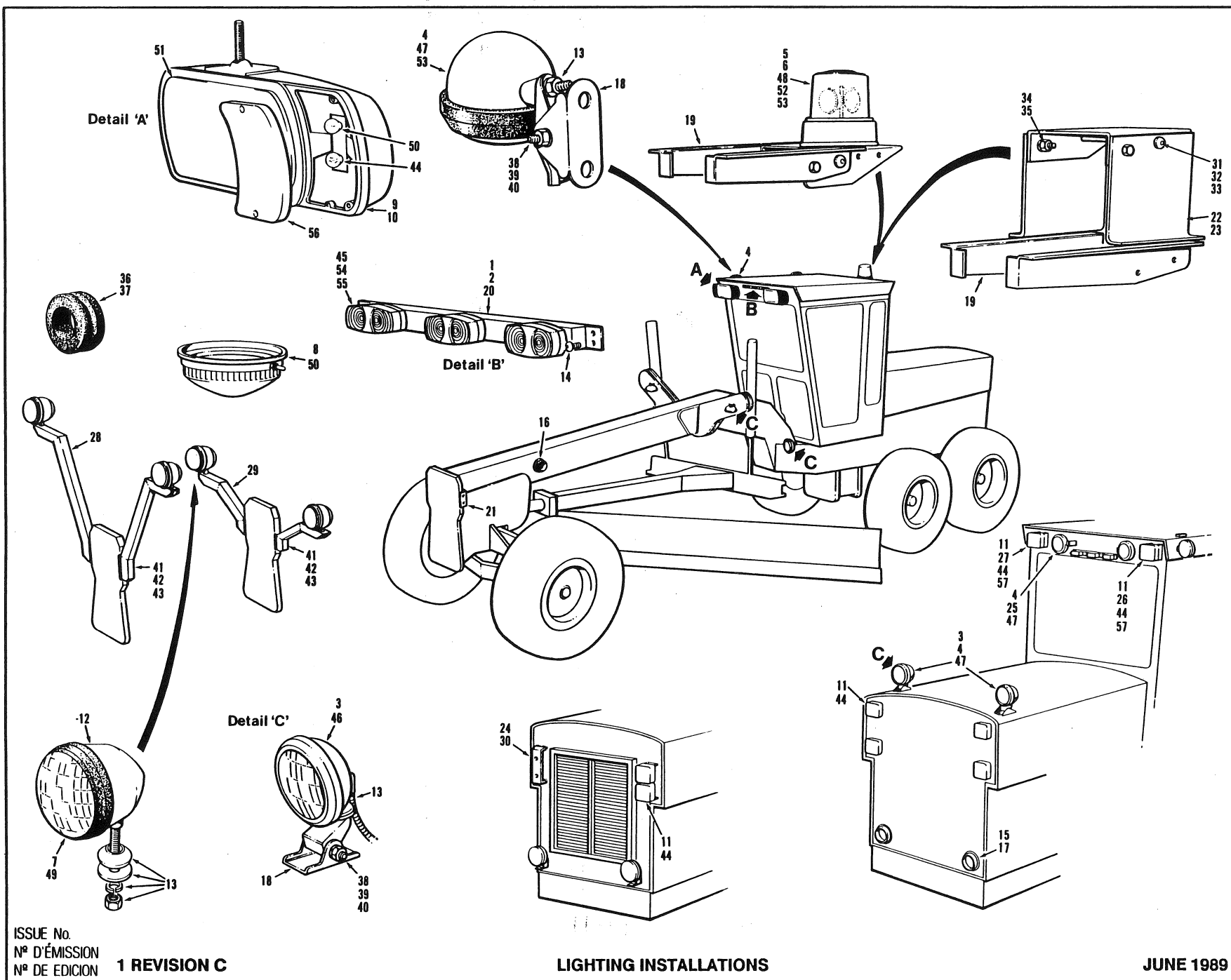
EFFECTIVE SERIAL NUMBER(S) 21911 & UP  
 NUMERO(S) DE SÉRIE EFFECTIF(S)  
 NUMERO(S) DE SERIE EFFECTIVO(S)

700 SERIES  
 SERIE 700

SECTION 10 PAGE 1  
 SECCION 10 PAGINA 1

| SECTION 10  |                                  | PAGE 2                               | ISSUE No. 10             | INSTRUMENTS & HORN - 12 VOLT |           | JANUARY 1992                     |   |                          |                         |
|-------------|----------------------------------|--------------------------------------|--------------------------|------------------------------|-----------|----------------------------------|---|--------------------------|-------------------------|
| No. SECCION | PART No. N° DE PIÉCE N° DE PIEZA | DESCRIPTION DÉSCRIPTION DESCRIPCION  | No. REQ. N° REQ. N° REQ. | REMARKS REMARQUES NOTAS      | No. N° N° | PART No. N° DE PIÉCE N° DE PIEZA | DESCRIPTION DÉSCRIPTION DESCRIPCION     | No. REQ. N° REQ. N° REQ. | REMARKS REMARQUES NOTAS |
| 1           | 57224                            | ALARM                                | 1                        |                              |           |                                  | <b>WARNING &amp; INDICATOR LIGHTS</b>   |                          |                         |
| 2           | 140-1                            | WIRE - 14 GAUGE                      | per foot                 |                              | 60        | 49495                            | DECAL - SUPPLEMENTAL STEERING           | 1                        |                         |
| 3           | 15774                            | PLASTIC TIE                          | 6                        |                              | 61        | 18012                            | PLUG                                    | A.R.                     |                         |
| 4           | 17538                            | CONDUIT                              | per foot                 |                              | 62        | 49080                            | LENS - RED - BRAKE WARNING              | 1                        |                         |
| 5           | 57221                            | CONSOLE BOX                          | 1                        |                              | 63        | 49347                            | LENS - AMBER - SUPPLEMENTAL STEERING    | 1                        |                         |
| 6           | 32752                            | FLASHER                              | 1                        |                              | 64        | 49348                            | LENS - RED - DIFFERENTIAL               | 1                        |                         |
| 7           | 51334                            | RECEPTACLE - FLASHER                 | 1                        |                              | 65        | 49349                            | LENS - GREEN - TURN SIGNAL              | 2                        |                         |
| 8           | 49282                            | HORN BUTTON                          | 1                        |                              | 66        | 49350                            | LENS - BLUE - HIGH BEAM                 | 1                        |                         |
| 9           | 9885                             | HORN                                 | 1                        |                              | 67        | 49352                            | LENS - RED - ENGINE WARNING             | 1                        |                         |
|             |                                  | <b>SWITCHES &amp; RELAYS</b>         |                          |                              | 68        | 51213                            | LENS - RED - HAND BRAKE                 | 1                        |                         |
| 10          | 55179                            | SWITCH - TURN SIGNAL/4 WAY FLASHER   | 1                        |                              | 69        | 54225                            | LIGHT INDICATOR ASSEMBLY - NO PIGTAIL   | 4                        |                         |
| 12          | 57171                            | IGNITION SWITCH & KEYS               | 1                        |                              | 70        | 18790                            | BULB                                    | 1 per                    |                         |
| 13          | 7120                             | DIMMER SWITCH                        | 1                        |                              | 71        | 56697                            | LIGHT INDICATOR ASSEMBLY - WITH PIGTAIL | 3                        |                         |
| 14          | 17924                            | HANDLE                               | 1                        |                              | 72        | 49629                            | BULB                                    | 1 per                    |                         |
| 15          | 17925                            | SWITCH - ARTICULATION OR ATTACHMENTS | 1 to 4                   |                              | 73        | 34416                            | FORCE RING                              | 1 per                    |                         |
| 16          | 65108                            | BRACKET                              | 1                        |                              |           |                                  | <b>ATTACHMENTS CONTROL SWITCH BOX</b>   |                          |                         |
| 17          | 23121                            | PLUG                                 | 1                        |                              | 74        | 17796                            | DECAL - WINDROW ELIMINATOR              | 1                        |                         |
| 18          | 23122                            | SWITCH - COLD START                  | 1                        |                              | 75        | 17797                            | DECAL - RIPPER                          | 1                        |                         |
| 19a         | 28700                            | SWITCH - LOCK/UNLOCK DIFFERENTIAL    | 1                        |                              | 76        | 23008                            | DECAL - SNOW WING                       | 1                        |                         |
| 19b         | 28700                            | SWITCH - ROTATING BEACON             | 1                        |                              | 77        | 17924                            | HANDLE                                  | 1 to 3                   |                         |
| 19c         | 28700                            | SWITCH - WORK LIGHTS                 | 1                        |                              | 78        | 17925                            | SWITCH                                  | 1 to 3                   |                         |
| 19d         | 28700                            | SWITCH - REAR FLOODLIGHTS            | 1                        |                              | 79        | 19884                            | SWITCH BOX                              | 1                        |                         |
| 19e         | *28700                           | SWITCH - LOWER FRONT WIPERS          | 1                        |                              | 80        | 19885                            | COVER - Includes screws                 | 1                        |                         |
| 20a         | 28701                            | SWITCH - FRONT AND REAR WIPERS       | 2                        |                              | 81        | 19939                            | CLIP                                    | 1                        |                         |
| 20b         | 28701                            | SWITCH - FRONT AND REAR DEFROSTERS   | 2                        |                              | 82        | 23121                            | PLUG                                    | 1 or 2                   |                         |
| 21          | 28718                            | SWITCH - FLOAT VALVES                | 1                        |                              | 83        | 23123                            | BRACKET                                 | 1                        |                         |
| 22          | 49481                            | DECAL - L.H. FLOAT VALVE             | 1                        |                              | 84        | 32412                            | LOCKNUT                                 | 2                        |                         |
| 23          | 49482                            | DECAL - R.H. FLOAT VALVE             | 1                        |                              | 85        | 32577                            | HANDLE                                  | 1                        |                         |
| 24          | 28720                            | SWITCH - HEADLIGHTS                  | 1                        |                              | 86        | 32372                            | COIL CORD                               | 1                        |                         |
| 25          | 28721                            | SWITCH - WINDSHIELD WASHER           | 1                        |                              | 87        | 52H-0604                         | SCREW                                   | 1                        |                         |
| 26          | 58775                            | SWITCH - HAND BRAKE                  | 1                        |                              | 88        | 14H-06                           | STARWASHER                              | 1                        |                         |
| 28          | 55213                            | RELAY                                | 5                        |                              | 89        | 32A-06                           | NUT                                     | 1                        |                         |
| 29          | 51152                            | TRANSMISSION RELAY HARNESS           | 1                        |                              | 90        | 14A-04                           | LOCKWASHER                              | 2                        |                         |
| 30          | 51153                            | NEUTRAL START RELAY HARNESS          | 1                        |                              | 91        | 30A-04                           | NUT                                     | 2                        |                         |
| 31          | 51223                            | BACK-UP RELAY HARNESS                | 1                        |                              | 92        | 52J-0804                         | SCREW                                   | 20                       |                         |
| 32          | 51565                            | HAND BRAKE RELAY HARNESS             | 1                        |                              | 93        | 14F-08                           | LOCKWASHER                              | 2                        |                         |
| 33          | 52081                            | DIFFERENTIAL LOCK RELAY HARNESS      | 1                        |                              | 94        | 14G-08                           | FLATWASHER                              | 18                       |                         |
|             | 57216                            | SUPPLEMENTAL STEERING RELAY HARNESS  | 1                        |                              | 95        | 46A-08                           | NUT                                     | 10                       |                         |
| 34          | *65104                           | SWITCH PANEL                         | 1                        |                              | 96        | 52L-1004                         | SCREW                                   | 7                        |                         |
| 36          | 28749                            | PLUG                                 | A.R.                     |                              | 97        | 14A-03                           | LOCKWASHER                              | 6                        |                         |
| 37          | 40484                            | HARNESS - ARTICULATION SWITCH        | 1                        |                              | 98        | 14F-10                           | LOCKWASHER                              | 3                        |                         |
|             |                                  | <b>GAUGES</b>                        |                          |                              | 99        | 14G-10                           | FLATWASHER                              | 2                        |                         |
| 38          | 57269                            | GAUGE PANEL                          | 1                        |                              | 100       | 32A-10                           | NUT                                     | 7                        |                         |
| 39          | 23083                            | HOURLY METER                         | 1                        |                              | 101       | 50A-0404                         | BOLT                                    | 2                        |                         |
| 40          | 57737                            | TACHOMETER                           | 1                        |                              | 102       | 14A-04                           | LOCKWASHER                              | 2                        |                         |
|             | 39699                            | BULB                                 | 1                        |                              | 103       | 52J-1004                         | SCREW                                   | 7                        |                         |
| 41          | 38733                            | GAUGE - VOLTMETER                    | 1                        |                              | 104       | 50A-0506                         | BOLT                                    | 1                        |                         |
| 42          | 38734                            | GAUGE - COOLANT TEMPERATURE          | 1                        |                              | 105       | 14A-05                           | LOCKWASHER                              | 1                        |                         |
| 43          | 57788                            | GAUGE - ENGINE OIL PRESSURE          | 1                        |                              | 106       | 14C-05                           | FLATWASHER                              | 1                        |                         |
| 44          | 40127                            | GAUGE - FUEL LEVEL                   | 1                        |                              | 107       | 30A-05                           | NUT                                     | 1                        |                         |
| 45          | 19075                            | BULB                                 | 1 per                    |                              | 108       | 110J-0402                        | CONNECTOR                               | 1                        |                         |
|             |                                  | <b>OPTIONAL GAUGES</b>               |                          |                              | 109       | 110G-0402                        | CONNECTOR                               | 1                        |                         |
| 46          | 57725                            | GAUGE PANEL                          | 1                        |                              | 110       | 65214 x 116                      | HOSE ASSEMBLY                           | 1                        |                         |
| 47          | 57344                            | GAUGE - TRANSMISSION TEMPERATURE     | 1                        |                              | 111       | 26920                            | GROMMET                                 | 1                        |                         |
| 48          | 57346                            | GAUGE - TRANSMISSION CLUTCH PRESSURE | 1                        |                              | 112       | 32316                            | CLAMP                                   | 1                        |                         |
| 49          | 19075                            | BULB                                 | 1 per                    |                              | 113       | 50A-0406Zi                       | BOLT                                    | 1                        |                         |
|             |                                  | <b>CIRCUIT BREAKERS</b>              |                          |                              | 114       | 14A-04Zi                         | LOCKWASHER                              | 1                        |                         |
| 50          | 27352                            | CIRCUIT BREAKER - 6 AMP.             | 6                        |                              | 115       | 30A-04Zi                         | NUT                                     | 1                        |                         |
| 51          | 27353                            | CIRCUIT BREAKER - 9 AMP.             | 4 or 6                   |                              | 116       | 65108                            | NUT                                     | 1                        |                         |
| 52          | 27354                            | CIRCUIT BREAKER - 15 AMP.            | 9 or 11                  |                              | 117       | 65321                            | CLIP                                    | 1                        |                         |
| 53          | *65435                           | CIRCUIT BREAKER - 25 AMP.            | 2                        |                              | 118       | 32437                            | GROMMET                                 | 1                        |                         |
| 54          | *65436                           | CIRCUIT BREAKER - 30 AMP.            | 1                        |                              |           |                                  |   |                          |                         |
| 55          | 57270                            | UPPER PANEL                          | 1                        |                              |           |                                  |   |                          |                         |
| 56          | 57272                            | LOWER PANEL                          | 1                        |                              |           |                                  |   |                          |                         |
| 57          | 57280                            | NUT                                  | 18                       |                              |           |                                  |   |                          |                         |
| 58          | 49754                            | CAP                                  | 15                       |                              |           |                                  |   |                          |                         |
| 59          | 28748                            | PLUG                                 | 1 to 6                   |                              |           |                                  |   |                          |                         |

CHAMPION ROAD MACHINERY



ISSUE No.  
 N° D'ÉMISSION  
 N° DE EDICION **1 REVISION C**

**LIGHTING INSTALLATIONS**

**JUNE 1989**

FOR LIST OF PARTS - TURN THIS PAGE

POUR LA LISTE DES PIÈCES - VOIR AU VERSO

PARA LA LISTA DE LAS PIEZAS - VER AL VERSO

EFFECTIVE SERIAL NUMBER(S)  
 NUMEROS DE SERIE EFFECTIF(S)  
 NUMEROS DE SERIE EFECTIVOS)

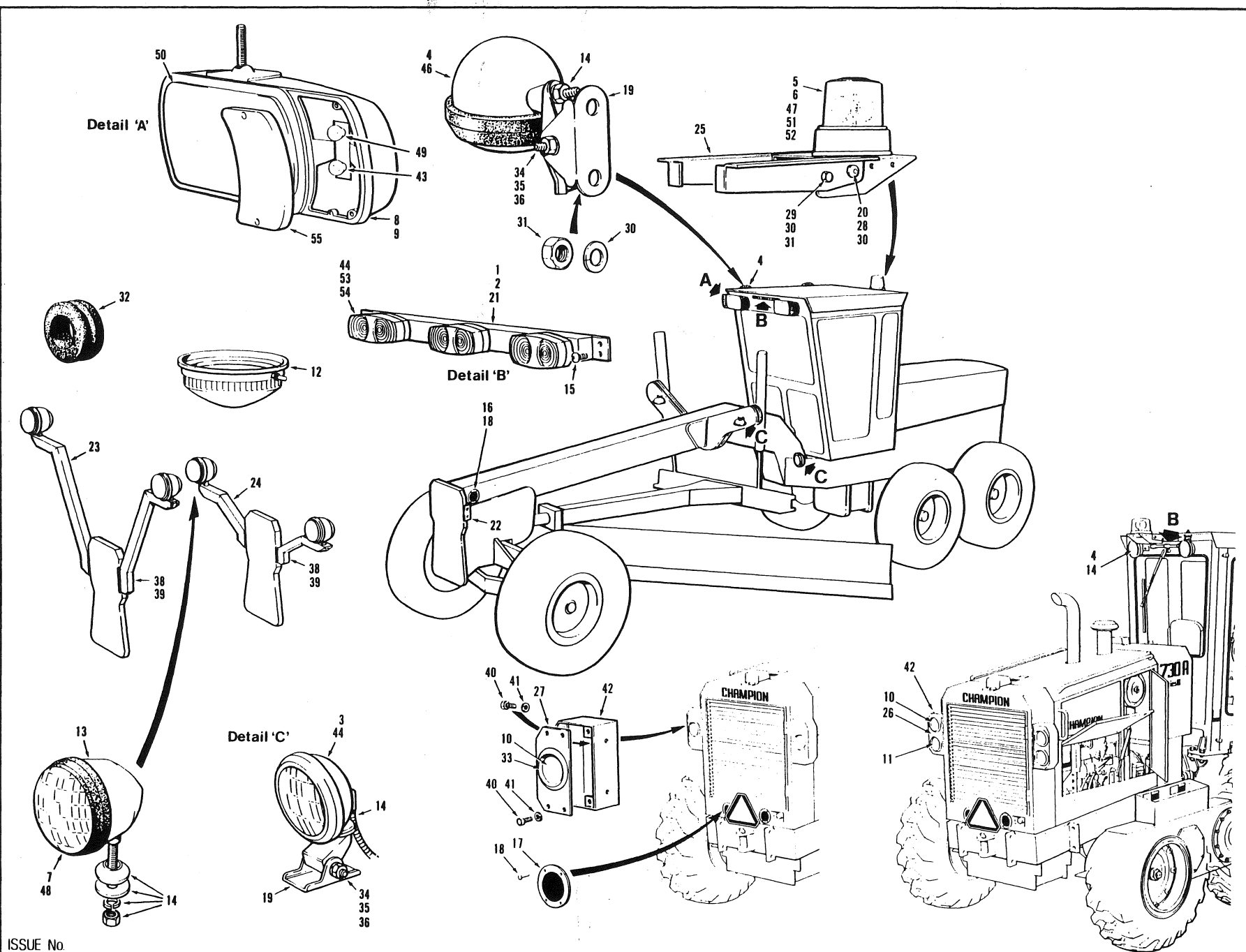
16224, 16245 & UP

**700 SERIES**  
**SERIE 700**

**SECTION 10**  
**SECTION**  
**PAGE**  
**PAGINA**  
**3**

USE ONLY **CHAMPION** APPROVED PARTS  
ROAD MACHINERY

| SECTION<br>SECCION 10      |  | PAGE<br>PAGINA 4                          | ISSUE No.<br>N° D'ÉMISSION<br>N° DE EDICION | 1 REVISION C                  | LIGHTING INSTALLATIONS        |  |   |                                | JUNE 1989                     |
|----------------------------|--|---|---|-------------------------------|-------------------------------|--|---|--------------------------------|-------------------------------|
| No.<br>N°<br>N°            | PART No.<br>N° DE PIÈCE<br>N° DE PIEZA | DESCRIPTION<br>DESCRIPTION<br>DESCRIPCION | No. REQ.<br>N° REQ.<br>N° REQ.              | REMARKS<br>REMARQUES<br>NOTAS | No.<br>N°<br>N°               | PART No.<br>N° DE PIECE<br>N° DE PIEZA | DESCRIPTION<br>DESCRIPTION<br>DESCRIPCION | No. REQ.<br>N° REQ.<br>N° REQ. | REMARKS<br>REMARQUES<br>NOTAS |
| <u>LIGHTS AND FLASHERS</u> |  |   |   |                               |                               |  |   |                                |                               |
| 1                          | 8091                                   | CLEARANCE LIGHTS - AMBER                  | 1   |                               | 36                            | 14681                                  | GROMMET - 3/8" I.D. X 7/8" O.D.           | A.R.                           |                               |
| 2                          | 8092                                   | CLEARANCE LIGHTS - RED                    | 1   |                               | 37                            | 32437                                  | GROMMET - 1/2" I.D. X 1 1/16" O.D.        | A.R.                           |                               |
| 3                          | 10976                                  | LIGHT - MOLDBOARD & BACK-UP               | A.R.  |                               | 38                            | 40G-0619                               | BOLT                                      | A.R.                           |                               |
| 4                          | 10977                                  | LIGHT - WING & REAR FLOOD                 | A.R.  |                               | 39                            | 14A-06                                 | LOCKWASHER                                | A.R.                           |                               |
| 5                          | 16029-2                                | TWO BEAM FLASHER - BLUE                   | 1   |                               | 40                            | *30A-06                                | NUT                                       | A.R.                           |                               |
| 6                          | 16029-3                                | TWO BEAM FLASHER - AMBER                  | 1   |                               | 41                            | 50A-0808                               | BOLT                                      | A.R.                           |                               |
| 7                          | 23528                                  | HEADLIGHT - EXTRA                         | A.R.  |                               | 42                            | 50A-0824                               | BOLT                                      | A.R.                           |                               |
| 8                          | 28686                                  | LIGHT - DOME                              | 1   |                               | 43                            | 14A-08                                 | LOCKWASHER                                | A.R.                           |                               |
| 9                          | 28687                                  | HEADLIGHT - L.H.                          | 1   |                               | <u>BULBS AND SEALED BEAMS</u> |  |   |                                |                               |
| 10                         | 28688                                  | HEADLIGHT - R.H.                          | 1   |                               | 44                            | 18791                                  | BULB FOR ITEMS 9, 10 & 11                 | A.R.                           |                               |
| 11                         | 28689                                  | LIGHT - STOP, TAIL & TURN SIGNAL          | A.R.  |                               | 45                            | 19076                                  | BULB FOR ITEMS 1 & 2                      | A.R.                           |                               |
| 12                         | 10850-2                                | HEADLIGHT RIM FOR ITEM 7                  | A.R.  |                               | 46                            | 19077                                  | SEALED BEAM FOR ITEM 3                    | A.R.                           |                               |
| 13                         | 26987                                  | LIGHT MOUNTING SPACER KIT                 | A.R.  |                               | 47                            | 19078                                  | SEALED BEAM FOR ITEM 4                    | A.R.                           |                               |
| 14                         | *62A-1006                              | SCREW                                     | 8   |                               | 48                            | 19079                                  | SEALED BEAM FOR ITEMS 5 & 6               | A.R.                           |                               |
| <u>REFLECTORS</u>          |  |   |   |                               |                               |  |   |                                |                               |
| 15                         | 9393                                   | REFLECTOR - RED                           | A.R.  |                               | 49                            | 19080                                  | SEALED BEAM FOR ITEM 7                    | A.R.                           |                               |
| 16                         | 18727                                  | REFLECTOR - AMBER                         | A.R.  |                               | 50                            | 23635                                  | BULB FOR ITEMS 8, 9 & 10                  | A.R.                           |                               |
| 17                         | *62A-1006                              | SCREW                                     | 8   |                               | 51                            | 32512                                  | SEALED BEAM FOR ITEMS 9 & 10              | A.R.                           |                               |
| <u>MOUNTING BRACKETS</u>   |  |   |   |                               |                               |  |   |                                |                               |
| 18                         | 8667                                   | BRACKET FOR ITEMS 3 & 4                   | A.R.  |                               | <u>REPLACEMENT LENSES</u>     |  |   |                                |                               |
| 19                         | *52380                                 | HINGED BRACKET - TWO BEAM FLASHER         | 1   |                               | 52                            | 18185-2                                | LENS - BLUE TWO BEAM FLASHER              | A.R.                           |                               |
| 20                         | 15370-32                               | BRACKET FOR ITEMS 1 & 2                   | A.R.  |                               | 53                            | 18185-3                                | LENS - AMBER TWO BEAM FLASHER             | A.R.                           |                               |
| 21                         | 19187-1                                | MOUNTING BAR                              | A.R.  |                               | 54                            | 26996                                  | LENS - RED FOR ITEM 2                     | A.R.                           |                               |
| 22                         | 19510-1                                | FLASHER BRACKET EXTENSION - R.H.          | 1   |                               | 55                            | 26997                                  | LENS - AMBER FOR ITEM 1                   | A.R.                           |                               |
| 23                         | 19510-2                                | FLASHER BRACKET EXTENSION - L.H.          | 1   |                               | 56                            | 32513                                  | LENS - AMBER FOR ITEMS 9 & 10             | A.R.                           |                               |
| 24                         | 28789                                  | BRACKET - STOP & TAIL LIGHT - DOUBLE      | A.R.  |                               | 57                            | 32515                                  | LENS - RED FOR ITEM 11                    | A.R.                           |                               |
| 25                         | 28868                                  | BRACKET - REAR FLOOD                      | A.R.  |                               |                               |  |   |                                |                               |
| 26                         | 33323                                  | BRACKET - R.H. TURN SIGNAL                | A.R.  |                               |                               |  |   |                                |                               |
| 27                         | 33324                                  | BRACKET - L.H. TURN SIGNAL                | A.R.  |                               |                               |  |   |                                |                               |
| 28                         | 35542                                  | BRACKET - HIGH HEADLIGHT                  | 2   |                               |                               |  |   |                                |                               |
| 29                         | 35543                                  | BRACKET - LOW HEADLIGHT                   | 2   |                               |                               |  |   |                                |                               |
| 30                         | 40835                                  | BRACKET - STOP & TAIL LIGHT - SINGLE      | A.R.  |                               |                               |  |   |                                |                               |
| 31                         | *9490                                  | ROD                                       | 1   |                               |                               |  |   |                                |                               |
| 32                         | *13A-0416                              | COTTER PIN                                | 1   |                               |                               |  |   |                                |                               |
| 33                         | *14C-06                                | WASHER                                    | 3   |                               |                               |  |   |                                |                               |
| 34                         | *30A-06                                | NUT                                       | 4   |                               |                               |  |   |                                |                               |
| 35                         | *50A-0608                              | BOLT                                      | 2   |                               |                               |  |   |                                |                               |



EFFECTIVE SERIAL NUMBERS(S)  
 NUMEROS(S) DE SERIE EFFECTIF(S)  
 NUMERO(S) DE SERIE EFFECTIVO(S)

19982, 19984, 19985, 19996,  
 20005, 20227 to 20232, 20265  
 to 20375, 20383 TO 20892

700 SERIES  
 SERIE 700

SECTION 10 PAGE 3  
 SECCION 10 PAGINA 3

ISSUE No.  
 N° D'ÉMISSION  
 N° DE EDICION

2 REVISION A

LIGHTING INSTALLATIONS

DECEMBER 1991

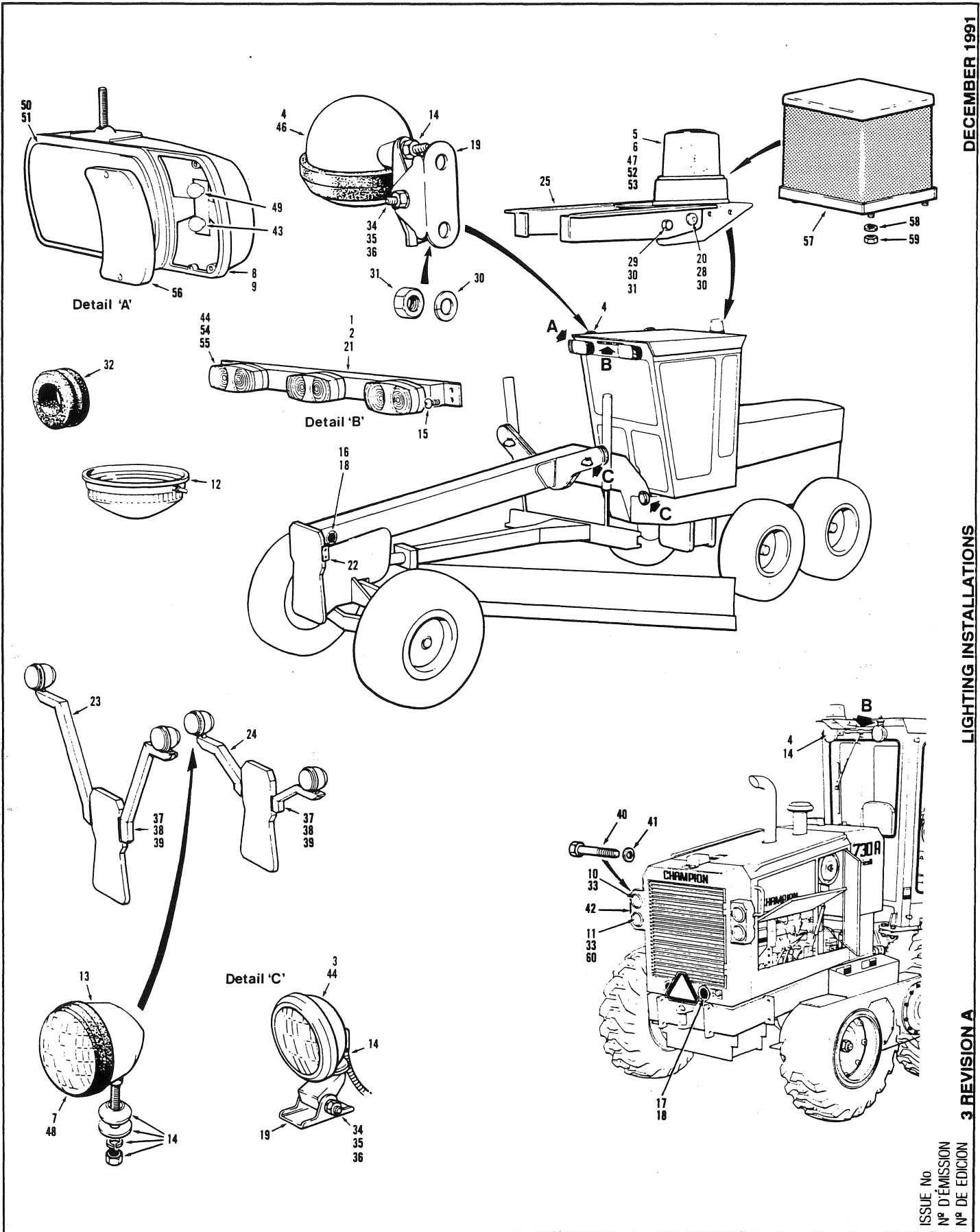
FOR LIST OF PARTS - TURN THIS PAGE

POUR LA LISTE DES PIÈCES - VOIR AU VERSO

PARA LA LISTA DE LAS PIEZAS - VFR AL VERSO

| SECTION 10                   |  | PAGE 4                                    | ISSUE No.<br>N° D'ÉMISSION<br>N° DE EDICION | 2 REVISION A                  |                 | LIGHTING INSTALLATIONS                 |   |                                | DECEMBER 1991                 |  |
|------------------------------|--|---|---|-------------------------------|-----------------|--|---|--------------------------------|-------------------------------|--|
| No.<br>N°<br>N°              | PART No.<br>N° DE PIÈCE<br>N° DE PIEZA | DESCRIPTION<br>DESCRIPTION<br>DESCRIPCION | No. REQ.<br>N° REQ.<br>N° REQ.              | REMARKS<br>REMARQUES<br>NOTAS | No.<br>N°<br>N° | PART No.<br>N° DE PIECE<br>N° DE PIEZA | DESCRIPTION<br>DESCRIPTION<br>DESCRIPCION | No. REQ.<br>N° REQ.<br>N° REQ. | REMARKS<br>REMARQUES<br>NOTAS |  |
| <b>LIGHTS &amp; FLASHERS</b> |  |   |   |                               |                 |  |   |                                |                               |  |
| 1                            | 8091                                   | CLEARANCE LIGHTS - AMBER                  | 1   |                               | 43              | 18791                                  | BULB FOR ITEMS 9 & 10                     | A.R.                           |                               |  |
| 2                            | 8092                                   | CLEARANCE LIGHTS - RED                    | 1   |                               | 44              | 19076                                  | BULB FOR ITEMS 1 & 2                      | A.R.                           |                               |  |
| 3                            | 10976                                  | LIGHT - MOLDBOARD                         | 2   |                               | 45              | 19077                                  | SEALED BEAM FOR ITEM 3                    | A.R.                           |                               |  |
| 4                            | 10977                                  | LIGHT - WING - REAR FLOOD                 | 2   |                               | 46              | 19078                                  | SEALED BEAM FOR ITEM 4                    | A.R.                           |                               |  |
| 5                            | 10629-2                                | TWO BEAM FLASHER - BLUE                   | 1   |                               | 47              | 19079                                  | SEALED BEAM FOR ITEMS 5 & 6               | A.R.                           |                               |  |
| 6                            | 16029-3                                | TWO BEAM FLASHER - AMBER                  | 1   |                               | 48              | 19080                                  | SEALED BEAM FOR ITEM 7                    | A.R.                           |                               |  |
| 7                            | 23528                                  | HEADLIGHT - EXTRA                         | 2   |                               | 49              | 23635                                  | BULB FOR ITEMS 8, 9 & 12                  | A.R.                           |                               |  |
| 8                            | 28687                                  | HEADLIGHT - L.H.                          | 1   |                               | 50              | 32512                                  | SEALED BEAM FOR ITEMS 8 & 9               | A.R.                           |                               |  |
| 9                            | 28688                                  | HEADLIGHT - R.H.                          | 1   |                               |                 |  |   |                                |                               |  |
| 10                           | 52709                                  | LIGHT - STOP, TAIL & TURN SIGNAL          | 2   |                               |                 |  |   |                                |                               |  |
| 11                           | *52817                                 | LIGHT - BACK-UP                           | 2   |                               |                 |  |   |                                |                               |  |
| 12                           | 55256                                  | LIGHT - DOME                              | 1   |                               | 51              | 18185-2                                | LENS - BLUE TWO BEAM FLASHER              | A.R.                           |                               |  |
| 13                           | 10850-2                                | HEADLIGHT RIM FOR ITEM 7                  | 2   |                               | 52              | 18185-3                                | LENS - AMBER TWO BEAM FLASHER             | A.R.                           |                               |  |
| 14                           | 28987                                  | LIGHT MOUNTING SPACER KIT                 | A.R.  |                               | 53              | 26996                                  | LENS - RED FOR ITEM 2                     | A.R.                           |                               |  |
| 15                           | 62A-1008                               | SCREW                                     | 8   |                               | 54              | 26997                                  | LENS - AMBER FOR ITEM 1                   | A.R.                           |                               |  |
|                              |  |   |   |                               | 55              | 32513                                  | LENS - AMBER FOR ITEMS 8 & 9              | A.R.                           |                               |  |
| <b>REFLECTORS</b>            |  |   |   |                               |                 |  |   |                                |                               |  |
| 16                           | 18727                                  | REFLECTOR - AMBER                         | 2   |                               |                 |  |   |                                |                               |  |
| 17                           | 52999                                  | REFLECTOR - RED                           | 2   |                               |                 |  |   |                                |                               |  |
| 18                           | 62A-1008                               | SCREW                                     | 8   |                               |                 |  |   |                                |                               |  |
| <b>MOUNTING BRACKETS</b>     |  |   |   |                               |                 |  |   |                                |                               |  |
| 19                           | 8687                                   | BRACKET FOR ITEMS 3 & 4                   | 2   |                               |                 |  |   |                                |                               |  |
| 20                           | 9490                                   | ROD                                       | 1   |                               |                 |  |   |                                |                               |  |
| 21                           | 15370-32                               | BRACKET FOR ITEMS 1 & 2                   | 1   |                               |                 |  |   |                                |                               |  |
| 22                           | 18187-1                                | MOUNTING BAR                              | A.R.  |                               |                 |  |   |                                |                               |  |
| 23                           | 35542                                  | BRACKET - HIGH HEADLIGHT                  | 2   |                               |                 |  |   |                                |                               |  |
| 24                           | 35543                                  | BRACKET - LOW HEADLIGHT                   | 2   |                               |                 |  |   |                                |                               |  |
| 25                           | 52380                                  | HINGED BRACKET - TWO BEAM FLASHER         | 1   |                               |                 |  |   |                                |                               |  |
| 26                           | 52670                                  | PLATE - STOP, TAIL & BACK-UP LIGHTS       | 2   |                               |                 |  |   |                                |                               |  |
| 27                           | 52772                                  | PLATE - STOP & TAIL LIGHTS                | 2   |                               |                 |  |   |                                |                               |  |
| 28                           | 13A-0418                               | COTTER PIN                                | 1   |                               |                 |  |   |                                |                               |  |
| 29                           | 50A-0608                               | BOLT                                      | 2   |                               |                 |  |   |                                |                               |  |
| 30                           | 14A-06                                 | LOCKWASHER                                | A.R.  |                               |                 |  |   |                                |                               |  |
| 31                           | 30A-06                                 | NUT                                       | A.R.  |                               |                 |  |   |                                |                               |  |
| 32                           | 41710                                  | GROMMET - USED WITH DETAILS 1, 2 & 4      | 2   |                               |                 |  |   |                                |                               |  |
| 33                           | 52710                                  | GROMMET - USED WITH DETAILS 10 & 11       | 2 or 4                                      |                               |                 |  |   |                                |                               |  |
| 34                           | 40G-0619                               | BOLT                                      | A.R.  |                               |                 |  |   |                                |                               |  |
| 35                           | 14C-06                                 | LOCKWASHER                                | 5   |                               |                 |  |   |                                |                               |  |
| 36                           | 30A-06                                 | NUT                                       | 4   |                               |                 |  |   |                                |                               |  |
| 37                           | 50A-0808                               | BOLT                                      | A.R.  |                               |                 |  |   |                                |                               |  |
| 38                           | 50A-0824                               | BOLT                                      | A.R.  |                               |                 |  |   |                                |                               |  |
| 39                           | 14A-08                                 | LOCKWASHER                                | A.R.  |                               |                 |  |   |                                |                               |  |
| 40                           | 50A-0508                               | BOLT                                      | 12  |                               |                 |  |   |                                |                               |  |
| 41                           | 14A-05                                 | LOCKWASHER                                | 12  |                               |                 |  |   |                                |                               |  |
| 42                           | 52987                                  | HOUSING - STOP, TAIL & BACK-UP LIGHTS     | 2   |                               |                 |  |   |                                |                               |  |



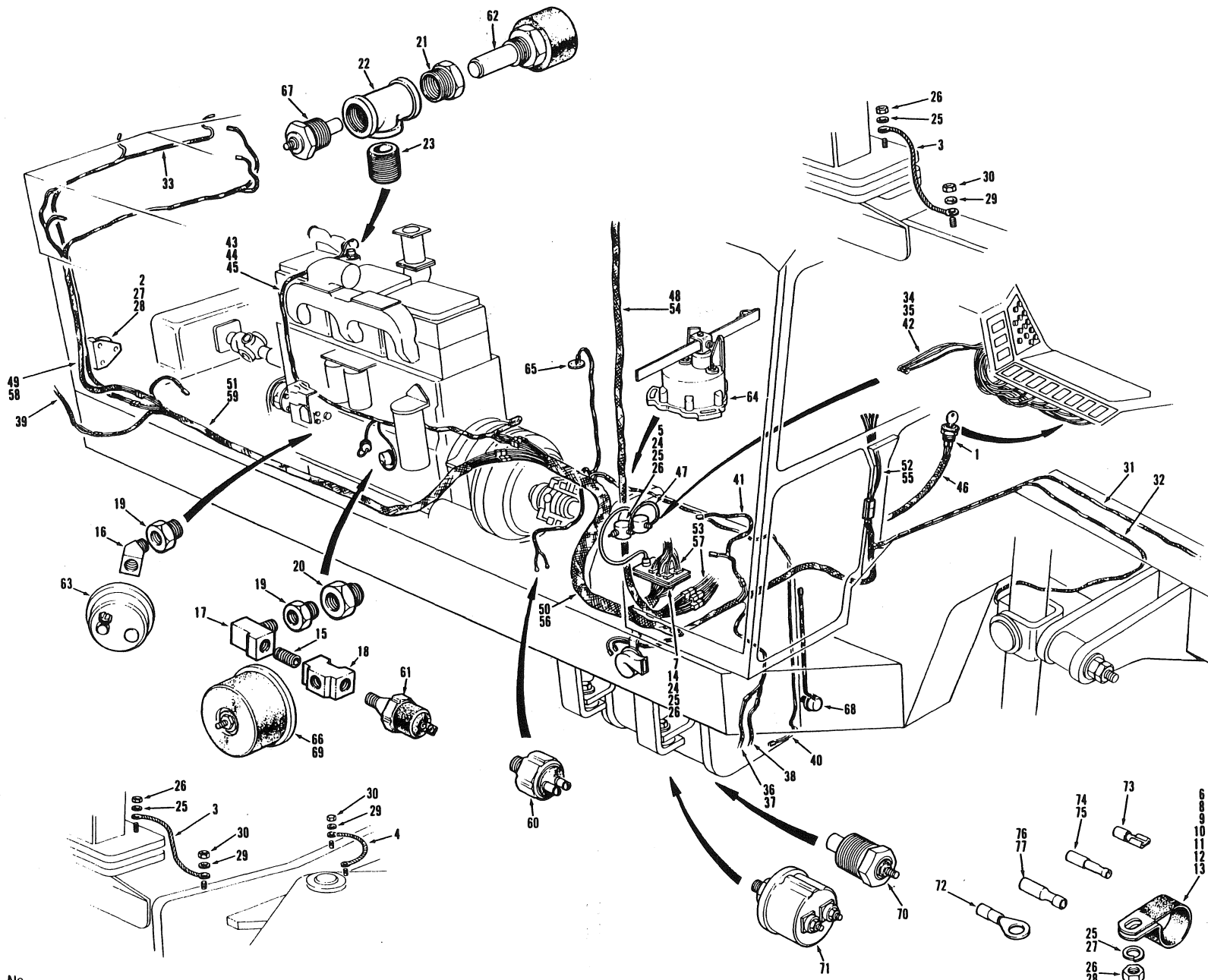


EFFECTIVE SERIAL NUMBER(S) 20893 & UP  
 NUMERO(S) DE SÉRIE EFFECTIF(S)  
 NUMERO(S) DE SÉRIE EFECTIVO(S)

700 SERIES  
 SERIE 700

SECTION 10 PAGE 3  
 SECCION 10 PAGINA 3

| SECTION<br>SECCION           |  | 10  | PAGE<br>PAGINA                 | 4                             | ISSUE No.<br>N° D'ÉMISSION<br>N° DE EDICION | 3 REVISION A                           | LIGHTING INSTALLATIONS                    |                                |                               | DECEMBER 1991 |
|------------------------------|--|---|--------------------------------|-------------------------------|---|--|---|--------------------------------|-------------------------------|---------------|
| No.<br>N°<br>N°              | PART No.<br>N° DE PIÈCE<br>N° DE PIEZA | DESCRIPTION<br>DESCRIPTION<br>DESCRIPCION | No. REQ.<br>N° REQ.<br>N° REQ. | REMARKS<br>REMARQUES<br>NOTAS | No.<br>N°<br>N°                             | PART No.<br>N° DE PIÈCE<br>N° DE PIEZA | DESCRIPTION<br>DESCRIPTION<br>DESCRIPCION | No. REQ.<br>N° REQ.<br>N° REQ. | REMARKS<br>REMARQUES<br>NOTAS |               |
| <b>LIGHTS &amp; FLASHERS</b> |  |   |                                |                               |   |  |   |                                |                               |               |
| 1                            | 8091                                   | CLEARANCE LIGHTS - AMBER                  | 1                              |                               | 43  | 18791                                  | BULB FOR ITEMS 8 & 9                      | 1                              |                               |               |
| 2                            | 8092                                   | CLEARANCE LIGHTS - RED                    | 1                              |                               | 44  | 19076                                  | BULB FOR ITEMS 1 & 2                      | 1                              |                               |               |
| 3                            | 10976                                  | LIGHT - MOLDBOARD                         | 2                              |                               | 45  | 19077                                  | SEALED BEAM FOR ITEM 3                    | 1                              |                               |               |
| 4                            | 10977                                  | LIGHT - WING - REAR FLOOD                 | 2                              |                               | 46  | 19078                                  | SEALED BEAM FOR ITEM 4                    | 1                              |                               |               |
| 5                            | 16029-2                                | TWO BEAM FLASHER - BLUE                   | 1                              |                               | 47  | 19079                                  | SEALED BEAM FOR ITEMS 5 & 6               | 1                              |                               |               |
| 6                            | 16029-3                                | TWO BEAM FLASHER - AMBER                  | 1                              |                               | 48  | 19080                                  | SEALED BEAM FOR ITEM 7                    | 1                              |                               |               |
| 7                            | 23528                                  | HEADLIGHT - EXTRA                         | 2                              |                               | 49  | 23635                                  | BULB FOR ITEMS 8, 9 & 12                  | 1                              |                               |               |
| 8                            | 28687                                  | HEADLIGHT - L.H.                          | 1                              |                               | 50  | 32512                                  | SEALED BEAM FOR ITEMS 8 & 9               | 1                              |                               |               |
|                              | 59308                                  | HEADLIGHT - L.H. - HALOGEN                | 1                              |                               | 51  | 63017                                  | SEALED BEAM - HALOGEN FOR ITEMS 8 & 9     | 1                              |                               |               |
| 9                            | 28688                                  | HEADLIGHT - R.H.                          | 1                              |                               |   |  |   |                                |                               |               |
|                              | 53909                                  | HEADLIGHT - R.H. - HALOGEN                | 1                              |                               |   |  |   |                                |                               |               |
| 10                           | 52709                                  | LIGHT - STOP, TAIL & TURN SIGNAL          | 2                              |                               | 52  | 18185-2                                | LENS - BLUE TWO BEAM FLASHER              | 1                              |                               |               |
| 11                           | *52817                                 | LIGHT - BACK-UP                           | 2                              |                               | 53  | 18185-3                                | LENS - AMBER TWO BEAM FLASHER             | 1                              |                               |               |
| 12                           | 55256                                  | LIGHT - DOME                              | 1                              |                               | 54  | 26996                                  | LENS - RED FOR ITEM 2                     | 1                              |                               |               |
| 13                           | 10850-2                                | HEADLIGHT RIM FOR ITEM 7                  | 2                              |                               | 55  | 26997                                  | LENS - AMBER FOR ITEM 1                   | 1                              |                               |               |
| 14                           | 26987                                  | LIGHT MOUNTING SPACER KIT                 | 1                              |                               | 56  | 32513                                  | LENS - AMBER FOR ITEMS 8 & 9              | 1                              |                               |               |
| 15                           | 62A-1006                               | SCREW                                     | 8                              |                               |   |  |   |                                |                               |               |
| <b>REFLECTORS</b>            |  |   |                                |                               |   |  |   |                                |                               |               |
| 16                           | 18727                                  | REFLECTOR - AMBER                         | 2                              |                               | 57  | 57313                                  | BRUSH GUARD - ROTATING BEACON             | 1                              |                               |               |
| 17                           | 52999                                  | REFLECTOR - RED                           | 2                              |                               | 58  | 14A-05                                 | LOCKWASHER                                | 4                              |                               |               |
| 18                           | 62A-1006                               | SCREW                                     | 8                              |                               | 59  | 30A-05                                 | NUT                                       | 4                              |                               |               |
|                              |  |   |                                |                               | 60  | 65141                                  | REFLECTOR - RED                           | 2                              |                               |               |
| <b>MOUNTING BRACKETS</b>     |  |   |                                |                               |   |  |   |                                |                               |               |
| 19                           | 8687                                   | BRACKET FOR ITEMS 3 & 4                   | 2                              |                               |   |  |   |                                |                               |               |
| 20                           | 57310                                  | ROD                                       | 1                              |                               |   |  |   |                                |                               |               |
| 21                           | 15370-32                               | BRACKET FOR ITEMS 1 & 2                   | 1                              |                               |   |  |   |                                |                               |               |
| 22                           | 19187-1                                | MOUNTING BAR                              | 2                              |                               |   |  |   |                                |                               |               |
| 23                           | 35542                                  | BRACKET - HIGH HEADLIGHT                  | 2                              |                               |   |  |   |                                |                               |               |
| 24                           | 35543                                  | BRACKET - LOW HEADLIGHT                   | 2                              |                               |   |  |   |                                |                               |               |
| 25                           | 57314                                  | HINGED BRACKET - TWO BEAM FLASHER         | 1                              |                               |   |  |   |                                |                               |               |
| 28                           | 13A-0416                               | COTTER PIN                                | 1                              |                               |   |  |   |                                |                               |               |
| 29                           | 50A-0607                               | BOLT                                      | 2                              |                               |   |  |   |                                |                               |               |
| 30                           | 14C-06                                 | WASHER                                    | 2                              |                               |   |  |   |                                |                               |               |
| 31                           | 36D-06                                 | NUT                                       | 2                              |                               |   |  |   |                                |                               |               |
| 32                           | 32437                                  | GROMMET - USED WITH DETAILS 1, 2 & 4      | 2                              |                               |   |  |   |                                |                               |               |
| 33                           | 52710                                  | GROMMET - USED WITH DETAILS 10 & 11       | 2 or 4                         |                               |   |  |   |                                |                               |               |
| 34                           | 40G-0619                               | BOLT                                      | 2                              |                               |   |  |   |                                |                               |               |
| 35                           | 14C-06                                 | WASHER                                    | 5                              |                               |   |  |   |                                |                               |               |
| 36                           | 30A-06                                 | NUT                                       | 4                              |                               |   |  |   |                                |                               |               |
| 37                           | 50A-0808                               | BOLT                                      | 2                              |                               |   |  |   |                                |                               |               |
| 38                           | 50A-0824                               | BOLT                                      | 2                              |                               |   |  |   |                                |                               |               |
| 39                           | 14A-08                                 | LOCKWASHER                                | 4                              |                               |   |  |   |                                |                               |               |
| 40                           | 50A-0648Z1                             | BOLT                                      | 4                              |                               |   |  |   |                                |                               |               |
| 41                           | 14A-06Z1                               | LOCKWASHER                                | 4                              |                               |   |  |   |                                |                               |               |
| 42                           | 65178                                  | HOUSING - STOP, TAIL & BACK-UP LIGHTS     | 2                              |                               |   |  |   |                                |                               |               |



EFFECTIVE SERIAL NUMBERS) 16224, 16245 & UP  
 NUMERO(S) DE SERIE EFFECTIF(S)  
 NUMERO(S) DE SERIE EFFECTIVOS)  
 U.S. 2021-2 & UP

700 SERIES  
 SERIE 700

SECTION 10 PAGE 5  
 SECCION 10 PAGINA 5

ISSUE No.  
 N° D'ÉMISSION  
 N° DE EDICION 1 REVISION A

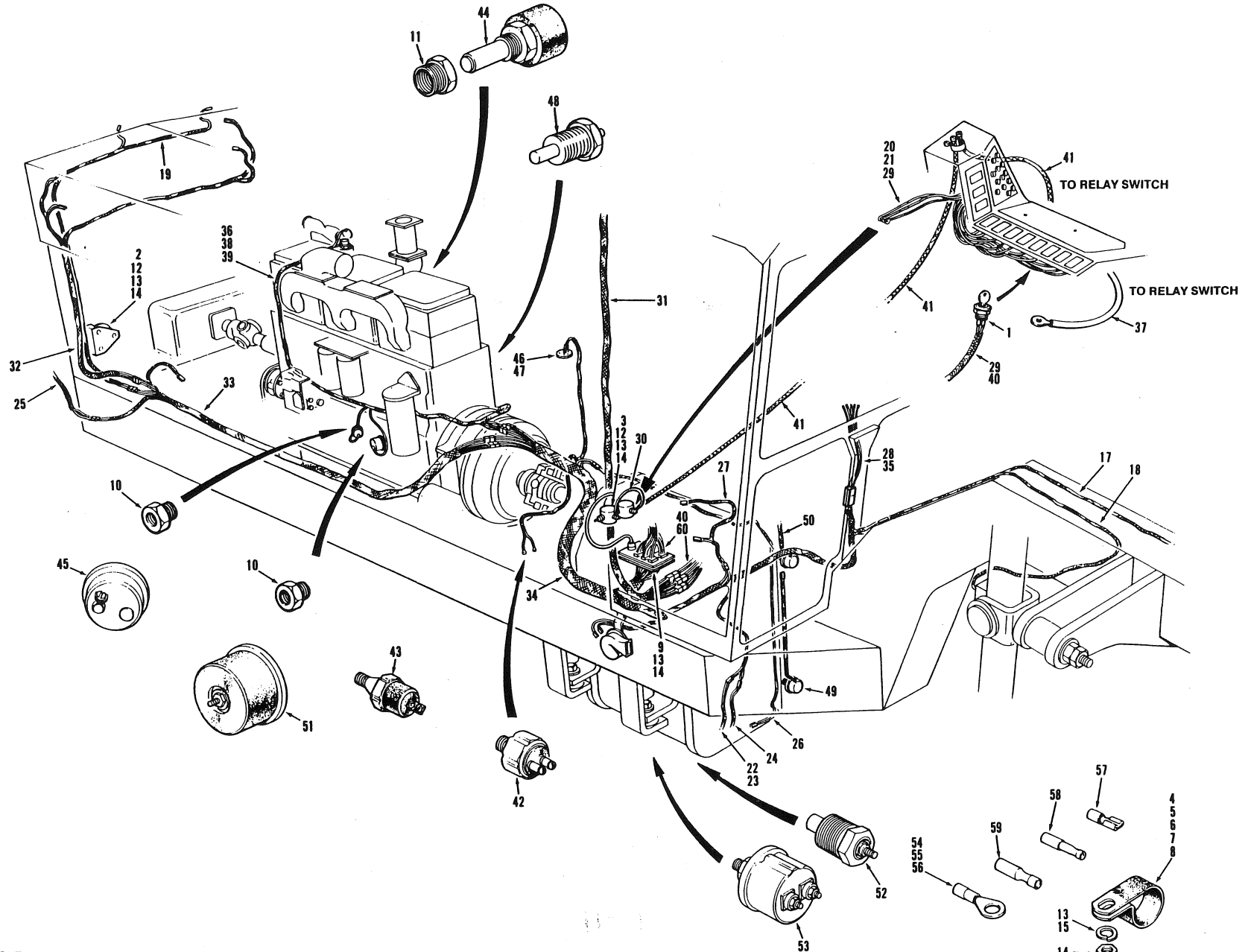
WIRING HARNESSES & SENDING UNITS

MAY 1985

FOR LIST OF PARTS - TURN THIS PAGE    POUR LA LISTE DES PIÈCES - VOIR AU VERSO    PARA LA LISTA DE LAS PIEZAS - VER AL VERSO

| SECTION 10              |  | PAGE 6   | ISSUE No.<br>N° D'ÉMISSION<br>N° DE EDICION | 1 REVISION A                                    | WIRING HARNESSES & SENDING UNITS |  |  |                                | MAY 1985  |  |
|-------------------------|--|--|---|---|----------------------------------|--|--|--------------------------------|---|--|
| No.<br>N°               | PART No.<br>N° DE PIÈCE<br>N° DE PIEZA | DESCRIPTION<br>DÉSCRIPTION<br>DESCRIPCION              | No. REQ.<br>N° REQ.<br>N° REQ.              | REMARKS<br>REMARQUES<br>NOTAS                   | No.<br>N°                        | PART No.<br>N° DE PIECE<br>N° DE PIEZA | DESCRIPTION<br>DÉSCRIPTION<br>DESCRIPCION    | No. REQ.<br>N° REQ.<br>N° REQ. | REMARKS<br>REMARQUES<br>NOTAS                   |  |
| 1                       | 5618                                   | IGNITION SWITCH & KEYS                                 | 1   |   | 42                               | 40488                                  | HARNESS - INSTRUMENT PANEL POWER             | 1                              |   |  |
| 2                       | 15201                                  | BACK-UP ALARM  | 1   |   | 43                               | 40490                                  | HARNESS - ENGINE                             | 1                              | 720, 730 & 730A                                 |  |
| 3                       | 17906                                  | GROUND STRAP   | 1   |   | 44                               | 40493                                  | HARNESS - ENGINE                             | 1                              | 710, 710A & 720A                                |  |
| 4                       | 17907                                  | GROUND STRAP - ARTICULATION                            | 1   |   | 45                               | 40494                                  | HARNESS - ENGINE                             | 1                              | 740, 740A & 760                                 |  |
| 5                       | 19725                                  | SOLENOID - 12 VOLT                                     | 2   |   | 46                               | 40664                                  | WIRE - KEY SWITCH TO SOLENOID                | 1                              |   |  |
| 6                       | 28685                                  | CLIP - 1/4"  | A.R.  |   | 47                               | 40665                                  | WIRE - SOLENOID TO SOLENOID                  | 1                              |   |  |
| 7                       | 28726                                  | ADAPTER PLATE  | 1   | UP TO SER. No. 16470, & UP TO U.S. 2211-2       | 48                               | 28381                                  | HARNESS - UPPER CAB                          | 1                              |   |  |
| 8                       | 28767                                  | CLIP - 3/8"  | A.R.  |   | 49                               | 28385                                  | HARNESS - REAR TAIL LIGHTS                   | 1                              | UP TO SER. No. 16470, & UP TO U.S. 2211-2       |  |
| 9                       | 32316                                  | CLIP - 3/8"  | A.R.  |   | 50                               | 40486                                  | HARNESS - HARNESS - MAIN CHASSIS             | 1                              |   |  |
| 10                      | 32317                                  | CLIP - 1/2"  | A.R.  |   | 51                               | 40487                                  | HARNESS - REAR CHASSIS                       | 1                              |   |  |
| 11                      | 32318                                  | CLIP - 3/4"  | A.R.  |   | 52                               | 40489                                  | HARNESS - STEERING COLUMN                    | 1                              |   |  |
| 12                      | 32319                                  | CLIP - 1"  | A.R.  |   | 53                               | 40491                                  | HARNESS - INSTRUMENT PANEL                   | 1                              |   |  |
| 13                      | 32320                                  | CLIP - 1-1/4"  | A.R.  |   | 54                               | 40931                                  | HARNESS - UPPER CAB                          | 1                              |   |  |
| 14                      | 40952                                  | ADAPTER PLATE  | 1   | SERIAL No. 16471 & UP U.S. SER. No. 2212-2 & UP | 55                               | 40942                                  | HARNESS - STEERING COLUMN                    | 1                              | SERIAL No. 16471 & UP U.S. SER. No. 2212-2 & UP |  |
| 15                      | 103L-02                                | NIPPLE   | A.R.  |   | 56                               | 40943                                  | HARNESS - MAIN CHASSIS                       | 1                              |   |  |
| 16                      | 103N-02                                | ELBOW  | A.R.  |   | 57                               | 40944                                  | HARNESS - INSTRUMENT PANEL                   | 1                              |   |  |
| 17                      | 103P-02                                | ELBOW  | A.R.  |   | 58                               | 40950                                  | HARNESS - STOP & REAR TAIL LIGHTS            | 1                              |   |  |
| 18                      | 103T-02                                | TEE  | A.R.  |   | 59                               | 40951                                  | HARNESS - REAR CHASSIS                       | 1                              |   |  |
| 19                      | 115B-0402                              | REDUCER  | A.R.  |   | <u>SENDING UNITS</u>             |  |  |                                |   |  |
| 20                      | 115B-0604                              | REDUCER  | A.R.  |   | 60                               | 1684                                   | BRAKE SWITCH                                 | 1                              |   |  |
| 21                      | 115B-0806                              | REDUCER  | A.R.  |   | 61                               | 9670                                   | SWITCH - HOUR METER                          | 1                              |   |  |
| 22                      | 115M-08                                | TEE  | A.R.  |   | 62                               | 9758                                   | ALARMSTAT                                    | 1                              |   |  |
| 23                      | 115S-08                                | NIPPLE   | A.R.  |   | 63                               | 11772                                  | PRESSURESTAT                                 | 1                              | OPTIONAL  |  |
| 24                      | 50A-0408                               | BOLT   | 8   |   | 64                               | 17868                                  | ARTICULATION                                 | 1                              |   |  |
| 25                      | 14A-04                                 | LOCKWASHER   | A.R.  |   | 65                               | 24589                                  | FUEL LEVEL                                   | 1                              |   |  |
| 26                      | 30A-04                                 | NUT  | A.R.  |   | 66                               | 28690                                  | FUEL PRESSURE                                | 1                              |   |  |
| 27                      | 14A-06                                 | LOCKWASHER   | A.R.  |   | 67                               | 28691                                  | COOLANT TEMPERATURE                          | 1                              |   |  |
| 28                      | 30A-06                                 | NUT  | A.R.  |   | 68                               | 40848                                  | TRANSMISSION OIL PRESSURE - INCLUDES HARNESS | 1                              |   |  |
| 29                      | 14A-08                                 | LOCKWASHER   | A.R.  |   | 69                               | 41787                                  | ENGINE OIL PRESSURE                          | 1                              |   |  |
| 30                      | 30A-08                                 | NUT  | A.R.  |   | 70                               | 10076                                  | TEMPERATURE SENDER - 8400 TRANSMISSION       | 1                              | OPTIONAL  |  |
| <u>WIRING HARNESSES</u> |  |  |   |   | 71                               | 15801                                  | OIL PRESSURE SENDER - 8400 TRANSMISSION      | 1                              | OPTIONAL  |  |
| 31                      | 28377                                  | HARNESS - FRONT HEADLIGHTS                             | 1   | OPTIONAL  | 72                               | 130B-03                                | RING TERMINAL - No. 8-10 - 14 Ga.            | A.R.                           |   |  |
| 32                      | 28378                                  | HARNESS - FLOAT VALVES                                 | A.R.  | OPTIONAL  |                                  | 130B-04                                | RING TERMINAL - 1/4" - 14 Ga.                | A.R.                           |   |  |
| 33                      | 28384                                  | HARNESS - BACK-UP LIGHTS                               | 1   |   |                                  | 130B-06                                | RING TERMINAL - 3/8" - 14 Ga.                | A.R.                           |   |  |
| 34                      | 28390                                  | HARNESS - 1 WIRE ACCESSORY                             | A.R.  |   |                                  | 130B-08                                | RING TERMINAL - 1/2" - 14Ga.                 | A.R.                           |   |  |
| 35                      | 28391                                  | HARNESS - 2 WIRE ACCESSORY                             | A.R.  |   |                                  | 130C-03                                | RING TERMINAL - No. 8-10 - 10-12 Ga.         | A.R.                           |   |  |
| 36                      | 28394                                  | HARNESS - FRONT MOUNT WING                             | 1   |   |                                  | 130C-06                                | RING TERMINAL - 3/8" - 10-12 Ga.             | A.R.                           |   |  |
| 37                      | 28395                                  | HARNESS - REAR MOUNT WING                              | 1   |   |                                  | 73                                     | 131B-04                                      | SPADE TERMINAL - 1/4"          | A.R.  |  |
| 38                      | 28396                                  | HARNESS - FRONT MOUNT WING                             | 1   | OPTIONAL  |                                  | 74                                     | 134B-00                                      | MALE BULLET - 14 Ga.           | A.R.  |  |
| 39                      | 28725                                  | HARNESS - REAR MOUNT WING, RIPPER & WINDROW ELIMINATOR | 1   |   |                                  | 75                                     | 134C-00                                      | MALE BULLET - 10-12 Ga.        | A.R.  |  |
| 40                      | 29756                                  | HARNESS - TRANSMISSION                                 | 1   |   |                                  | 76                                     | 135B-00                                      | FEMALE BULLET - 14 Ga.         | A.R.  |  |
| 41                      | 32375                                  | HARNESS - HEATER MOTOR                                 | 1   |   | 77                               | 135C-00                                | FEMALE BULLET - 10-12 Ga.                    | A.R.                           |   |  |

CHAMPION ROAD MACHINERY



EFFECTIVE SERIAL NUMBERS 17490 & UP  
 NUMEROS DE SÉRIE EFFECTIFS  
 NUMEROS DE SERIE EFFECTIVOS  
 U.S. 2572-2 & UP

700 SERIES  
 SERIE 700

SECTION 10 PAGE 5  
 SECCION 10 PAGINA 5

ISSUE No.  
 N° D'ÉMISSION  
 N° DE EDICION 2 REVISION A.

WIRING HARNESS & SENDING UNITS

JUNE 1987

FOR LIST OF PARTS - TURN THIS PAGE

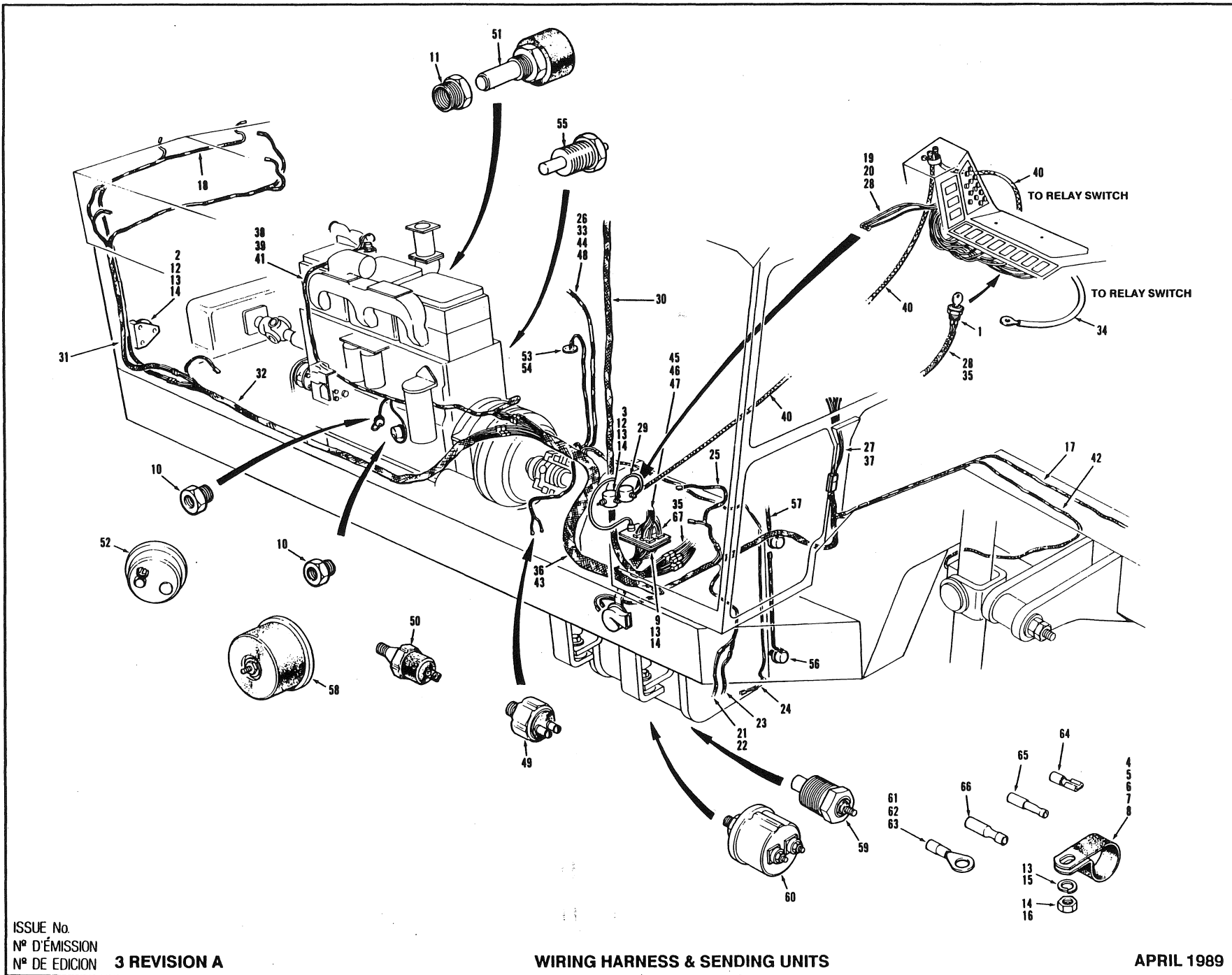
POUR LA LISTE DES PIÈCES - VOIR AU VERSO

PARA LA LISTA DE LAS PIEZAS - VER AL VERSO

USE ONLY CHAMPION ROAD MACHINERY APPROVED PARTS

| SECTION<br>SECCION 10 |  | PAGE<br>PAGINA 6                                       | ISSUE No.<br>N° D'ÉMISSION 2 REVISION A<br>N° DE EDICION |                               | WIRING HARNESS & SENDING UNITS |  |   | JUNE 1987                      |                               |
|-----------------------|--|--|--|-------------------------------|--------------------------------|--|---|--------------------------------|-------------------------------|
| No.<br>N°<br>N°       | PART No.<br>N° DE PIÉCE<br>N° DE PIEZA | DESCRIPTION<br>DESCRIPTION<br>DESCRIPCION              | No. REQ.<br>N° REQ.<br>N° REQ.                           | REMARKS<br>REMARQUES<br>NOTAS | No.<br>N°<br>N°                | PART No.<br>N° DE PIÉCE<br>N° DE PIEZA | DESCRIPTION<br>DESCRIPTION<br>DESCRIPCION     | No. REQ.<br>N° REQ.<br>N° REQ. | REMARKS<br>REMARQUES<br>NOTAS |
| 1                     | 5618                                   | IGNITION SWITCH & KEYS                                 | 1  |                               | 29                             | 40488                                  | HARNESS - INSTRUMENT PANEL POWER              | 1                              |                               |
| 2                     | 15201                                  | BACK-UP ALARM  | 1  |                               | 30                             | 40665                                  | WIRE - SOLENOID TO SOLENOID                   | 1                              |                               |
| 3                     | 19725                                  | SOLENOID - 12 VOLT                                     | 2  |                               | 31                             | 40931                                  | HARNESS - UPPER CAB                           | 1                              |                               |
| 4                     | 32316                                  | CLIP - 3/8"  | 8  |                               | 32                             | 40950                                  | HARNESS - STOP & REAR TAIL LIGHTS             | 1                              |                               |
| 5                     | 32317                                  | CLIP - 1/2"  | 2  |                               | 33                             | 40951                                  | HARNESS - REAR CHASSIS                        | 1                              |                               |
| 6                     | 32318                                  | CLIP - 3/4"  | 4  |                               | 34                             | 43689                                  | HARNESS - MAIN CHASSIS                        | 1                              |                               |
| 7                     | 32319                                  | CLIP - 1"  | 3  |                               | 35                             | 43690                                  | HARNESS - STEERING COLUMN                     | 1                              |                               |
| 8                     | 32320                                  | CLIP - 1-1/4"  | 1  |                               | 36                             | 43692                                  | HARNESS - ENGINE                              | 1                              | 710, 710A<br>& 720A           |
| 9                     | 40952                                  | ADAPTER PLATE  | 1  |                               |                                |  |   |                                |                               |
| 10                    | 115B-0402                              | REDUCER  | 1  |                               | 37                             | *43640                                 | FEED WIRE - TRANSMISSION                      | 1                              |                               |
| 11                    | 115B-0806                              | REDUCER  | 2  |                               | 38                             | 43693                                  | HARNESS - ENGINE                              | 1                              | 740, 740A<br>780, 780A        |
| 12                    | 50A-0408                               | BOLT   | 8  |                               |                                |  |   |                                |                               |
| 13                    | 14A-04                                 | LOCKWASHER   | 8  |                               | 39                             | 43694                                  | HARNESS - ENGINE                              | 1                              | 720, 730<br>& 730A            |
| 14                    | 30A-04                                 | NUT  | 8  |                               |                                |  |   |                                |                               |
| 15                    | 14A-06                                 | LOCKWASHER   | 2  |                               | 40                             | 43950                                  | HARNESS - INSTRUMENT PANEL                    | 1                              |                               |
| 16                    | 30A-06                                 | NUT  | 2  |                               | 41                             | *43993                                 | HARNESS - TRANSMISSION                        | 1                              |                               |
| <u>WIRING HARNESS</u> |  |  |  |                               | <u>SENDING UNITS</u>           |  |   |                                |                               |
| 17                    | 28377                                  | HARNESS - FRONT HEADLIGHTS                             | 1  | OPTIONAL                      | 42                             | 1684                                   | BRAKE SWITCH                                  | 1                              |                               |
| 18                    | 28378                                  | HARNESS - FLOAT VALVES                                 | A.R.   | OPTIONAL                      | 43                             | 9670                                   | SWITCH - HOUR METER                           | 1                              |                               |
| 19                    | 28384                                  | HARNESS - BACK-UP LIGHTS                               | 1  |                               | 44                             | 9758                                   | ALARMSTAT                                     | 1                              | OPTIONAL                      |
| 20                    | 28390                                  | HARNESS - 1 WIRE ACCESSORY                             | A.R.   |                               | 45                             | 11772                                  | PRESSURESTAT                                  | 1                              | OPTIONAL                      |
| 21                    | 28391                                  | HARNESS - 2 WIRE ACCESSORY                             | A.R.   |                               | 46                             | 11785                                  | GASKET - FUEL SENDER                          | 1                              |                               |
| 22                    | 28394                                  | HARNESS - FRONT MOUNT WING                             | 1  | } OPTIONAL                    | 47                             | 24589                                  | FUEL LEVEL                                    | 1                              |                               |
| 23                    | 28395                                  | HARNESS - REAR MOUNT WING                              | 1  |                               | 48                             | 28691                                  | COOLANT TEMPERATURE                           | 1                              |                               |
| 24                    | 28396                                  | HARNESS - FRONT MOUNT WING                             | 1  |                               | 49                             | 40848                                  | TRANSMISSION OIL PRESSURE - INCLUDES HARNESS  | 1                              |                               |
| 25                    | 28725                                  | HARNESS - REAR MOUNT WING, RIPPER & WINDROW ELIMINATOR | 1  |                               | 50                             | *41534                                 | PRESSURE SWITCH - INCLUDES HARNESS            | 1                              |                               |
| 26                    | 29756                                  | HARNESS - TRANSMISSION                                 | 1  |                               | 51                             | 41787                                  | ENGINE OIL PRESSURE                           | 1                              |                               |
| 27                    | 32375                                  | HARNESS - HEATER MOTOR                                 | 1  |                               | 52                             | 10076                                  | TEMPERATURE SENDER - 8400 TRANSMISSION        | 1                              | OPTIONAL                      |
| 28                    | 40484                                  | HARNESS - ARTIC. SWITCH                                | 1  |                               | 53                             | 15801                                  | OIL PRESSURE SENDER - 8400 TRANSMISSION       | 1                              | OPTIONAL                      |
|                       |  |  |  |                               | 54                             | 130B-03                                | RING TERMINAL                                 | A.R.                           |                               |
|                       |  |  |  |                               | 55                             | 130B-04                                | RING TERMINAL                                 | A.R.                           |                               |
|                       |  |  |  |                               | 56                             | 130C-03                                | RING TERMINAL                                 | A.R.                           |                               |
|                       |  |  |  |                               | 57                             | 131B-04                                | SPADE TERMINAL                                | A.R.                           |                               |
|                       |  |  |  |                               | 58                             | 134B-180                               | MALE BULLET                                   | A.R.                           |                               |
|                       |  |  |  |                               | 59                             | 135B-21                                | FEMALE BULLET                                 | A.R.                           |                               |
|                       |  |  |  |                               |                                |  | <u>TROPICAL PROTECTION PACKAGE - OPTIONAL</u> |                                |                               |
|                       |  |  |  |                               | 60                             | *44881                                 | HARNESS - INSTRUMENT PANEL                    | 1                              |                               |

CHAMPION ROAD MACHINERY



EFFECTIVE SERIAL NUMBERS)  
 NUMEROSI DE SÉRIE EFFECTIFS)  
 NUMEROSI DE SERIE EFECTIVOS)

19292 & UP

700 SERIES  
 SERIE 700

SECTION 10 PAGE  
 SECCION 10 PAGINA 5

ISSUE No.  
 N° D'ÉMISSION  
 N° DE EDICION 3 REVISION A

WIRING HARNESS & SENDING UNITS

APRIL 1989

FOR LIST OF PARTS - TURN THIS PAGE

POUR LA LISTE DES PIÈCES - VOIR AU VERSO

PARA LA LISTA DE LAS PIEZAS - VER AL VERSO

USE ONLY CHAMPION ROAD MACHINERY APPROVED PARTS

| SECTION<br>SECCION |  | PAGE<br>PAGINA                            |                                | ISSUE No.<br>N° D'ÉMISSION<br>N° DE EDICION           |                 | WIRING HARNESS & SENDING UNITS         |   |                                | APRIL 1989                    |  |
|--------------------|--|---|--------------------------------|---|-----------------|--|---|--------------------------------|-------------------------------|--|
| No.<br>N°<br>N°    | PART No.<br>N° DE PIÈCE<br>N° DE PIEZA | DESCRIPTION<br>DÉSCRIPTION<br>DESCRIPCION | No. REQ.<br>N° REQ.<br>N° REQ. | REMARKS<br>REMARQUES<br>NOTAS                         | No.<br>N°<br>N° | PART No.<br>N° DE PIECE<br>N° DE PIEZA | DESCRIPTION<br>DÉSCRIPTION<br>DESCRIPCION     | No. REQ.<br>N° REQ.<br>N° REQ. | REMARKS<br>REMARQUES<br>NOTAS |  |
| 1                  | 5618                                   | IGNITION SWITCH & KEYS                    | 1                              |   | 42              | 46663                                  | HARNESS - FLOAT VALVES                        | A.R.                           | OPTIONAL                      |  |
| 2                  | 15201                                  | BACK-UP ALARM                             | 1                              |   | 43              | *48868                                 | HARNESS - DRUM BRAKES - CHASSIS               | 1                              |                               |  |
| 3                  | 19725                                  | SOLENOID - 12 VOLT                        | 2                              |   | 44              | *48869                                 | HARNESS - DRUM BRAKES WARNING                 | 1                              |                               |  |
| 4                  | 32316                                  | CLIP - 3/8"                               | 8                              |   | 45              | *48877                                 | HARNESS - DRUM BRAKES CONSOLE                 | 1                              |                               |  |
| 5                  | 32317                                  | CLIP - 1/2"                               | 2                              |   | 46              | 49473                                  | HARNESS - FLOAT VALVE                         | 1                              |                               |  |
| 6                  | 32318                                  | CLIP - 3/4"                               | 4                              |   | 47              | 49474                                  | HARNESS - FLOAT VALVE                         | 1                              |                               |  |
| 7                  | 32319                                  | CLIP - 1"                                 | 3                              |   | 48              | *49634                                 | HARNESS - TIRE PUMP                           | 1                              |                               |  |
| 8                  | 32320                                  | CLIP - 1 1/4"                             | 1                              |   |                 |  |   |                                |                               |  |
| 9                  | *48872                                 | ADAPTER PLATE                             | 1                              |   |                 |  | <b>SENDING UNITS</b>                          |                                |                               |  |
| 10                 | 115B-0402                              | REDUCER                                   | 1                              |   | 49              | 1684                                   | BRAKE SWITCH                                  | 2                              |                               |  |
| 11                 | 115B-0806                              | REDUCER                                   | 2                              |   | 50              | 9670                                   | SWITCH - HOUR METER                           | 1                              |                               |  |
| 12                 | 50A-0408                               | BOLT                                      | 8                              |   | 51              | 9758                                   | ALARMSTAT                                     | 1                              | OPTIONAL                      |  |
| 13                 | 14A-04                                 | LOCKWASHER                                | 8                              |   | 52              | 11772                                  | PRESSURESTAT                                  | 1                              | OPTIONAL                      |  |
| 14                 | 30A-04                                 | NUT                                       | 8                              |   | 53              | 11785                                  | GASKET - FUEL SENDER                          | 1                              |                               |  |
| 15                 | 14A-06                                 | LOCKWASHER                                | 2                              |   | 54              | 24589                                  | FUEL LEVEL                                    | 1                              |                               |  |
| 16                 | 30A-06                                 | NUT                                       | 2                              |   | 55              | 28691                                  | COOLANT TEMPERATURE                           | 1                              |                               |  |
|                    |  | <b>WIRING HARNESS</b>                     |                                |   | 56              | 40848                                  | TRANSMISSION OIL PRESSURE - INCLUDES HARNESS  | 1                              |                               |  |
| 17                 | 28377                                  | HARNESS - FRONT HEADLIGHTS                | 1                              | OPTIONAL  | 57              | 41534                                  | PRESSURE SWITCH - INCLUDES HARNESS            | 1                              |                               |  |
| 18                 | 28384                                  | HARNESS - BACK-UP LIGHTS                  | 1                              |   | 58              | 41787                                  | ENGINE OIL PRESSURE                           | 1                              |                               |  |
| 19                 | 28390                                  | HARNESS - 1 WIRE ACCESSORY                | A.R.                           |   | 59              | 10076                                  | TEMPERATURE SENDER - 8400 TRANSMISSION        | 1                              | OPTIONAL                      |  |
| 20                 | 28391                                  | HARNESS - 2 WIRE ACCESSORY                | A.R.                           |   | 60              | 15801                                  | OIL PRESSURE SENDER - 8400 TRANSMISSION       | 1                              | OPTIONAL                      |  |
| 21                 | 28394                                  | HARNESS - FRONT MOUNT WING                | 1                              | OPTIONAL  | 61              | 130B-03                                | RING TERMINAL                                 | A.R.                           |                               |  |
| 22                 | 28395                                  | HARENSS - REAR MOUNT WING                 | 1                              | OPTIONAL  | 62              | 130B-04                                | RING TERMINAL                                 | A.R.                           |                               |  |
| 23                 | 28396                                  | HARNESS - FRONT MOUNT WING                | 1                              | OPTIONAL  | 63              | 130C-03                                | RING TERMINAL                                 | A.R.                           |                               |  |
| 24                 | 29756                                  | HARNESS - TRANSMISSION                    | 1                              |   | 64              | 131B-04                                | SPADE TERMINAL                                | A.R.                           |                               |  |
| 25                 | 32375                                  | HARNESS - HEATER MOTOR                    | 1                              |   | 65              | 134B-180                               | MALE BULLET                                   | A.R.                           |                               |  |
| 26                 | *40483                                 | HARNESS - OIL DISC BRAKES                 | 1                              |   | 66              | 135B-21                                | FEMALE BULLET                                 | A.R.                           |                               |  |
| 27                 | 40484                                  | HARNESS - ARTICULATION SWITCH             | 1                              |   |                 |  | <b>TROPICAL PROTECTION PACKAGE - OPTIONAL</b> |                                |                               |  |
| 28                 | 40488                                  | HARNESS - INSTRUMENT PANEL POWER          | 1                              |   | 67              | 44881                                  | HARNESS- INSTRUMENT PANEL                     | 1                              |                               |  |
| 29                 | 40665                                  | WIRE - SOLENOID TO SOLENOID               | 1                              |   |                 |  |   |                                |                               |  |
| 30                 | 40931                                  | HARNESS - UPPER CAB                       | 1                              |   |                 |  |   |                                |                               |  |
| 31                 | 40950                                  | HARNESS - STOP & REAR TAIL LIGHTS         | 1                              |   |                 |  |   |                                |                               |  |
| 32                 | 40951                                  | HARNESS - REAR CHASSIS                    | 1                              |   |                 |  |   |                                |                               |  |
| 33                 | *41654                                 | HARNESS - OIL DISC BRAKES                 | 1                              |   |                 |  |   |                                |                               |  |
| 34                 | 43640                                  | FEED WIRE - TRANSMISSION                  | 1                              |   |                 |  |   |                                |                               |  |
| 35                 | 43950                                  | HARNESS - INSTRUMENT PANEL                | 1                              |   |                 |  |   |                                |                               |  |
| 36                 | 43689                                  | HARNESS - MAIN CHASSIS                    | 1                              |   |                 |  |   |                                |                               |  |
| 37                 | 43690                                  | HARNESS - STEERING COLUMN                 | 1                              |   |                 |  |   |                                |                               |  |
| 38                 | 43692                                  | HARNESS - ENGINE - 6BT                    | 1                              | 710/710A  |                 |  |   |                                |                               |  |
| 39                 | 43693                                  | HARNESS - ENGINE - L10                    | 1                              | 740 thru 780A   |                 |  |   |                                |                               |  |
| 40                 | 43993                                  | HARNESS - TRANSMISSION                    | 1                              |   |                 |  |   |                                |                               |  |
|                    | *45701                                 | HARNESS - ENGINE - 6CT                    | 1                              | 720 thru 730A   |                 |  |   |                                |                               |  |
| 41                 | *43694                                 | HARNESS - ENGINE - 6CT                    | 1                              | S/N 18599 & UP<br>720 thru 730A<br>UP TO<br>S/N 18598 |                 |  |   |                                |                               |  |



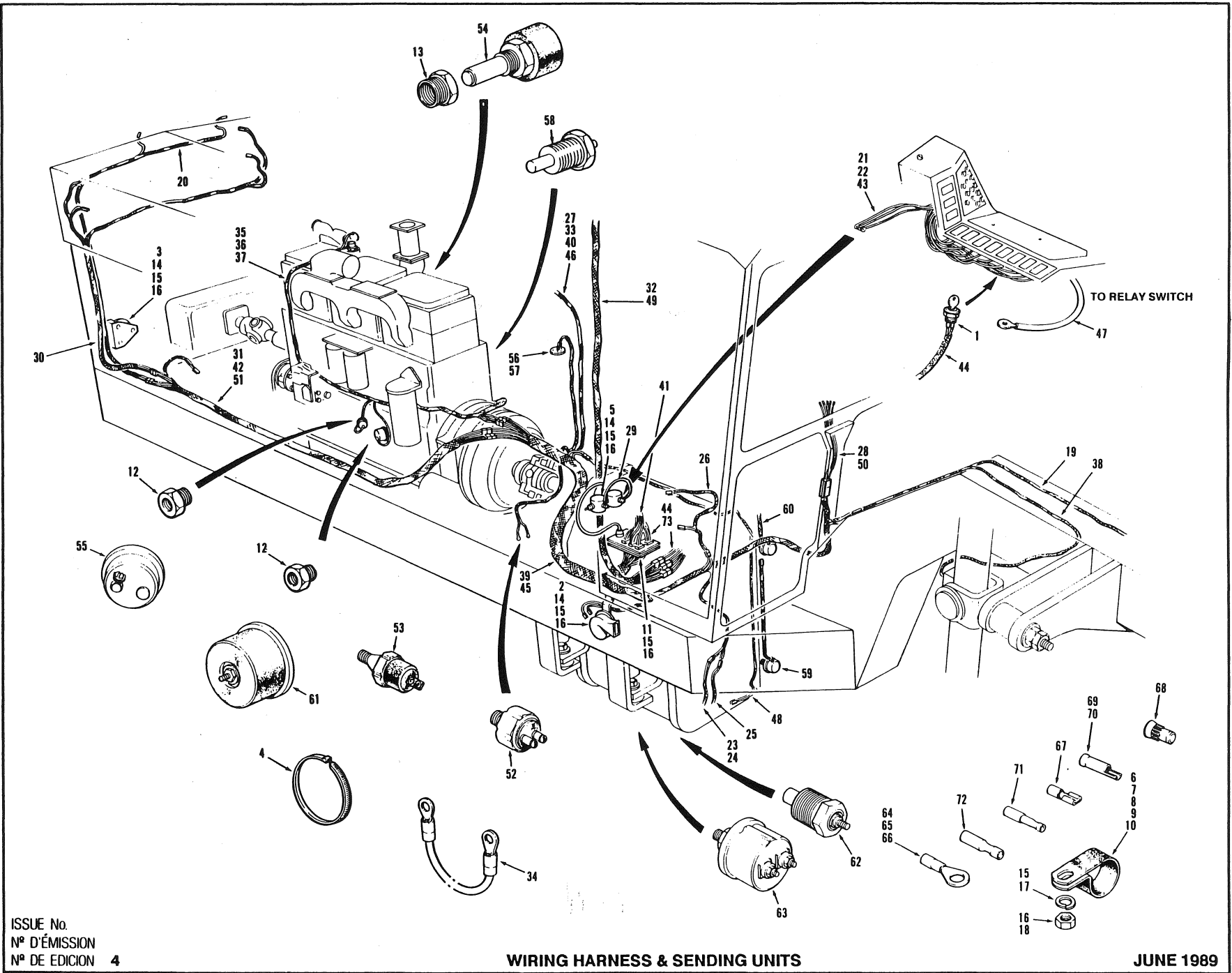
CHAMPION ROAD MACHINERY

EFFECTIVE SERIAL NUMBER(S)  
 NUMEROS DE SERIE EFFECTIFS  
 NUMEROS DE SERIE EFFECTIVOS

19843 & UP

700 SERIES  
 SERIE 700

SECTION 10 PAGE  
 SECCION 10 PAGINA 5



USE ONLY CHAMPION ROAD MACHINERY APPROVED PARTS

ISSUE No.  
 N° D'ÉMISSION  
 N° DE EDICION 4

WIRING HARNESS & SENDING UNITS

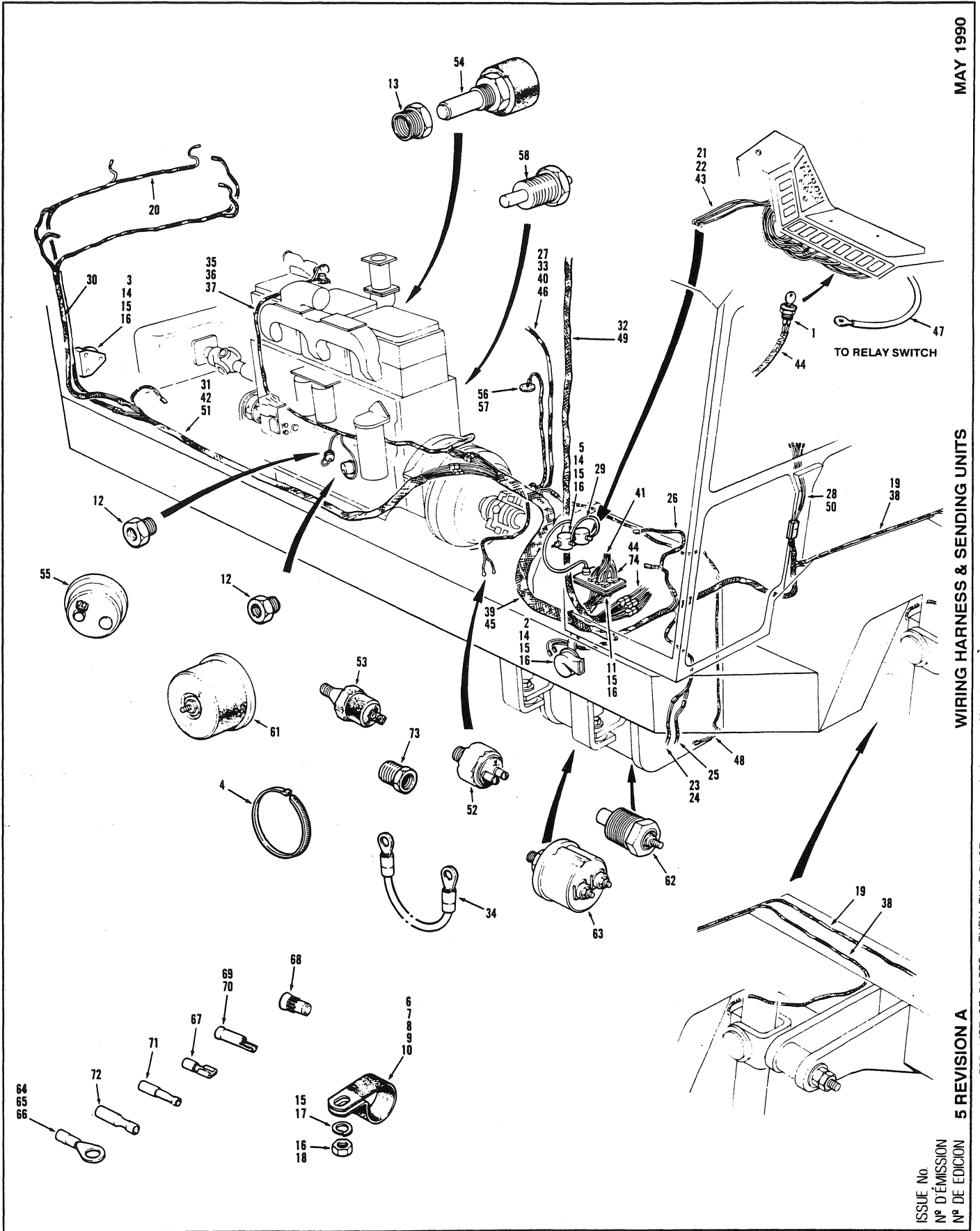
JUNE 1989

FOR LIST OF PARTS - TURN THIS PAGE

POUR LA LISTE DES PIÈCES - VOIR AU VERSO

PARA LA LISTA DE LAS PIEZAS - VER AL VERSO

| SECTION<br>SECCION | 10                                     | PAGE<br>PAGINA                            | 6                              | ISSUE No.<br>N° D'ÉMISSION<br>N° DE EDICION | 4               | WIRING HARNESS & SENDING UNITS         |  |                                |                               | JUNE 1989 |
|--------------------|--|---|--------------------------------|---|-----------------|--|--|--------------------------------|-------------------------------|-----------|
| No.<br>N°<br>N°    | PART No.<br>N° DE PIÈCE<br>N° DE PIEZA | DESCRIPTION<br>DÉSCRIPTION<br>DESCRIPCION | No. REQ.<br>N° REQ.<br>N° REQ. | REMARKS<br>REMARQUES<br>NOTAS               | No.<br>N°<br>N° | PART No.<br>N° DE PIECE<br>N° DE PIEZA | DESCRIPTION<br>DÉSCRIPTION<br>DESCRIPCION    | No. REQ.<br>N° REQ.<br>N° REQ. | REMARKS<br>REMARQUES<br>NOTAS |           |
| 1                  | 5618                                   | IGNITION SWITCH & KEYS                    | 1                              |   | 47              | *51152                                 | FEED WIRE - TRANSMISSION                     | 1                              |                               |           |
| 2                  | 9685                                   | HORN                                      | 1                              |   | 48              | *51164                                 | HARNESS - TRANSMISSION                       | 1                              |                               |           |
| 3                  | 15201                                  | BACK-UP ALARM                             | 1                              |   | 49              | *51178                                 | HARNESS - UPPER CAB                          | 1                              |                               |           |
| 4                  | *15774                                 | PLASTIC TIE                               | 12                             |   | 50              | *51180                                 | HARNESS - STEERING COLUMN                    | 1                              |                               |           |
| 5                  | 19725                                  | SOLENOID - 12 VOLT                        | 2                              |   | 51              | *52082                                 | HARNESS - DIFFERENTIAL - LOCK                | 1                              |                               |           |
| 6                  | 32316                                  | CLIP - 3/8"                               | 8                              |   |                 |  |  |                                |                               |           |
| 7                  | 32317                                  | CLIP - 1/2"                               | 2                              |   |                 |  |  |                                |                               |           |
| 8                  | 32318                                  | CLIP - 3/4"                               | 4                              |   |                 |  |  |                                |                               |           |
| 9                  | 32319                                  | CLIP - 1"                                 | 3                              |   |                 |  |  |                                |                               |           |
| 10                 | 32320                                  | CLIP - 1 1/4"                             | 1                              |   | 52              | 1684                                   | BRAKE SWITCH                                 | 2                              |                               |           |
| 11                 | 48872                                  | ADAPTER PLATE                             | 1                              |   | 53              | 9670                                   | SWITCH - HOUR METER                          | 1                              |                               |           |
| 12                 | 115B-0402                              | REDUCER                                   | 1                              |   | 54              | 9758                                   | ALARMSTAT                                    | 1                              | OPTIONAL                      |           |
| 13                 | 115B-0806                              | REDUCER                                   | 2                              |   | 55              | 11772                                  | PRESSURE STAT                                | 1                              | OPTIONAL                      |           |
| 14                 | 50A-0408                               | BOLT                                      | 8                              |   | 56              | 11785                                  | GASKET - FUEL SENDER                         | 1                              |                               |           |
| 15                 | 14A-04                                 | LOCKWASHER                                | 8                              |   | 57              | 24589                                  | FUEL LEVEL                                   | 1                              |                               |           |
| 16                 | 30A-04                                 | NUT                                       | 8                              |   | 58              | 28691                                  | COOLANT TEMPERATURE                          | 1                              |                               |           |
| 17                 | 14A-06                                 | LOCKWASHER                                | 2                              |   | 59              | 40848                                  | TRANSMISSION OIL - LOW LUBE-PRESSURE         |                                |                               |           |
| 18                 | 30A-06                                 | NUT                                       | 2                              |   |                 |  | INCLUDES HARNESS                             | 1                              |                               |           |
|                    |  | <b>WIRING HARNESS</b>                     |                                |   | 60              | 41534                                  | PRESSURE SWITCH - LOCK-UP - INCLUDES HARNESS | 1                              |                               |           |
| 19                 | 28377                                  | HARNESS - FRONT HEADLIGHTS                | 1                              | OPTIONAL                                    | 61              | 41787                                  | ENGINE OIL PRESSURE                          | 1                              |                               |           |
| 20                 | 28384                                  | HARNESS - BACK-UP LIGHTS                  | 1                              |   | 62              | 10076                                  | TEMPERATURE SENDER - 8400 TRANSMISSION       | 1                              | OPTIONAL                      |           |
| 21                 | 28390                                  | HARNESS - 1 WIRE ACCESSORY                | A.R.                           |   | 63              | 15801                                  | OIL PRESSURE SENDER - 8400 TRANSMISSION      | 1                              | OPTIONAL                      |           |
| 22                 | 28391                                  | HARNESS - 2 WIRE ACCESSORY                | A.R.                           |   | 64              | 130B-03                                | RING TERMINAL                                | A.R.                           |                               |           |
| 23                 | 28394                                  | HARNESS - FRONT MOUNT WING                | 1                              | OPTIONAL                                    | 65              | 130B-04                                | RING TERMINAL                                | A.R.                           |                               |           |
| 24                 | 28395                                  | HARNESS - REAR MOUNT WING                 | 1                              | OPTIONAL                                    | 66              | 130C-03                                | RING TERMINAL                                | A.R.                           |                               |           |
| 25                 | 28396                                  | HARNESS - FRONT MOUNT WING                | 1                              | OPTIONAL                                    | 67              | 131B-04                                | SPADE TERMINAL                               | A.R.                           |                               |           |
| 26                 | 32375                                  | HARNESS - HEATER MOTOR                    | 1                              |   | 68              | *132A-00                               | CLOSED END TERMINAL                          | A.R.                           |                               |           |
| 27                 | 40483                                  | HARNESS - OIL DISC BRAKES                 | 1                              |   | 69              | 133B-00                                | BUTT CONNECTOR                               | A.R.                           |                               |           |
| 28                 | 40484                                  | HARNESS - ARTICULATION SWITCH             | 1                              |   | 70              | 133C-00                                | BUTT CONNECTOR                               | A.R.                           |                               |           |
| 29                 | 40665                                  | WIRE - SOLENOID TO SOLENOID               | 1                              |   | 71              | 134B-180                               | MALE BULLET                                  | A.R.                           |                               |           |
| 30                 | 40950                                  | HARNESS - STOP & REAR TAIL LIGHTS         | 1                              |   | 72              | 135B-21                                | FEMALE BULLET                                | A.R.                           |                               |           |
| 31                 | 40951                                  | HARNESS - REAR CHASSIS                    | 1                              |   |                 |  |  |                                |                               |           |
| 32                 | *41447                                 | HARNESS - AIR CONDITIONER                 | 1                              |   | 73              | 49081                                  | HARNESS - INSTRUMENT PANEL                   | 1                              |                               |           |
| 33                 | 41654                                  | HARNESS - OIL DISC BRAKES                 | 1                              |   |                 |  |  |                                |                               |           |
| 34                 | *41700                                 | WIRE - JUMPER - OIL DISC BRAKES           | 1                              |   |                 |  |  |                                |                               |           |
| 35                 | 43692                                  | HARNESS - ENGINE                          | 1                              | 710/710A                                    |                 |  |  |                                |                               |           |
| 36                 | 43693                                  | HARNESS - ENGINE                          | 1                              | 740 thru 780A                               |                 |  |  |                                |                               |           |
| 37                 | 45701                                  | HARNESS - ENGINE                          | 1                              | 720 thru 730A                               |                 |  |  |                                |                               |           |
| 38                 | 46663                                  | HARNESS - FLOAT VALVES                    | A.R.                           | OPTIONAL                                    |                 |  |  |                                |                               |           |
| 39                 | 48868                                  | HARNESS - DRUM BRAKES - CHASSIS           | 1                              |   |                 |  |  |                                |                               |           |
| 40                 | 48869                                  | HARNESS - DRUM BRAKES - WARNING           | 1                              |   |                 |  |  |                                |                               |           |
| 41                 | 48877                                  | HARNESS - DRUM BRAKES - CONSOLE           | 1                              |   |                 |  |  |                                |                               |           |
| 42                 | *48926                                 | HARNESS - SUPPLEMENTAL STEERING           | 1                              |   |                 |  |  |                                |                               |           |
| 43                 | *48958                                 | HARNESS - INSTRUMENT PANEL POWER          | 1                              |   |                 |  |  |                                |                               |           |
| 44                 | *48959                                 | HARNESS - INSTRUMENT PANEL                | 1                              |   |                 |  |  |                                |                               |           |
| 45                 | 49092                                  | HARNESS - MAIN CHASSIS                    | 1                              |   |                 |  |  |                                |                               |           |
| 46                 | 49634                                  | HARNESS - TIRE PUMP                       | 1                              |   |                 |  |  |                                |                               |           |



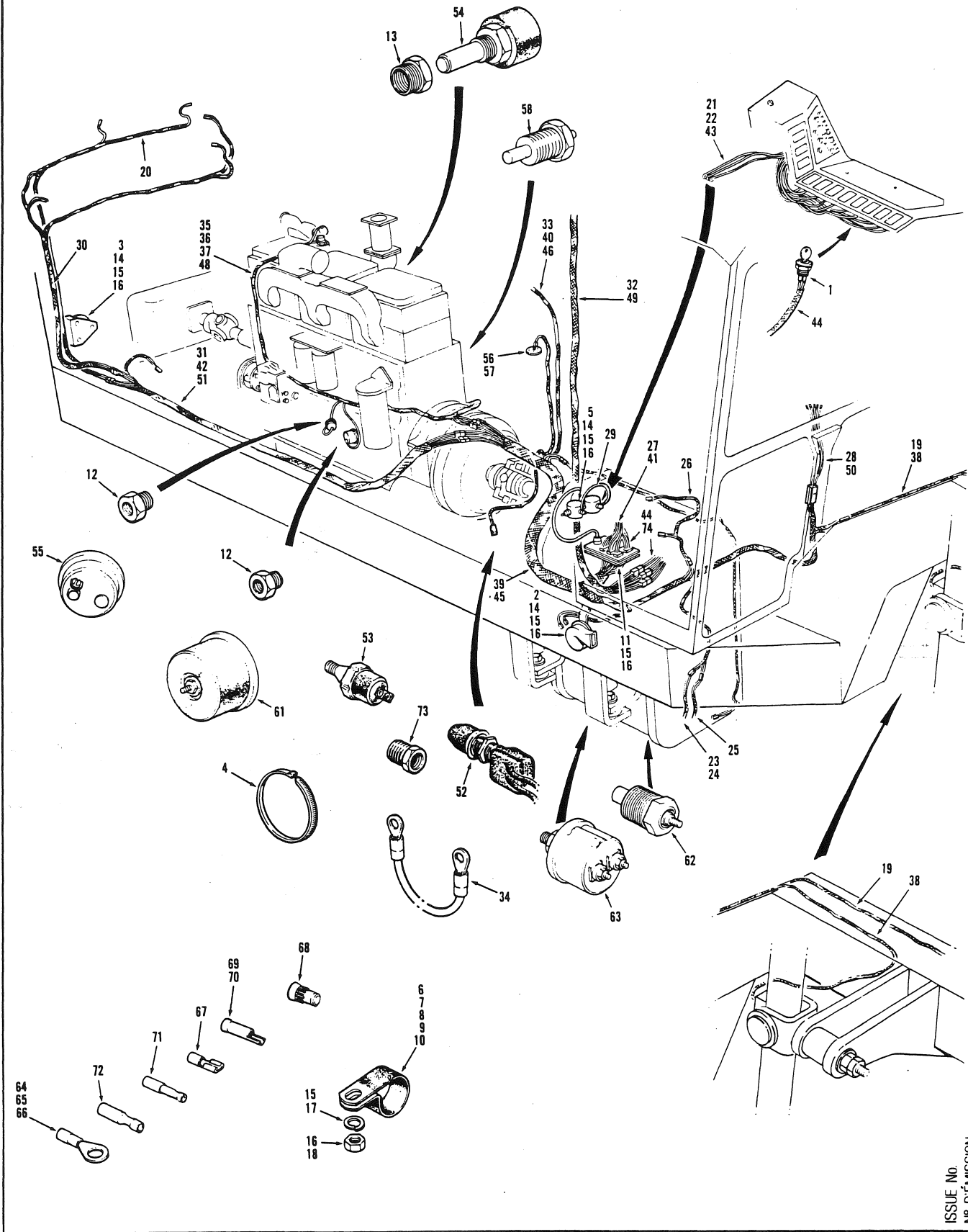
EFFECTIVE SERIAL NUMBER(S)  
NUMERO(S) DE SÉRIE EFFECTIF(S)  
NUMERO(S) DE SERIE EFECTIVO(S)

19982, 19984, 19985, 19996,  
20005, 20227 to 20232, 20265  
to 20375, 20383 & UP

**700 SERIES**  
**SERIE 700**

**SECTION 10** **PAGE 5**  
**SECCION 10** **PAGINA 5**

| SECTION<br>SECCION | 10                                     | PAGE<br>PAGINA                            | 6                             | ISSUE No.<br>N° D'ÉMISSION<br>N° DE EDICION | 5 REVISION A    | WIRING HARNESS & SENDING UNITS         |   |                               | MAY1990                       |
|--------------------|--|---|-------------------------------|---|-----------------|--|---|-------------------------------|-------------------------------|
| No.<br>N°<br>N°    | PART No.<br>N° DE PIÈCE<br>N° DE PIEZA | DESCRIPTION<br>DESCRIPTION<br>DESCRIPCION | No. REQ<br>N° REQ.<br>N° REQ. | REMARKS<br>REMARQUES<br>NOTAS               | No.<br>N°<br>N° | PART No.<br>N° DE PIÈCE<br>N° DE PIEZA | DESCRIPTION<br>DESCRIPTION<br>DESCRIPCION       | No. REQ<br>N° REQ.<br>N° REQ. | REMARKS<br>REMARQUES<br>NOTAS |
| 1                  | 5618                                   | IGNITION SWITCH & KEYS                    | 1                             |   | 47              | 51152                                  | FEED WIRE - TRANSMISSION                        | 1                             |                               |
| 2                  | 9685                                   | HORN                                      | 1                             |   | 48              | 54258                                  | HARNESS - TRANSMISSION                          | 1                             |                               |
| 3                  | 15201                                  | BACK-UP ALARM                             | 1                             |   | 49              | 51178                                  | HARNESS - UPPER CAB                             | 1                             |                               |
| 4                  | 15774                                  | PLASTIC TIE                               | 12                            |   | 50              | 51180                                  | HARNESS - STEERING COLUMN                       | 1                             |                               |
| 5                  | *55156                                 | SOLENOID - 12 VOLT                        | 2                             |   | 51              | 52082                                  | HARNESS - DIFFERENTIAL - LOCK                   | 1                             |                               |
|                    | *55157                                 | GROUND HARNESS                            | 2                             |   |                 |  |   |                               |                               |
| 6                  | 32316                                  | CLIP - 3/8"                               | 8                             |   |                 |  | <b>SENDING UNITS</b>                            |                               |                               |
| 7                  | 32317                                  | CLIP - 1/2"                               | 2                             |   | 52              | 1684                                   | BRAKE SWITCH                                    | 2                             |                               |
| 8                  | 32318                                  | CLIP - 3/4"                               | 4                             |   | 53              | 9670                                   | SWITCH - HOUR METER                             | 1                             |                               |
| 9                  | 32319                                  | CLIP - 1"                                 | 3                             |   | 54              | 9758                                   | ALARMSTAT                                       | 1                             | OPTIONAL                      |
| 10                 | 32320                                  | CLIP - 1 1/4"                             | 1                             |   | 55              | 11772                                  | PRESSURE STAT                                   | 1                             | OPTIONAL                      |
| 11                 | 48872                                  | ADAPTER PLATE                             | 1                             |   | 56              | 11785                                  | GASKET - FUEL SENDER                            | 1                             |                               |
| 12                 | 115B-0402                              | REDUCER                                   | 1                             |   | 57              | 52881                                  | FUEL LEVEL                                      | 1                             |                               |
| 13                 | 115B-0806                              | REDUCER                                   | 2                             |   | 58              | 28691                                  | COOLANT TEMPERATURE                             | 1                             |                               |
| 14                 | 50A-0408                               | BOLT                                      | 8                             |   | 61              | *57170                                 | ENGINE OIL PRESSURE                             | 1                             |                               |
| 15                 | 14A-04                                 | LOCKWASHER                                | 8                             |   | 62              | 10076                                  | TEMPERATURE SENDER - 8400 TRANSMISSION          | 1                             | OPTIONAL                      |
| 16                 | 30A-04                                 | NUT                                       | 8                             |   | 63              | 15801                                  | OIL PRESSURE SENDER - 8400 TRANSMISSION         | 1                             | OPTIONAL                      |
| 17                 | 14A-06                                 | LOCKWASHER                                | 2                             |   | 64              | 130B-03                                | RING TERMINAL                                   | A.R.                          |                               |
| 18                 | 30A-06                                 | NUT                                       | 2                             |   | 65              | 130B-04                                | RING TERMINAL                                   | A.R.                          |                               |
|                    |  | <b>WIRING HARNESS</b>                     |                               |   | 66              | 130C-03                                | RING TERMINAL                                   | A.R.                          |                               |
| 19                 | 28377                                  | HARNESS - FRONT HEADLIGHTS                | 1                             | OPTIONAL                                    | 67              | 131B-04                                | SPADE TERMINAL                                  | A.R.                          |                               |
| 20                 | 52845                                  | HARNESS - BACK-UP LIGHTS                  | 1                             |   | 68              | 132A-00                                | CLOSED END TERMINAL                             | A.R.                          |                               |
| 21                 | 28390                                  | HARNESS - 1 WIRE ACCESSORY                | A.R.                          |   | 69              | 133B-00                                | BUTT CONNECTOR                                  | A.R.                          |                               |
| 22                 | 28391                                  | HARNESS - 2 WIRE ACCESSORY                | A.R.                          |   | 70              | 133C-00                                | BUTT CONNECTOR                                  | A.R.                          |                               |
| 23                 | 28394                                  | HARNESS - FRONT MOUNT WING                | 1                             | OPTIONAL                                    | 71              | 134B-180                               | MALE BULLET                                     | A.R.                          |                               |
| 24                 | 28395                                  | HARNESS - REAR MOUNT WING                 | 1                             | OPTIONAL                                    | 72              | 135B-21                                | FEMALE BULLET                                   | A.R.                          |                               |
| 25                 | 28396                                  | HARNESS - FRONT MOUNT WING                | 1                             | OPTIONAL                                    | 73              | *115B-1206                             | REDUCER   | A.R.                          |                               |
| 26                 | 32375                                  | HARNESS - HEATER MOTOR                    | 1                             |   |                 |  | <b>TROPICAL PROTECTIONAL PACKAGE - OPTIONAL</b> |                               |                               |
| 27                 | 40483                                  | HARNESS - OIL DISC BRAKES                 | 1                             |   | 74              | 49081                                  | HARNESS - INSTRUMENT PANEL                      | 1                             |                               |
| 28                 | 40484                                  | HARNESS - ARTICULATION SWITCH             | 1                             |   |                 |  |   |                               |                               |
| 29                 | 40665                                  | WIRE - SOLENOID TO SOLENOID               | 1                             |   |                 |  |   |                               |                               |
| 30                 | 52705                                  | HARNESS - STOP & REAR TAIL LIGHTS         | 1                             |   |                 |  |   |                               |                               |
| 31                 | 40951                                  | HARNESS - REAR CHASSIS                    | 1                             |   |                 |  |   |                               |                               |
| 32                 | 41447                                  | HARNESS - AIR CONDITIONER                 | 1                             |   |                 |  |   |                               |                               |
| 33                 | 41654                                  | HARNESS - OIL DISC BRAKES                 | 1                             |   |                 |  |   |                               |                               |
| 34                 | 41700                                  | WIRE - JUMPER - OIL DISC BRAKES           | 1                             |   |                 |  |   |                               |                               |
| 35                 | 43692                                  | HARNESS - ENGINE                          | 1                             | 710/710A                                    |                 |  |   |                               |                               |
| 36                 | 43693                                  | HARNESS - ENGINE                          | 1                             | 740 thru 780A                               |                 |  |   |                               |                               |
| 37                 | 45701                                  | HARNESS - ENGINE                          | 1                             | 720 thru 730A                               |                 |  |   |                               |                               |
| 38                 | 46663                                  | HARNESS - FLOAT VALVES                    | A.R.                          | OPTIONAL                                    |                 |  |   |                               |                               |
| 39                 | 48868                                  | HARNESS - DRUM BRAKES - CHASSIS           | 1                             |   |                 |  |   |                               |                               |
| 40                 | 48869                                  | HARNESS - DRUM BRAKES - WARNING           | 1                             |   |                 |  |   |                               |                               |
| 41                 | 48877                                  | HARNESS - DRUM BRAKES - CONSOLE           | 1                             |   |                 |  |   |                               |                               |
| 42                 | 48926                                  | HARNESS - SUPPLEMENTAL STEERING           | 1                             |   |                 |  |   |                               |                               |
| 43                 | 48958                                  | HARNESS - INSTRUMENT PANEL POWER          | 1                             |   |                 |  |   |                               |                               |
| 44                 | 48959                                  | HARNESS - INSTRUMENT PANEL                | 1                             |   |                 |  |   |                               |                               |
| 45                 | 49092                                  | HARNESS - MAIN CHASSIS                    | 1                             |   |                 |  |   |                               |                               |
| 46                 | 49634                                  | HARNESS - TIRE PUMP                       | 1                             |   |                 |  |   |                               |                               |



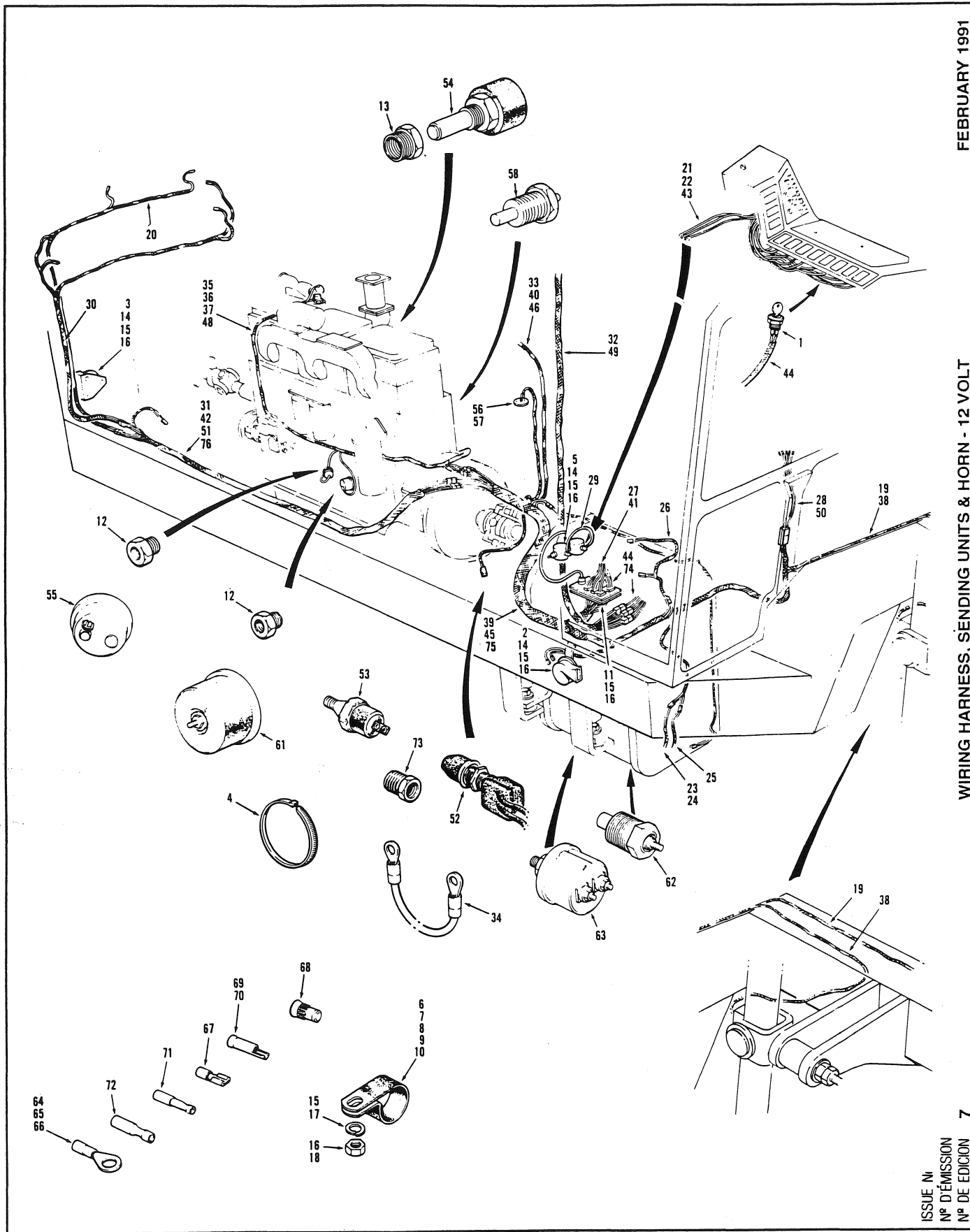
ISSUE No.  
N° D'ÉMISSION  
N° DE EDICIÓN

EFFECTIVE SERIAL NUMBER(S) 20830 & UP  
 NUMERO(S) DE SÉRIE EFFECTIF(S)  
 NUMERO(S) DE SERIE EFECTIVO(S)

700 SERIES  
 SERIE 700

SECTION 10 PAGE 5  
 SECCION 10 PAGINA 5

| SECTION<br>SECCION |  | PAGE<br>PAGINA                            |                                | ISSUE No.<br>N° D'ÉMISSION<br>N° DE EDICION |                 | WIRING HARNESS & SENDING UNITS         |   |                                | SEPTEMBER1990                 |  |
|--------------------|--|---|--------------------------------|---|-----------------|--|---|--------------------------------|-------------------------------|--|
| No.<br>N°<br>N°    | PART No.<br>N° DE PIÈCE<br>N° DE PIEZA | DESCRIPTION<br>DESCRIPTION<br>DESCRIPCION | No. REQ.<br>N° REQ.<br>N° REQ. | REMARKS<br>REMARQUES<br>NOTAS               | No.<br>N°<br>N° | PART No.<br>N° DE PIECE<br>N° DE PIEZA | DESCRIPTION<br>DESCRIPTION<br>DESCRIPCION       | No. REQ.<br>N° REQ.<br>N° REQ. | REMARKS<br>REMARQUES<br>NOTAS |  |
| 1                  | *57171                                 | IGNITION SWITCH & KEYS                    | 1                              |   | 48              | *57211                                 | HARNESS - ENGINE WARNING                        | 1                              |                               |  |
| 2                  | 9685                                   | HORN                                      | 1                              |   | 49              | 51178                                  | HARNESS - UPPER CAB                             | 1                              |                               |  |
| 3                  | 15201                                  | BACK-UP ALARM                             | 1                              |   | 50              | 51180                                  | HARNESS - STEERING COLUMN                       | 1                              |                               |  |
| 4                  | 15774                                  | PLASTIC TIE                               | 12                             |   | 51              | 52082                                  | HARNESS - DIFFERENTIAL - LOCK                   | 1                              |                               |  |
| 5                  | 55156                                  | SOLENOID - 12 VOLT                        | 2                              |   |                 |  | <b>SENDING UNITS</b>                            |                                |                               |  |
|                    | 55157                                  | GROUND HARNESS                            | 2                              |   |                 |  |   |                                |                               |  |
| 6                  | 32316                                  | CLIP - 3/8"                               | 8                              |   | 52              | *56775                                 | BRAKE SWITCH                                    | 1                              |                               |  |
| 7                  | 32317                                  | CLIP - 1/2"                               | 2                              |   | 53              | 9670                                   | SWITCH - HOUR METER                             | 1                              |                               |  |
| 8                  | 32318                                  | CLIP - 3/4"                               | 4                              |   | 54              | 9758                                   | ALARMSTAT                                       | 1                              | OPTIONAL                      |  |
| 9                  | 32319                                  | CLIP - 1"                                 | 3                              |   | 55              | 11772                                  | PRESSURE STAT                                   | 1                              | OPTIONAL                      |  |
| 10                 | 32320                                  | CLIP - 1 1/4"                             | 1                              |   | 56              | 11785                                  | GASKET - FUEL SENDER                            | 1                              |                               |  |
| 11                 | 48872                                  | ADAPTER PLATE                             | 1                              |   | 57              | 52881                                  | FUEL LEVEL                                      | 1                              |                               |  |
| 12                 | 115B-0402                              | REDUCER                                   | 1                              |   | 58              | 28691                                  | COOLANT TEMPERATURE                             | 1                              |                               |  |
| 13                 | 115B-0806                              | REDUCER                                   | 2                              |   | 61              | 57170                                  | ENGINE OIL PRESSURE                             | 1                              |                               |  |
| 14                 | 50A-0408                               | BOLT                                      | 8                              |   | 62              | 10076                                  | TEMPERATURE SENDER - 8400 TRANSMISSION          | 1                              | OPTIONAL                      |  |
| 15                 | 14A-04                                 | LOCKWASHER                                | 8                              |   | 63              | 15801                                  | OIL PRESSURE SENDER - 8400 TRANSMISSION         | 1                              | OPTIONAL                      |  |
| 16                 | 30A-04                                 | NUT                                       | 8                              |   | 64              | 130B-03                                | RING TERMINAL                                   | 3                              |                               |  |
| 17                 | 14A-06                                 | LOCKWASHER                                | 2                              |   | 65              | 130B-04                                | RING TERMINAL                                   | 1                              |                               |  |
| 18                 | 30A-06                                 | NUT                                       | 2                              |   | 66              | 130C-03                                | RING TERMINAL                                   | 3                              |                               |  |
|                    |  | <b>WIRING HARNESS</b>                     |                                |   | 67              | 131B-04                                | SPADE TERMINAL                                  | 2                              |                               |  |
| 19                 | 28377                                  | HARNESS - FRONT HEADLIGHTS                | 1                              | OPTIONAL                                    | 68              | 132A-00                                | CLOSED END TERMINAL                             | 1                              |                               |  |
| 20                 | 52845                                  | HARNESS - BACK-UP LIGHTS                  | 1                              |   | 69              | 133B-00                                | BUTT CONNECTOR                                  | 1                              |                               |  |
| 21                 | 28390                                  | HARNESS - 1 WIRE ACCESSORY                | 1                              |   | 70              | 133C-00                                | BUTT CONNECTOR                                  | 1                              |                               |  |
| 22                 | 28391                                  | HARNESS - 2 WIRE ACCESSORY                | 1                              |   | 71              | 134B-180                               | MALE BULLET                                     | 2                              |                               |  |
| 23                 | 28394                                  | HARNESS - FRONT MOUNT WING                | 1                              | OPTIONAL                                    | 72              | 135B-21                                | FEMALE BULLET                                   | 2                              |                               |  |
| 24                 | 28395                                  | HARNESS - REAR MOUNT WING                 | 1                              | OPTIONAL                                    | 73              | 115B-1206                              | REDUCER   | 1                              |                               |  |
| 25                 | 28396                                  | HARNESS - FRONT MOUNT WING                | 1                              | OPTIONAL                                    |                 |  | <b>TROPICAL PROTECTIONAL PACKAGE - OPTIONAL</b> |                                |                               |  |
| 26                 | 32375                                  | HARNESS - HEATER MOTOR                    | 1                              |   | 74              | 49081                                  | HARNESS - INSTRUMENT PANEL                      | 1                              |                               |  |
| 27                 | *57206                                 | HARNESS - GROUND                          | 1                              |   |                 |  |   |                                |                               |  |
| 28                 | 40484                                  | HARNESS - ARTICULATION SWITCH             | 1                              |   |                 |  |   |                                |                               |  |
| 29                 | 40665                                  | WIRE - SOLENOID TO SOLENOID               | 1                              |   |                 |  |   |                                |                               |  |
| 30                 | 52705                                  | HARNESS - STOP & REAR TAIL LIGHTS         | 1                              |   |                 |  |   |                                |                               |  |
| 31                 | 40951                                  | HARNESS - REAR CHASSIS                    | 1                              |   |                 |  |   |                                |                               |  |
| 32                 | 41447                                  | HARNESS - AIR CONDITIONER                 | 1                              |   |                 |  |   |                                |                               |  |
| 33                 | 41654                                  | HARNESS - OIL DISC BRAKES                 | 1                              |   |                 |  |   |                                |                               |  |
| 34                 | 41700                                  | WIRE - JUMPER - OIL DISC BRAKES           | 1                              |   |                 |  |   |                                |                               |  |
| 35                 | 43692                                  | HARNESS - ENGINE                          | 1                              | 710/710A                                    |                 |  |   |                                |                               |  |
| 36                 | 43693                                  | HARNESS - ENGINE                          | 1                              | 740 thru 780A                               |                 |  |   |                                |                               |  |
| 37                 | 45701                                  | HARNESS - ENGINE                          | 1                              | 720 thru 730A                               |                 |  |   |                                |                               |  |
| 38                 | 46663                                  | HARNESS - FLOAT VALVES                    | 1                              | OPTIONAL                                    |                 |  |   |                                |                               |  |
| 39                 | *57203                                 | HARNESS - DRUM BRAKES - CHASSIS           | 1                              |   |                 |  |   |                                |                               |  |
| 40                 | *57202                                 | HARNESS - DRUM BRAKES - WARNING           | 1                              |   |                 |  |   |                                |                               |  |
| 41                 | *57212                                 | HARNESS - DRUM BRAKES - CONSOLE           | 1                              |   |                 |  |   |                                |                               |  |
| 42                 | *57215                                 | HARNESS - SUPPLEMENTAL STEERING           | 1                              |   |                 |  |   |                                |                               |  |
| 43                 | *57204                                 | HARNESS - INSTRUMENT PANEL POWER          | 1                              |   |                 |  |   |                                |                               |  |
| 44                 | *57205                                 | HARNESS - INSTRUMENT PANEL                | 1                              |   |                 |  |   |                                |                               |  |
| 45                 | *57214                                 | HARNESS - MAIN CHASSIS                    | 1                              |   |                 |  |   |                                |                               |  |
| 46                 | 49634                                  | HARNESS - TIRE PUMP                       | 1                              |   |                 |  |   |                                |                               |  |



EFFECTIVE SERIAL NUMBER(S)  
NUMERO(S) DE SÉRIE EFFECTIF(S)  
NUMERO(S) DE SERIE EFECTIVO(S)

21254 & UP

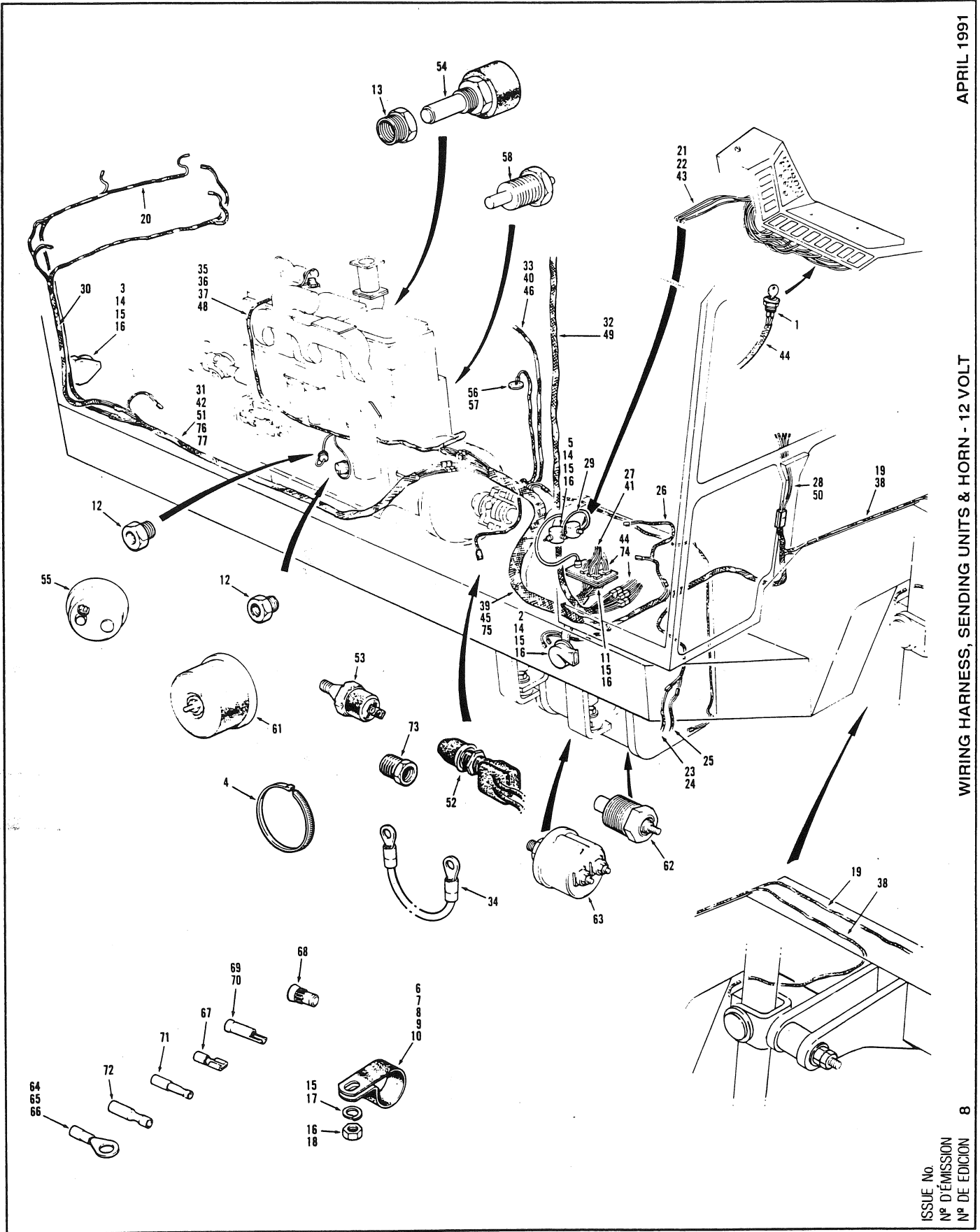
700 SERIES  
SERIE 700

SECTION 10 PAGE 5  
SECCION 10 PAGINA 5

| No. N° N° | PART No. N° DE PIÈCE N° DE PIEZA | DESCRIPTION DÉSCRIPTION DESCRIPCION | No. REQ. N° REQ. N° REQ. | REMARKS REMARQUES NOTAS | No. N° N° | PART No. N° DE PIECE N° DE PIEZA | DESCRIPTION DÉSCRIPTION DESCRIPCION            | No. REQ. N° REQ. N° REQ. | REMARKS REMARQUES NOTAS |
|-----------|----------------------------------|-------------------------------------|--------------------------|-------------------------|-----------|----------------------------------|--|--------------------------|-------------------------|
| 1         | 57171                            | IGNITION SWITCH & KEYS              | 1                        |                         | 48        | 57211                            | HARNESS - ENGINE WARNING                       | 1                        |                         |
| 2         | 9685                             | HORN                                | 1                        |                         | 49        | 51178                            | HARNESS - UPPER CAB                            | 1                        |                         |
| 3         | 15201                            | BACK-UP ALARM                       | 1                        |                         | 50        | 51180                            | HARNESS - STEERING COLUMN                      | 1                        |                         |
| 4         | 15774                            | PLASTIC TIE                         | 12                       |                         | 51        | 52082                            | HARNESS - DIFFERENTIAL - LOCK                  | 1                        |                         |
| 5         | 55156                            | SOLENOID - 12 VOLT                  | 2                        |                         |           |                                  | <b>SENDING UNITS</b>                           |                          |                         |
|           | 55157                            | GROUND HARNESS                      | 2                        |                         |           |                                  |  |                          |                         |
| 6         | 32316                            | CLIP - 3/8"                         | 8                        |                         | 52        | 56775                            | BRAKE SWITCH                                   | 1                        |                         |
| 7         | 32317                            | CLIP - 1/2"                         | 2                        |                         | 53        | 9670                             | SWITCH - HOUR METER                            | 1                        |                         |
| 8         | 32318                            | CLIP - 3/4"                         | 4                        |                         | 54        | 9758                             | ALARMSTAT                                      | 1                        | OPTIONAL                |
| 9         | 32319                            | CLIP - 1"                           | 3                        |                         | 55        | 11772                            | PRESSURE STAT                                  | 1                        | OPTIONAL                |
| 10        | 32320                            | CLIP - 1 1/4"                       | 1                        |                         | 56        | 11785                            | GASKET - FUEL SENDER                           | 1                        |                         |
| 11        | 48872                            | ADAPTER PLATE                       | 1                        |                         | 57        | 52881                            | FUEL LEVEL                                     | 1                        |                         |
| 12        | 115B-0402                        | REDUCER                             | 1                        |                         | 58        | 28691                            | COOLANT TEMPERATURE                            | 1                        |                         |
| 13        | 115B-0806                        | REDUCER                             | 2                        |                         | 61        | 57170                            | ENGINE OIL PRESSURE                            | 1                        |                         |
| 14        | 50A-0408                         | BOLT                                | 8                        |                         | 62        | 10076                            | TEMPERATURE SENDER - 8400 TRANSMISSION         | 1                        | OPTIONAL                |
| 15        | 14A-04                           | LOCKWASHER                          | 8                        |                         | 63        | 15801                            | OIL PRESSURE SENDER - 8400 TRANSMISSION        | 1                        | OPTIONAL                |
| 16        | 30A-04                           | NUT                                 | 8                        |                         | 64        | 130B-03                          | RING TERMINAL                                  | 3                        |                         |
| 17        | 14A-06                           | LOCKWASHER                          | 2                        |                         | 65        | 130B-04                          | RING TERMINAL                                  | 1                        |                         |
| 18        | 30A-06                           | NUT                                 | 2                        |                         | 66        | 130C-03                          | RING TERMINAL                                  | 3                        |                         |
|           |                                  | <b>WIRING HARNESS</b>               |                          |                         | 67        | 131B-04                          | SPADE TERMINAL                                 | 2                        |                         |
| 19        | 28377                            | HARNESS - FRONT HEADLIGHTS          | 1                        | OPTIONAL                | 68        | 132A-00                          | CLOSED END TERMINAL                            | 1                        |                         |
| 20        | 52845                            | HARNESS - BACK-UP LIGHTS            | 1                        |                         | 69        | 133B-00                          | BUTT CONNECTOR                                 | 1                        |                         |
| 21        | 28390                            | HARNESS - 1 WIRE ACCESSORY          | 1                        |                         | 70        | 133C-00                          | BUTT CONNECTOR                                 | 1                        |                         |
| 22        | 28391                            | HARNESS - 2 WIRE ACCESSORY          | 1                        |                         | 71        | 134B-180                         | MALE BULLET                                    | 2                        |                         |
| 23        | 28394                            | HARNESS - FRONT MOUNT WING          | 1                        | OPTIONAL                | 72        | 135B-21                          | FEMALE BULLET                                  | 2                        |                         |
| 24        | 28395                            | HARNESS - REAR MOUNT WING           | 1                        | OPTIONAL                | 73        | 115B-1206                        | REDUCER  | 1                        |                         |
| 25        | 28396                            | HARNESS - FRONT MOUNT WING          | 1                        | OPTIONAL                |           |                                  | <b>TROPICAL PROTECTONAL PACKAGE - OPTIONAL</b> |                          |                         |
| 26        | 32375                            | HARNESS - HEATER MOTOR              | 1                        |                         | 74        | 49081                            | HARNESS - INSTRUMENT PANEL                     | 1                        |                         |
| 27        | 57206                            | HARNESS - GROUND                    | 1                        |                         |           |                                  | <b>WIRING HARNESS</b>                          |                          |                         |
| 28        | 40484                            | HARNESS - ARTICULATION SWITCH       | 1                        |                         | 75        | *58610                           | HARNESS - OIL DISC BRAKES - CHASSIS            | 1                        |                         |
| 29        | 40665                            | WIRE - SOLENOID TO SOLENOID         | 1                        |                         | 76        | *54393                           | HARNESS - SUPPLEMENTAL STEERING                | 1                        |                         |
| 30        | 52705                            | HARNESS - STOP & REAR TAIL LIGHTS   | 1                        |                         |           |                                  |  |                          |                         |
| 31        | 40951                            | HARNESS - REAR CHASSIS              | 1                        |                         |           |                                  |  |                          |                         |
| 32        | 41447                            | HARNESS - AIR CONDITIONER           | 1                        |                         |           |                                  |  |                          |                         |
| 33        | 41654                            | HARNESS - OIL DISC BRAKES           | 1                        |                         |           |                                  |  |                          |                         |
| 34        | 41700                            | WIRE - JUMPER - OIL DISC BRAKES     | 1                        |                         |           |                                  |  |                          |                         |
| 35        | 43692                            | HARNESS - ENGINE                    | 1                        | 710/710A                |           |                                  |  |                          |                         |
| 36        | 43693                            | HARNESS - ENGINE                    | 1                        | 740 thru 780A           |           |                                  |  |                          |                         |
| 37        | *57604                           | HARNESS - ENGINE                    | 1                        | 720 thru 730A           |           |                                  |  |                          |                         |
| 38        | 46663                            | HARNESS - FLOAT VALVES              | 1                        | OPTIONAL                |           |                                  |  |                          |                         |
| 39        | 57203                            | HARNESS - DRUM BRAKES - CHASSIS     | 1                        |                         |           |                                  |  |                          |                         |
| 40        | 57202                            | HARNESS - BRAKES - WARNING          | 1                        |                         |           |                                  |  |                          |                         |
| 41        | 57212                            | HARNESS - BRAKES - CONSOLE          | 1                        |                         |           |                                  |  |                          |                         |
| 42        | 57215                            | HARNESS - SUPPLEMENTAL STEERING     | 1                        |                         |           |                                  |  |                          |                         |
| 43        | 57204                            | HARNESS - INSTRUMENT PANEL POWER    | 1                        |                         |           |                                  |  |                          |                         |
| 44        | 57205                            | HARNESS - INSTRUMENT PANEL          | 1                        |                         |           |                                  |  |                          |                         |
| 45        | 57214                            | HARNESS - MAIN CHASSIS              | 1                        |                         |           |                                  |  |                          |                         |
| 46        | 49634                            | HARNESS - TIRE PUMP                 | 1                        |                         |           |                                  |  |                          |                         |



CHAMPION ROAD MACHINERY



APRIL 1991

WIRING HARNESS, SENDING UNITS & HORN - 12 VOLT

PARA LA LISTA DE LAS PIEZAS - VFR AL VERSO

POUR LA LISTE DES PIÈCES - VOIR AU VERSO

FOR LIST OF PARTS - TURN THIS PAGE

8

ISSUE No.  
N° D'ÉMISSION  
N° DE EDICION

EFFECTIVE SERIAL NUMBER(S)  
NUMERO(S) DE SÉRIE EFFECTIF(S)  
NUMERO(S) DE SERIE EFECTIVO(S)

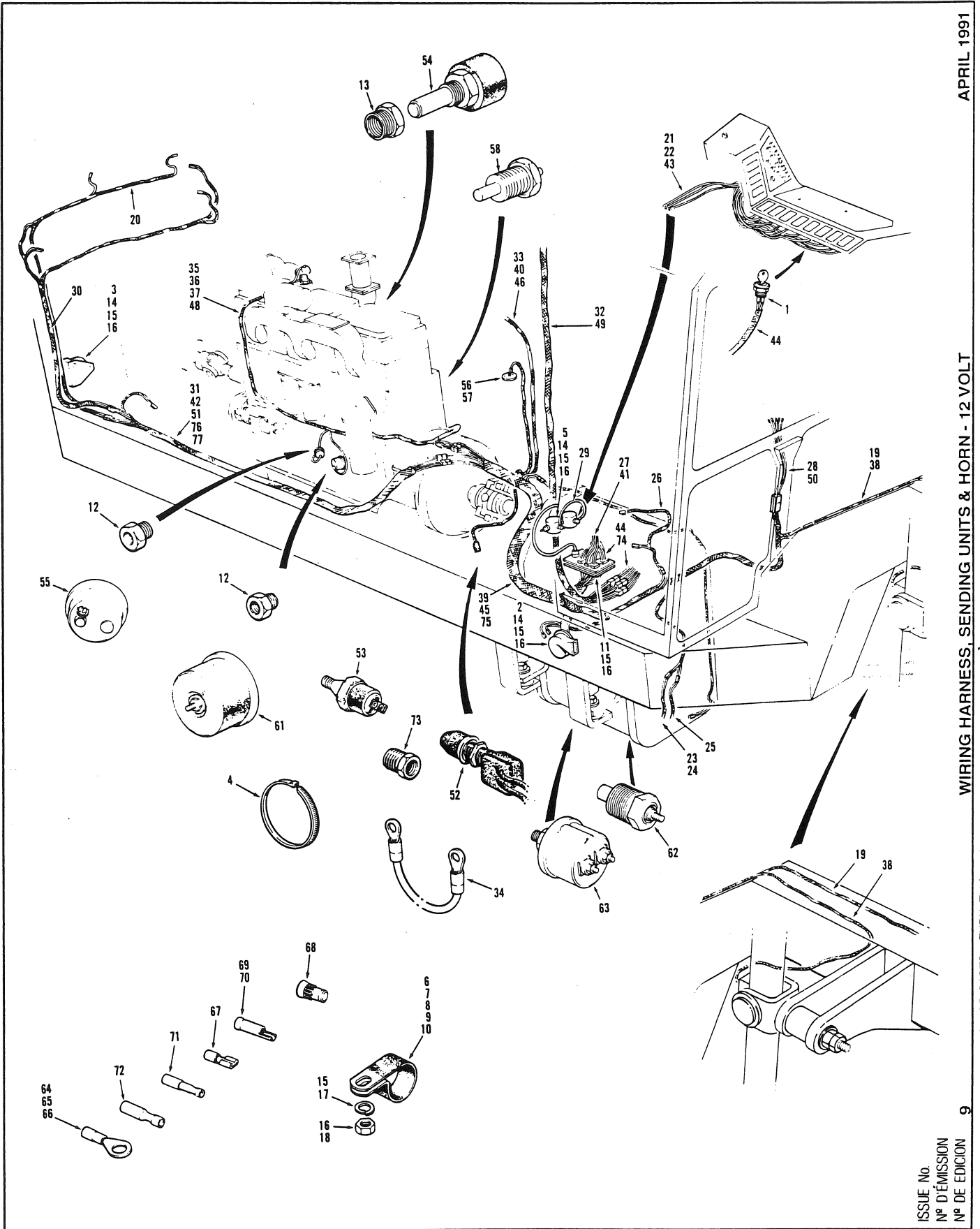
21450 to 21484, 21487, 21488,  
21490 to 21492 & 21494

**700 SERIES**  
**SERIE 700**

**SECTION 10** **PAGE 5**  
**SECCION 10** **PAGINA 5**

| SECTION<br>SECCION |  | PAGE<br>PAGINA                            |                                | ISSUE No.<br>N° D'ÉMISSION<br>N° DE EDICION |                 | WIRING HARNESS, SENDING UNITS & HORN - 12 VOLT |   |                                |                               | APRIL 1991 |  |
|--------------------|--|---|--------------------------------|---|-----------------|--|---|--------------------------------|-------------------------------|------------|--|
| 10                 |  | 6   |                                | 8   |                 |  |   |                                |                               |            |  |
| No.<br>N°<br>N°    | PART No.<br>N° DE PIÈCE<br>N° DE PIEZA | DESCRIPTION<br>DESCRIPTION<br>DESCRIPCION | No. REQ.<br>N° REQ.<br>N° REQ. | REMARKS<br>REMARQUES<br>NOTAS               | No.<br>N°<br>N° | PART No.<br>N° DE PIECE<br>N° DE PIEZA         | DESCRIPTION<br>DESCRIPTION<br>DESCRIPCION     | No. REQ.<br>N° REQ.<br>N° REQ. | REMARKS<br>REMARQUES<br>NOTAS |            |  |
| 1                  | 57171                                  | IGNITION SWITCH & KEYS                    | 1                              |   | 48              | 57211  | HARNESS - ENGINE WARNING                      | 1                              |                               |            |  |
| 2                  | 9685                                   | HORN                                      | 1                              |   | 49              | 51178  | HARNESS - UPPER CAB                           | 1                              |                               |            |  |
| 3                  | 15201                                  | BACK-UP ALARM                             | 1                              |   | 50              | 51180  | HARNESS - STEERING COLUMN                     | 1                              |                               |            |  |
| 4                  | 15774                                  | PLASTIC TIE                               | 12                             |   | 51              | *58742   | HARNESS - DIFFERENTIAL - LOCK                 | 1                              | 710 thru 730A                 |            |  |
| 5                  | 55156                                  | SOLENOID - 12 VOLT                        | 2                              |   |                 | *58743   | HARNESS - DIFFERENTIAL - LOCK                 | 1                              | 740 thru 780A                 |            |  |
|                    | 55157                                  | GROUND HARNESS                            | 2                              |   |                 |  |   |                                |                               |            |  |
| 6                  | 32316                                  | CLIP - 3/8"                               | 8                              |   |                 |  | <b>SENDING UNITS</b>                          |                                |                               |            |  |
| 7                  | 32317                                  | CLIP - 1/2"                               | 2                              |   | 52              | 56775  | BRAKE SWITCH                                  | 1                              |                               |            |  |
| 8                  | 32318                                  | CLIP - 3/4"                               | 4                              |   | 53              | 9670   | SWITCH - HOUR METER                           | 1                              |                               |            |  |
| 9                  | 32319                                  | CLIP - 1"                                 | 3                              |   | 54              | 9758   | ALARMSTAT                                     | 1                              | OPTIONAL                      |            |  |
| 10                 | 32320                                  | CLIP - 1 1/4"                             | 1                              |   | 55              | 11772  | PRESSURE STAT                                 | 1                              | OPTIONAL                      |            |  |
| 11                 | 48872                                  | ADAPTER PLATE                             | 1                              |   | 56              | 11785  | GASKET - FUEL SENDER                          | 1                              |                               |            |  |
| 12                 | 115B-0402                              | REDUCER                                   | 1                              |   | 57              | 52881  | FUEL LEVEL                                    | 1                              |                               |            |  |
| 13                 | 115B-0806                              | REDUCER                                   | 2                              |   | 58              | 28691  | COOLANT TEMPERATURE                           | 1                              |                               |            |  |
| 14                 | 50A-0408                               | BOLT                                      | 8                              |   | 61              | 57170  | ENGINE OIL PRESSURE                           | 1                              |                               |            |  |
| 15                 | 14A-04                                 | LOCKWASHER                                | 8                              |   | 62              | *57345   | TEMPERATURE SENDER - 8400 TRANSMISSION        | 1                              | OPTIONAL                      |            |  |
| 16                 | 30A-04                                 | NUT                                       | 8                              |   | 63              | 15801  | OIL PRESSURE SENDER - 8400 TRANSMISSION       | 1                              | OPTIONAL                      |            |  |
| 17                 | 14A-06                                 | LOCKWASHER                                | 2                              |   | 64              | 130B-03  | RING TERMINAL                                 | 3                              |                               |            |  |
| 18                 | 30A-06                                 | NUT                                       | 2                              |   | 65              | 130B-04  | RING TERMINAL                                 | 1                              |                               |            |  |
|                    |  | <b>WIRING HARNESS</b>                     |                                |   | 66              | 130C-03  | RING TERMINAL                                 | 3                              |                               |            |  |
| 19                 | 28377                                  | HARNESS - FRONT HEADLIGHTS                | 1                              | OPTIONAL                                    | 67              | 131B-04  | SPADE TERMINAL                                | 2                              |                               |            |  |
| 20                 | 52845                                  | HARNESS - BACK-UP LIGHTS                  | 1                              |   | 68              | 132A-00  | CLOSED END TERMINAL                           | 1                              |                               |            |  |
| 21                 | 28390                                  | HARNESS - 1 WIRE ACCESSORY                | 1                              |   | 69              | 133B-00  | BUTT CONNECTOR                                | 1                              |                               |            |  |
| 22                 | 28391                                  | HARNESS - 2 WIRE ACCESSORY                | 1                              |   | 70              | 133C-00  | BUTT CONNECTOR                                | 1                              |                               |            |  |
| 23                 | 28394                                  | HARNESS - FRONT MOUNT WING                | 1                              | OPTIONAL                                    | 71              | 134B-180                                       | MALE BULLET                                   | 2                              |                               |            |  |
| 24                 | 28395                                  | HARNESS - REAR MOUNT WING                 | 1                              | OPTIONAL                                    | 72              | 135B-21  | FEMALE BULLET                                 | 2                              |                               |            |  |
| 25                 | 28396                                  | HARNESS - FRONT MOUNT WING                | 1                              | OPTIONAL                                    | 73              | 115B-1206                                      | REDUCER                                       | 1                              |                               |            |  |
| 26                 | 32375                                  | HARNESS - HEATER MOTOR                    | 1                              |   |                 |  | <b>TROPICAL PROTECTION PACKAGE - OPTIONAL</b> |                                |                               |            |  |
| 27                 | 57206                                  | HARNESS - GROUND                          | 1                              |   | 74              | 49081  | HARNESS - INSTRUMENT PANEL                    | 1                              |                               |            |  |
| 28                 | 40484                                  | HARNESS - ARTICULATION SWITCH             | 1                              |   |                 |  |   |                                |                               |            |  |
| 29                 | 40665                                  | WIRE - SOLENOID TO SOLENOID               | 1                              |   |                 |  | <b>WIRING HARNESS</b>                         |                                |                               |            |  |
| 30                 | 52705                                  | HARNESS - STOP & REAR TAIL LIGHTS         | 1                              |   | 75              | 58610  | HARNESS - OIL DISC BRAKES - CHASSIS           | 1                              |                               |            |  |
| 31                 | 40951                                  | HARNESS - REAR CHASSIS                    | 1                              |   | 76              | 54393  | HARNESS - SUPPLEMENTAL STEERING - BOX         | 1                              |                               |            |  |
| 32                 | 41447                                  | HARNESS - AIR CONDITIONER                 | 1                              |   | 77              | *54394   | HARNESS - SUPPLEMENTAL STEERING - MAIN        | 1                              |                               |            |  |
| 33                 | 41654                                  | HARNESS - OIL DISC BRAKES                 | 1                              |   |                 |  |   |                                |                               |            |  |
| 34                 | 41700                                  | WIRE - JUMPER - OIL DISC BRAKES           | 1                              |   |                 |  |   |                                |                               |            |  |
| 35                 | 43692                                  | HARNESS - ENGINE                          | 1                              | 710/710A                                    |                 |  |   |                                |                               |            |  |
| 36                 | 43693                                  | HARNESS - ENGINE                          | 1                              | 740 thru 780A                               |                 |  |   |                                |                               |            |  |
| 37                 | 57604                                  | HARNESS - ENGINE                          | 1                              | 720 thru 730A                               |                 |  |   |                                |                               |            |  |
| 38                 | 46663                                  | HARNESS - FLOAT VALVES                    | 1                              | OPTIONAL                                    |                 |  |   |                                |                               |            |  |
| 39                 | 57203                                  | HARNESS - DRUM BRAKES - CHASSIS           | 1                              |   |                 |  |   |                                |                               |            |  |
| 40                 | 57202                                  | HARNESS - BRAKES - WARNING                | 1                              |   |                 |  |   |                                |                               |            |  |
| 41                 | 57212                                  | HARNESS - BRAKES - CONSOLE                | 1                              |   |                 |  |   |                                |                               |            |  |
| 42                 | 57215                                  | HARNESS - SUPPLEMENTAL STEERING           | 1                              |   |                 |  |   |                                |                               |            |  |
| 43                 | 57204                                  | HARNESS - INSTRUMENT PANEL POWER          | 1                              |   |                 |  |   |                                |                               |            |  |
| 44                 | 57205                                  | HARNESS - INSTRUMENT PANEL                | 1                              |   |                 |  |   |                                |                               |            |  |
| 45                 | 57214                                  | HARNESS - MAIN CHASSIS                    | 1                              |   |                 |  |   |                                |                               |            |  |
| 46                 | 49634                                  | HARNESS - TIRE PUMP                       | 1                              |   |                 |  |   |                                |                               |            |  |

CHAMPION ROAD MACHINERY



APRIL 1991

WIRING HARNESS, SENDING UNITS & HORN - 12 VOLT

PARA LA LISTA DE LAS PIEZAS - VER EN VERSO

POUR LA LISTE DES PIÈCES - VOIR AU VERSO

FOR LIST OF PARTS - TURN THIS PAGE

9

ISSUE No.  
N° D'ÉMISSION  
N° DE EDICION

EFFECTIVE SERIAL NUMBER(S) 21485, 21486, 21489,  
 NUMERO(S) DE SÉRIE EFFECTIF(S) 21493, 21495 & UP  
 NUMERO(S) DE SÉRIE EFECTIVO(S)

**700 SERIES**  
**SERIE 700**

**SECTION 10** **PAGE 5**  
**SECCION 10** **PAGINA 5**

| SECTION<br>SECCION | 10                                     | PAGE<br>PAGINA                            | 6                              | ISSUE No.<br>N° D'ÉMISSION<br>N° DE EDICION | 9               | WIRING HARNESS, SENDING UNITS & HORN - 12 VOLT |   |                                |                               | APRIL 1991 |
|--------------------|--|---|--------------------------------|---|-----------------|--|---|--------------------------------|-------------------------------|------------|
| No.<br>N°<br>N°    | PART No.<br>N° DE PIÈCE<br>N° DE PIEZA | DESCRIPTION<br>DÉSCRIPTION<br>DESCRIPCION | No. REQ.<br>N° REQ.<br>N° REQ. | REMARKS<br>REMARQUES<br>NOTAS               | No.<br>N°<br>N° | PART No.<br>N° DE PIÈCE<br>N° DE PIEZA         | DESCRIPTION<br>DÉSCRIPTION<br>DESCRIPCION       | No. REQ.<br>N° REQ.<br>N° REQ. | REMARKS<br>REMARQUES<br>NOTAS |            |
| 1                  | 57171                                  | IGNITION SWITCH & KEYS                    | 1                              |   | 48              | 57211  | HARNESS - ENGINE WARNING                        | 1                              |                               |            |
| 2                  | 9685                                   | HORN                                      | 1                              |   | 49              | 51178  | HARNESS - UPPER CAB                             | 1                              |                               |            |
| 3                  | 15201                                  | BACK-UP ALARM                             | 1                              |   | 50              | *57734   | HARNESS - STEERING COLUMN                       | 1                              |                               |            |
| 4                  | 15774                                  | PLASTIC TIE                               | 12                             |   | 51              | 58742  | HARNESS - DIFFERENTIAL - LOCK                   | 1                              | 710 thru 730A                 |            |
| 5                  | 55156                                  | SOLENOID - 12 VOLT                        | 2                              |   |                 | 58743  | HARNESS - DIFFERENTIAL - LOCK                   | 1                              | 740 thru 780A                 |            |
|                    | 55157                                  | GROUND HARNESS                            | 2                              |   |                 |  |   |                                |                               |            |
| 6                  | 32316                                  | CLIP - 3/8"                               | 8                              |   |                 |  | <b>SENDING UNITS</b>                            |                                |                               |            |
| 7                  | 32317                                  | CLIP - 1/2"                               | 2                              |   | 52              | 56775  | BRAKE SWITCH                                    | 1                              |                               |            |
| 8                  | 32318                                  | CLIP - 3/4"                               | 4                              |   | 53              | 9670   | SWITCH - HOUR METER                             | 1                              |                               |            |
| 9                  | 32319                                  | CLIP - 1"                                 | 3                              |   | 54              | 9758   | ALARMSTAT                                       | 1                              | OPTIONAL                      |            |
| 10                 | 32320                                  | CLIP - 1 1/4"                             | 1                              |   | 55              | 11772  | PRESSURE STAT                                   | 1                              | OPTIONAL                      |            |
| 11                 | 48872                                  | ADAPTER PLATE                             | 1                              |   | 56              | 11785  | GASKET - FUEL SENDER                            | 1                              |                               |            |
| 12                 | 115B-0402                              | REDUCER                                   | 1                              |   | 57              | 52881  | FUEL LEVEL                                      | 1                              |                               |            |
| 13                 | 115B-0806                              | REDUCER                                   | 2                              |   | 58              | 28691  | COOLANT TEMPERATURE                             | 1                              |                               |            |
| 14                 | 50A-0408                               | BOLT                                      | 8                              |   | 61              | 57170  | ENGINE OIL PRESSURE                             | 1                              |                               |            |
| 15                 | 14A-04                                 | LOCKWASHER                                | 8                              |   | 62              | 57345  | TEMPERATURE SENDER - 8400 TRANSMISSION          | 1                              | OPTIONAL                      |            |
| 16                 | 30A-04                                 | NUT                                       | 8                              |   | 63              | 15801  | OIL PRESSURE SENDER - 8400 TRANSMISSION         | 1                              | OPTIONAL                      |            |
| 17                 | 14A-06                                 | LOCKWASHER                                | 2                              |   | 64              | 130B-03  | RING TERMINAL                                   | 3                              |                               |            |
| 18                 | 30A-06                                 | NUT                                       | 2                              |   | 65              | 130B-04  | RING TERMINAL                                   | 1                              |                               |            |
|                    |  | <b>WIRING HARNESS</b>                     |                                |   | 66              | 130C-03  | RING TERMINAL                                   | 3                              |                               |            |
| 19                 | 28377                                  | HARNESS - FRONT HEADLIGHTS                | 1                              | OPTIONAL                                    | 67              | 131B-04  | SPADE TERMINAL                                  | 2                              |                               |            |
| 20                 | 52845                                  | HARNESS - BACK-UP LIGHTS                  | 1                              |   | 68              | 132A-00  | CLOSED END TERMINAL                             | 1                              |                               |            |
| 21                 | 28390                                  | HARNESS - 1 WIRE ACCESSORY                | 1                              |   | 69              | 133B-00  | BUTT CONNECTOR                                  | 1                              |                               |            |
| 22                 | 28391                                  | HARNESS - 2 WIRE ACCESSORY                | 1                              |   | 70              | 133C-00  | BUTT CONNECTOR                                  | 1                              |                               |            |
| 23                 | 28394                                  | HARNESS - FRONT MOUNT WING                | 1                              | OPTIONAL                                    | 71              | 134B-180                                       | MALE BULLET                                     | 2                              |                               |            |
| 24                 | 28395                                  | HARNESS - REAR MOUNT WING                 | 1                              | OPTIONAL                                    | 72              | 135B-21  | FEMALE BULLET                                   | 2                              |                               |            |
| 25                 | 28396                                  | HARNESS - FRONT MOUNT WING                | 1                              | OPTIONAL                                    | 73              | 115B-1206                                      | REDUCER   | 1                              |                               |            |
| 26                 | 32375                                  | HARNESS - HEATER MOTOR                    | 1                              |   |                 |  | <b>TROPICAL PROTECTIONAL PACKAGE - OPTIONAL</b> |                                |                               |            |
| 27                 | 57206                                  | HARNESS - GROUND                          | 1                              |   | 74              | 49081  | HARNESS - INSTRUMENT PANEL                      | 1                              |                               |            |
| 28                 | 40484                                  | HARNESS - ARTICULATION SWITCH             | 1                              |   |                 |  | <b>WIRING HARNESS</b>                           |                                |                               |            |
| 29                 | 40665                                  | WIRE - SOLENOID TO SOLENOID               | 1                              |   | 75              | 58610  | HARNESS - OIL DISC BRAKES - CHASSIS             | 1                              |                               |            |
| 30                 | 52705                                  | HARNESS - STOP & REAR TAIL LIGHTS         | 1                              |   | 76              | 54393  | HARNESS - SUPPLEMENTAL STEERING - BOX           | 1                              |                               |            |
| 31                 | 40951                                  | HARNESS - REAR CHASSIS                    | 1                              |   | 77              | 54394  | HARNESS - SUPPLEMENTAL STEERING - MAIN          | 1                              |                               |            |
| 32                 | 41447                                  | HARNESS - AIR CONDITIONER                 | 1                              |   |                 |  |   |                                |                               |            |
| 33                 | 41654                                  | HARNESS - OIL DISC BRAKES                 | 1                              |   |                 |  |   |                                |                               |            |
| 34                 | 41700                                  | WIRE - JUMPER - OIL DISC BRAKES           | 1                              |   |                 |  |   |                                |                               |            |
| 35                 | 43692                                  | HARNESS - ENGINE                          | 1                              | 710/710A                                    |                 |  |   |                                |                               |            |
| 36                 | 43693                                  | HARNESS - ENGINE                          | 1                              | 740 thru 780A                               |                 |  |   |                                |                               |            |
| 37                 | 57604                                  | HARNESS - ENGINE                          | 1                              | 720 thru 730A                               |                 |  |   |                                |                               |            |
| 38                 | *57736                                 | HARNESS - FLOAT VALVES                    | 1                              | OPTIONAL                                    |                 |  |   |                                |                               |            |
| 39                 | 57203                                  | HARNESS - DRUM BRAKES - CHASSIS           | 1                              |   |                 |  |   |                                |                               |            |
| 40                 | 57202                                  | HARNESS - BRAKES - WARNING                | 1                              |   |                 |  |   |                                |                               |            |
| 41                 | 57212                                  | HARNESS - BRAKES - CONSOLE                | 1                              |   |                 |  |   |                                |                               |            |
| 42                 | 57215                                  | HARNESS - SUPPLEMENTAL STEERING           | 1                              |   |                 |  |   |                                |                               |            |
| 43                 | 57204                                  | HARNESS - INSTRUMENT PANEL POWER          | 1                              |   |                 |  |   |                                |                               |            |
| 44                 | 57205                                  | HARNESS - INSTRUMENT PANEL                | 1                              |   |                 |  |   |                                |                               |            |
| 45                 | *57735                                 | HARNESS - MAIN CHASSIS                    | 1                              |   |                 |  |   |                                |                               |            |
| 46                 | 49634                                  | HARNESS - TIRE PUMP                       | 1                              |   |                 |  |   |                                |                               |            |

CHAMPION ROAD MACHINERY

WIRING HARNESS, SENDING UNITS & HORN - 12 VOLT

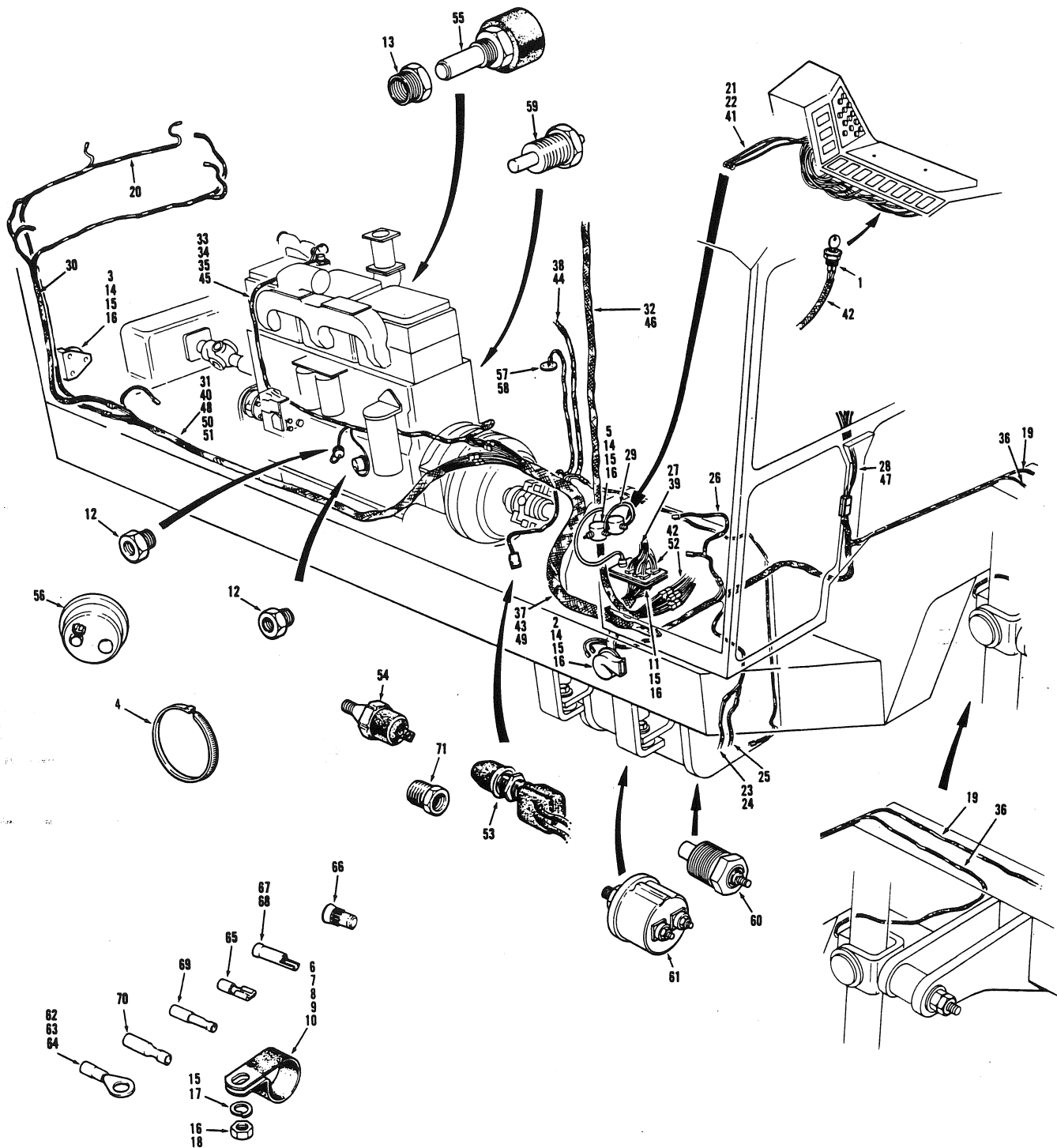
PARA LA LISTA DE LAS PIEZAS - VER EN VERSO

POUR LA LISTE DES PIÈCES - VOIR AU VERSO

FOR LIST OF PARTS - TURN THIS PAGE

10

ISSUE No.  
N° D'ÉMISSION  
N° DE EDICION



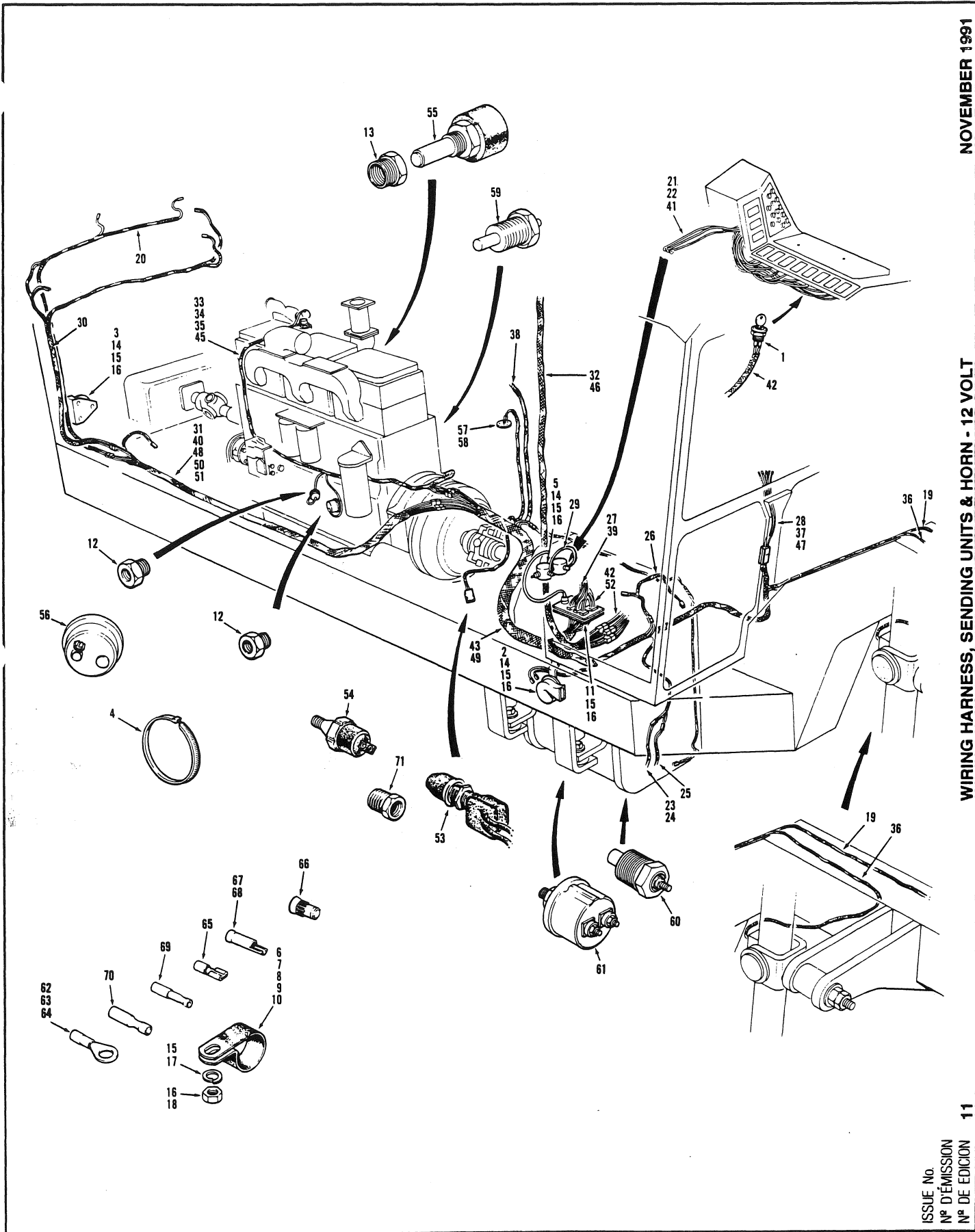
EFFECTIVE SERIAL NUMBER(S)  
NUMERO(S) DE SÉRIE EFFECTIF(S)  
NUMERO(S) DE SERIE EFECTIVO(S)

21567 & UP

700 SERIES  
SERIE 700

SECTION 10 PAGE 5  
SECCION 10 PAGINA 5

| SECTION<br>SECCION |  | 10  | PAGE<br>PAGINA                 | 6                             | ISSUE No.<br>N° D'ÉMISSION<br>N° DE EDICION | 10                                     | WIRING HARNESS, SENDING UNITS & HORN - 12 VOLT                                |                                |                               |  | MAY 1991 |
|--------------------|--|---|--------------------------------|-------------------------------|---|--|---|--------------------------------|-------------------------------|--|----------|
| No.<br>N°<br>N°    | PART No.<br>N° DE PIÉCE<br>N° DE PIEZA | DESCRIPTION<br>DÉSCRIPTION<br>DESCRIPCION | No. REQ.<br>N° REQ.<br>N° REQ. | REMARKS<br>REMARQUES<br>NOTAS | No.<br>N°<br>N°                             | PART No.<br>N° DE PIÉCE<br>N° DE PIEZA | DESCRIPTION<br>DÉSCRIPTION<br>DESCRIPCION                                     | No. REQ.<br>N° REQ.<br>N° REQ. | REMARKS<br>REMARQUES<br>NOTAS |  |          |
| 1                  | 57171                                  | IGNITION SWITCH & KEYS                    | 1                              |                               | 45  | 57211                                  | HARNESS - ENGINE WARNING  | 1                              |                               |  |          |
| 2                  | 9685                                   | HORN                                      | 1                              |                               | 46  | 51178                                  | HARNESS - UPPER CAB   | 1                              |                               |  |          |
| 3                  | 15201                                  | BACK-UP ALARM                             | 1                              |                               | 47  | 57734                                  | HARNESS - STEERING COLUMN   | 1                              |                               |  |          |
| 4                  | 15774                                  | PLASTIC TIE                               | 12                             |                               | 48  | 58742                                  | HARNESS - DIFFERENTIAL - LOCK   | 1                              | 710 thru 730A                 |  |          |
| 5                  | 55156                                  | SOLENOID - 12 VOLT                        | 2                              |                               |   | 58743                                  | HARNESS - DIFFERENTIAL - LOCK   | 1                              | 740 thru 780A                 |  |          |
|                    | 55157                                  | GROUND HARNESS                            | 2                              |                               | 49  | 58610                                  | HARNESS - OIL DISC BRAKES - CHASSIS   | 1                              |                               |  |          |
| 6                  | 32316                                  | CLIP - 3/8"                               | 8                              |                               | 50  | 54393                                  | HARNESS - SUPPLEMENTAL STEERING - BOX   | 1                              |                               |  |          |
| 7                  | 32317                                  | CLIP - 1/2"                               | 2                              |                               | 51  | 54394                                  | HARNESS - SUPPLEMENTAL STEERING - MAIN  | 1                              |                               |  |          |
| 8                  | 32318                                  | CLIP - 3/4"                               | 4                              |                               |   |  |   |                                |                               |  |          |
| 9                  | 32319                                  | CLIP - 1"                                 | 3                              |                               |   |  |   |                                |                               |  |          |
| 10                 | 32320                                  | CLIP - 1 1/4"                             | 1                              |                               |   |  |   |                                |                               |  |          |
| 11                 | 48872                                  | ADAPTER PLATE                             | 1                              |                               | 52  | 49081                                  | <b>TROPICAL PROTECTIONAL PACKAGE - OPTIONAL</b><br>HARNESS - INSTRUMENT PANEL | 1                              |                               |  |          |
| 12                 | 115B-0402                              | REDUCER                                   | 1                              |                               |   |  |   |                                |                               |  |          |
| 13                 | 115B-0806                              | REDUCER                                   | 2                              |                               |   |  |   |                                |                               |  |          |
| 14                 | 50A-0408                               | BOLT                                      | 8                              |                               |   |  |   |                                |                               |  |          |
| 15                 | 14A-04                                 | LOCKWASHER                                | 8                              |                               | 53  | 56775                                  | <b>SENDING UNITS</b><br>BRAKE SWITCH  | 1                              |                               |  |          |
| 16                 | 30A-04                                 | NUT                                       | 8                              |                               | 54  | 9670                                   | SWITCH - HOUR METER   | 1                              |                               |  |          |
| 17                 | 14A-06                                 | LOCKWASHER                                | 2                              |                               | 55  | 9758                                   | ALARMSTAT   | 1                              | OPTIONAL                      |  |          |
| 18                 | 30A-06                                 | NUT                                       | 2                              |                               | 56  | 11772                                  | PRESSURE STAT   | 1                              | OPTIONAL                      |  |          |
|                    |  | <b>WIRING HARNESS</b>                     |                                |                               | 57  | 11785                                  | GASKET - FUEL SENDER  | 1                              |                               |  |          |
| 19                 | 28377                                  | HARNESS - FRONT HEADLIGHTS                | 1                              | OPTIONAL                      | 58  | 52881                                  | FUEL LEVEL  | 1                              |                               |  |          |
| 20                 | 52845                                  | HARNESS - BACK-UP LIGHTS                  | 1                              |                               | 59  | 28691                                  | COOLANT TEMPERATURE   | 1                              |                               |  |          |
| 21                 | 28390                                  | HARNESS - 1 WIRE ACCESSORY                | 1                              |                               | 60  | 57345                                  | TEMPERATURE SENDER - 8400 TRANSMISSION  | 1                              | OPTIONAL                      |  |          |
| 22                 | 28391                                  | HARNESS - 2 WIRE ACCESSORY                | 1                              |                               | 61  | 15801                                  | OIL PRESSURE SENDER - 8400 TRANSMISSION                                       | 1                              | OPTIONAL                      |  |          |
| 23                 | 28394                                  | HARNESS - FRONT MOUNT WING                | 1                              | OPTIONAL                      | 62  | 130B-03                                | RING TERMINAL   | 3                              |                               |  |          |
| 24                 | 28395                                  | HARNESS - REAR MOUNT WING                 | 1                              | OPTIONAL                      | 63  | 130B-04                                | RING TERMINAL   | 1                              |                               |  |          |
| 25                 | 28396                                  | HARNESS - FRONT MOUNT WING                | 1                              | OPTIONAL                      | 64  | 130C-03                                | RING TERMINAL   | 3                              |                               |  |          |
| 26                 | 32375                                  | HARNESS - HEATER MOTOR                    | 1                              |                               | 65  | 131B-04                                | SPADE TERMINAL  | 2                              |                               |  |          |
| 27                 | 57206                                  | HARNESS - GROUND                          | 1                              |                               | 66  | 132A-00                                | CLOSED END TERMINAL   | 1                              |                               |  |          |
| 28                 | 40484                                  | HARNESS - ARTICULATION SWITCH             | 1                              |                               | 67  | 133B-00                                | BUTT CONNECTOR  | 1                              |                               |  |          |
| 29                 | 40665                                  | WIRE - SOLENOID TO SOLENOID               | 1                              |                               | 68  | 133C-00                                | BUTT CONNECTOR  | 1                              |                               |  |          |
| 30                 | 52705                                  | HARNESS - STOP & REAR TAIL LIGHTS         | 1                              |                               | 69  | 134B-180                               | MALE BULLET   | 2                              |                               |  |          |
| 31                 | 40951                                  | HARNESS - REAR CHASSIS                    | 1                              |                               | 70  | 135B-21                                | FEMALE BULLET   | 2                              |                               |  |          |
| 32                 | 41447                                  | HARNESS - AIR CONDITIONER                 | 1                              |                               | 71  | 115B-1206                              | REDUCER   | 1                              |                               |  |          |
| 33                 | 43692                                  | HARNESS - ENGINE                          | 1                              | 710/710A                      |   |  |   |                                |                               |  |          |
| 34                 | 43693                                  | HARNESS - ENGINE                          | 1                              | 740 thru 780A                 |   |  |   |                                |                               |  |          |
| 35                 | 57604                                  | HARNESS - ENGINE                          | 1                              | 720 thru 730A                 |   |  |   |                                |                               |  |          |
| 36                 | 57736                                  | HARNESS - FLOAT VALVES                    | 1                              | OPTIONAL                      |   |  |   |                                |                               |  |          |
| 37                 | 57203                                  | HARNESS - DRUM BRAKES - CHASSIS           | 1                              |                               |   |  |   |                                |                               |  |          |
| 38                 | 57202                                  | HARNESS - BRAKES - WARNING                | 1                              |                               |   |  |   |                                |                               |  |          |
| 39                 | 57212                                  | HARNESS - BRAKES - CONSOLE                | 1                              |                               |   |  |   |                                |                               |  |          |
| 40                 | 57215                                  | HARNESS - SUPPLEMENTAL STEERING           | 1                              |                               |   |  |   |                                |                               |  |          |
| 41                 | *39419                                 | HARNESS - INSTRUMENT PANEL POWER          | 1                              |                               |   |  |   |                                |                               |  |          |
| 42                 | 57205                                  | HARNESS - INSTRUMENT PANEL                | 1                              |                               |   |  |   |                                |                               |  |          |
| 43                 | 57735                                  | HARNESS - MAIN CHASSIS                    | 1                              |                               |   |  |   |                                |                               |  |          |
| 44                 | 49634                                  | HARNESS - TIRE PUMP                       | 1                              |                               |   |  |   |                                |                               |  |          |



ISSUE No.  
N° D'ÉMISSION  
N° DE EDICIÓN

EFFECTIVE SERIAL NUMBER(S)  
NUMERO(S) DE SÉRIE EFFECTIF(S)  
NUMERO(S) DE SERIE EFECTIVO(S)

21911 & UP

**700 SERIES**  
**SERIE 700**

**SECTION**  
**SECCION 10** **PAGE**  
**PAGINA 5**

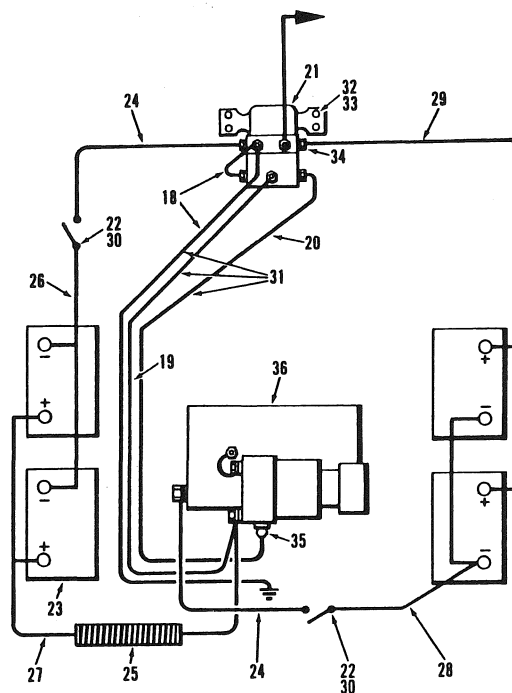
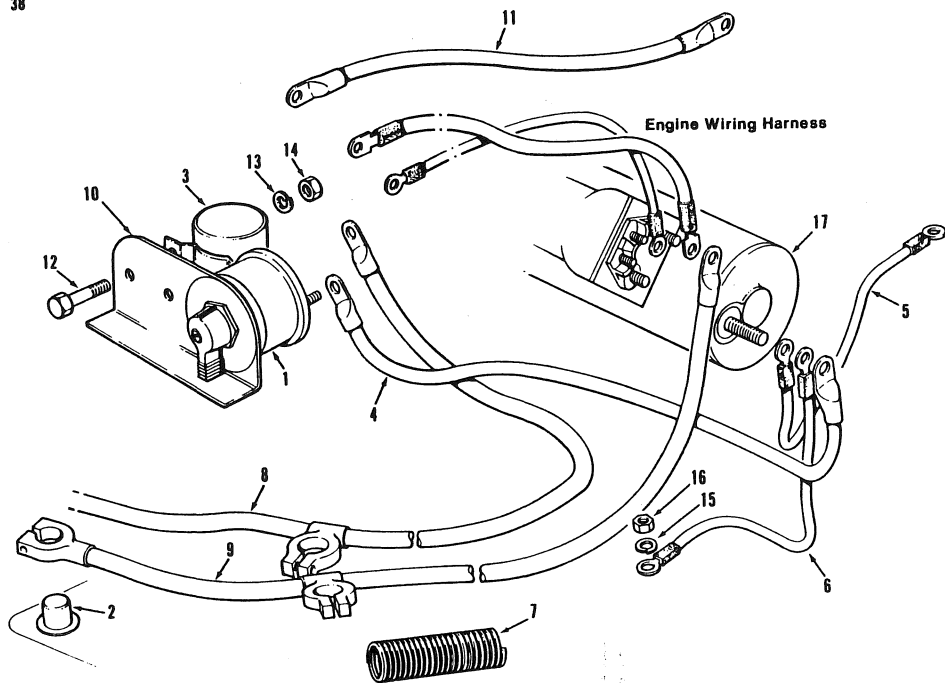
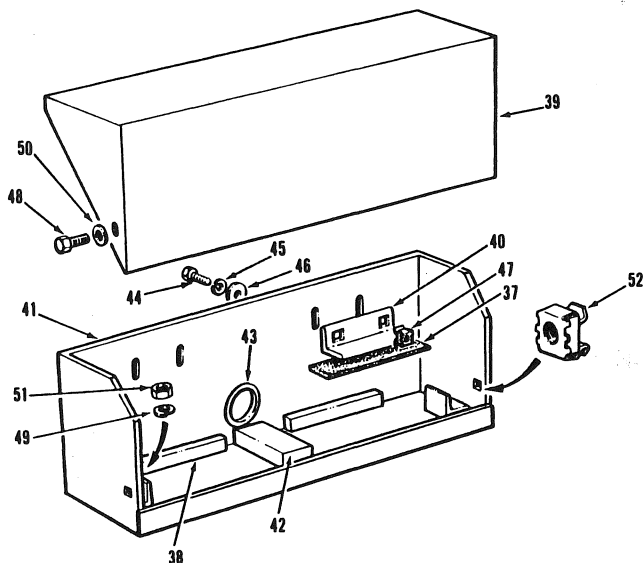
| SECTION<br>SECCION |  | PAGE<br>PAGINA                            |                                | ISSUE No.<br>N° D'ÉMISSION<br>N° DE EDICION |                 | WIRING HARNESS, SENDING UNITS & HORN - 12 VOLT |   |                                |                               | NOVEMBER 1991 |  |
|--------------------|--|---|--------------------------------|---|-----------------|--|---|--------------------------------|-------------------------------|---------------|--|
| No.<br>N°<br>N°    | PART No.<br>N° DE PIÈCE<br>N° DE PIEZA | DESCRIPTION<br>DESCRIPTION<br>DESCRIPCION | No. REQ.<br>N° REQ.<br>N° REQ. | REMARKS<br>REMARQUES<br>NOTAS               | No.<br>N°<br>N° | PART No.<br>N° DE PIÈCE<br>N° DE PIEZA         | DESCRIPTION<br>DESCRIPTION<br>DESCRIPCION | No. REQ.<br>N° REQ.<br>N° REQ. | REMARKS<br>REMARQUES<br>NOTAS |               |  |
| 1                  | 57171                                  | IGNITION SWITCH & KEYS                    | 1                              |   | 45              | 57211  | HARNESS - ENGINE WARNING                  | 1                              |                               |               |  |
| 2                  | 9885                                   | HORN                                      | 1                              |   | 46              | 51178  | HARNESS - UPPER CAB                       | 1                              |                               |               |  |
| 3                  | 15201                                  | BACK-UP ALARM                             | 1                              |   | 47              | 57734  | HARNESS - STEERING COLUMN                 | 1                              |                               |               |  |
| 4                  | 15774                                  | PLASTIC TIE                               | 12                             |   | 48              | 58742  | HARNESS - DIFFERENTIAL - LOCK             | 1                              | 710 thru 740A                 |               |  |
| 5                  | 55158                                  | SOLENOID - 12 VOLT                        | 2                              |   |                 | 58743  | HARNESS - DIFFERENTIAL - LOCK             | 1                              | 750A & 780A                   |               |  |
|                    | 55157                                  | GROUND HARNESS                            | 2                              |   | 49              | 58810  | HARNESS - OIL DISC BRAKES - CHASSIS       | 1                              |                               |               |  |
| 6                  | 32316                                  | CLIP - 3/8"                               | 8                              |   | 50              | 54393  | HARNESS - SUPPLEMENTAL STEERING - BOX     | 1                              |                               |               |  |
| 7                  | 32317                                  | CLIP - 1/2"                               | 2                              |   | 51              | 54394  | HARNESS - SUPPLEMENTAL STEERING - MAIN    | 1                              |                               |               |  |
| 8                  | 32318                                  | CLIP - 3/4"                               | 4                              |   |                 |  |   |                                |                               |               |  |
| 9                  | 32319                                  | CLIP - 1"                                 | 3                              |   |                 |  |   |                                |                               |               |  |
| 10                 | 32320                                  | CLIP - 1 1/4"                             | 1                              |   |                 |  |   |                                |                               |               |  |
| 11                 | 48872                                  | ADAPTER PLATE                             | 1                              |   | 52              | 49081  | HARNESS - INSTRUMENT PANEL                | 1                              |                               |               |  |
| 12                 | 115B-0402                              | REDUCER                                   | 1                              |   |                 |  |   |                                |                               |               |  |
| 13                 | 115B-0808                              | REDUCER                                   | 2                              |   |                 |  |   |                                |                               |               |  |
| 14                 | 50A-0408                               | BOLT                                      | 8                              |   |                 |  |   |                                |                               |               |  |
| 15                 | 14A-04                                 | LOCKWASHER                                | 8                              |   | 53              | 56775  | BRAKE SWITCH                              | 1                              |                               |               |  |
| 16                 | 30A-04                                 | NUT                                       | 8                              |   | 54              | 9670   | SWITCH - HOUR METER                       | 1                              |                               |               |  |
| 17                 | 14A-08                                 | LOCKWASHER                                | 2                              |   | 55              | 9758   | ALARMSTAT                                 | 1                              | OPTIONAL                      |               |  |
| 18                 | 30A-08                                 | NUT                                       | 2                              |   | 56              | 11772  | PRESSURE STAT                             | 1                              | OPTIONAL                      |               |  |
|                    |  | <b>WIRING HARNESS</b>                     |                                |   | 57              | 11785  | GASKET - FUEL SENDER                      | 1                              |                               |               |  |
| 19                 | 28377                                  | HARNESS - FRONT HEADLIGHTS                | 1                              | OPTIONAL                                    | 58              | 52881  | FUEL LEVEL                                | 1                              |                               |               |  |
| 20                 | 52845                                  | HARNESS - BACK-UP LIGHTS                  | 1                              |   | 59              | 28691  | COOLANT TEMPERATURE                       | 1                              |                               |               |  |
| 21                 | 28390                                  | HARNESS - 1 WIRE ACCESSORY                | 1                              |   | 60              | 57345  | TEMPERATURE SENDER - 8400 TRANSMISSION    | 1                              | OPTIONAL                      |               |  |
| 22                 | 28391                                  | HARNESS - 2 WIRE ACCESSORY                | 1                              |   | 61              | 15801  | OIL PRESSURE SENDER - 8400 TRANSMISSION   | 1                              | OPTIONAL                      |               |  |
| 23                 | 28394                                  | HARNESS - FRONT MOUNT WING                | 1                              | OPTIONAL                                    | 62              | 130B-03  | RING TERMINAL                             | 3                              |                               |               |  |
| 24                 | 28395                                  | HARNESS - REAR MOUNT WING                 | 1                              | OPTIONAL                                    | 63              | 130B-04  | RING TERMINAL                             | 1                              |                               |               |  |
| 25                 | 28396                                  | HARNESS - FRONT MOUNT WING                | 1                              | OPTIONAL                                    | 64              | 130C-03  | RING TERMINAL                             | 3                              |                               |               |  |
| 26                 | *65103                                 | HARNESS - HEATER MOTOR                    | 1                              |   | 65              | 131B-04  | SPADE TERMINAL                            | 2                              |                               |               |  |
| 27                 | 57208                                  | HARNESS - GROUND                          | 1                              |   | 66              | 132A-00  | CLOSED END TERMINAL                       | 1                              |                               |               |  |
| 28                 | 40484                                  | HARNESS - ARTICULATION SWITCH             | 1                              |   | 67              | 133B-00  | BUTT CONNECTOR                            | 1                              |                               |               |  |
| 29                 | 40665                                  | WIRE - SOLENOID TO SOLENOID               | 1                              |   | 68              | 133C-00  | BUTT CONNECTOR                            | 1                              |                               |               |  |
| 30                 | 52705                                  | HARNESS - STOP & REAR TAIL LIGHTS         | 1                              |   | 69              | 134B-180                                       | MALE BULLET                               | 2                              |                               |               |  |
| 31                 | 40951                                  | HARNESS - REAR CHASSIS                    | 1                              |   | 70              | 135B-21  | FEMALE BULLET                             | 2                              |                               |               |  |
| 32                 | 41447                                  | HARNESS - AIR CONDITIONER                 | 1                              |   | 71              | 115B-1206                                      | REDUCER                                   | 1                              |                               |               |  |
| 33                 | 43692                                  | HARNESS - ENGINE                          | 1                              | 710/710A                                    |                 |  |   |                                |                               |               |  |
| 34                 | 43693                                  | HARNESS - ENGINE                          | 1                              | 740 thru 780A                               |                 |  |   |                                |                               |               |  |
| 35                 | 57604                                  | HARNESS - ENGINE                          | 1                              | 720 thru 730A                               |                 |  |   |                                |                               |               |  |
| 36                 | 57736                                  | HARNESS - FLOAT VALVES                    | 1                              | OPTIONAL                                    |                 |  |   |                                |                               |               |  |
| 37                 | *65157                                 | HARNESS - LOWER WINDSHIELD WIPERS         | 1                              |   |                 |  |   |                                |                               |               |  |
| 38                 | 57202                                  | HARNESS - BRAKES - WARNING                | 1                              |   |                 |  |   |                                |                               |               |  |
| 39                 | 57212                                  | HARNESS - BRAKES - CONSOLE                | 1                              |   |                 |  |   |                                |                               |               |  |
| 40                 | 57215                                  | HARNESS - SUPPLEMENTAL STEERING           | 1                              |   |                 |  |   |                                |                               |               |  |
| 41                 | *65200                                 | HARNESS - INSTRUMENT PANEL POWER          | 1                              |   |                 |  |   |                                |                               |               |  |
| 42                 | *65110                                 | HARNESS - INSTRUMENT PANEL                | 1                              |   |                 |  |   |                                |                               |               |  |
| 43                 | *65109                                 | HARNESS - MAIN CHASSIS                    | 1                              |   |                 |  |   |                                |                               |               |  |



EFFECTIVE SERIAL NUMBER(S) 16224, 16245 & UP  
 NUMERO(S) DE SERIE EFFECITIF(S)  
 NUMERO(S) DE SERIE EFFECITIVO(S)  
 U.S. 2021-2 & UP

700 SERIES  
 SERIE 700

SECTION 10 PAGE 7  
 SECCION 10 PAGINA 7



24 VOLT START CIRCUIT

ISSUE No.  
 N° D'ÉMISSION  
 N° DE EDICION 1 REVISION A

BATTERY INSTALLATION

SEPTEMBER 1985

FOR LIST OF PARTS - TURN THIS PAGE

POUR LA LISTE DES PIÈCES - VOIR AU VERSO

PARA LA LISTA DE LAS PIEZAS - VER AL VERSO

USE ONLY CHAMPION ROAD MACHINERY APPROVED PARTS

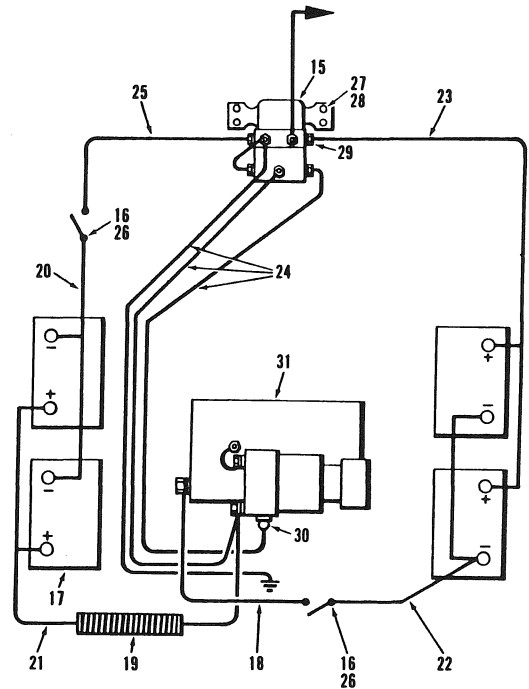
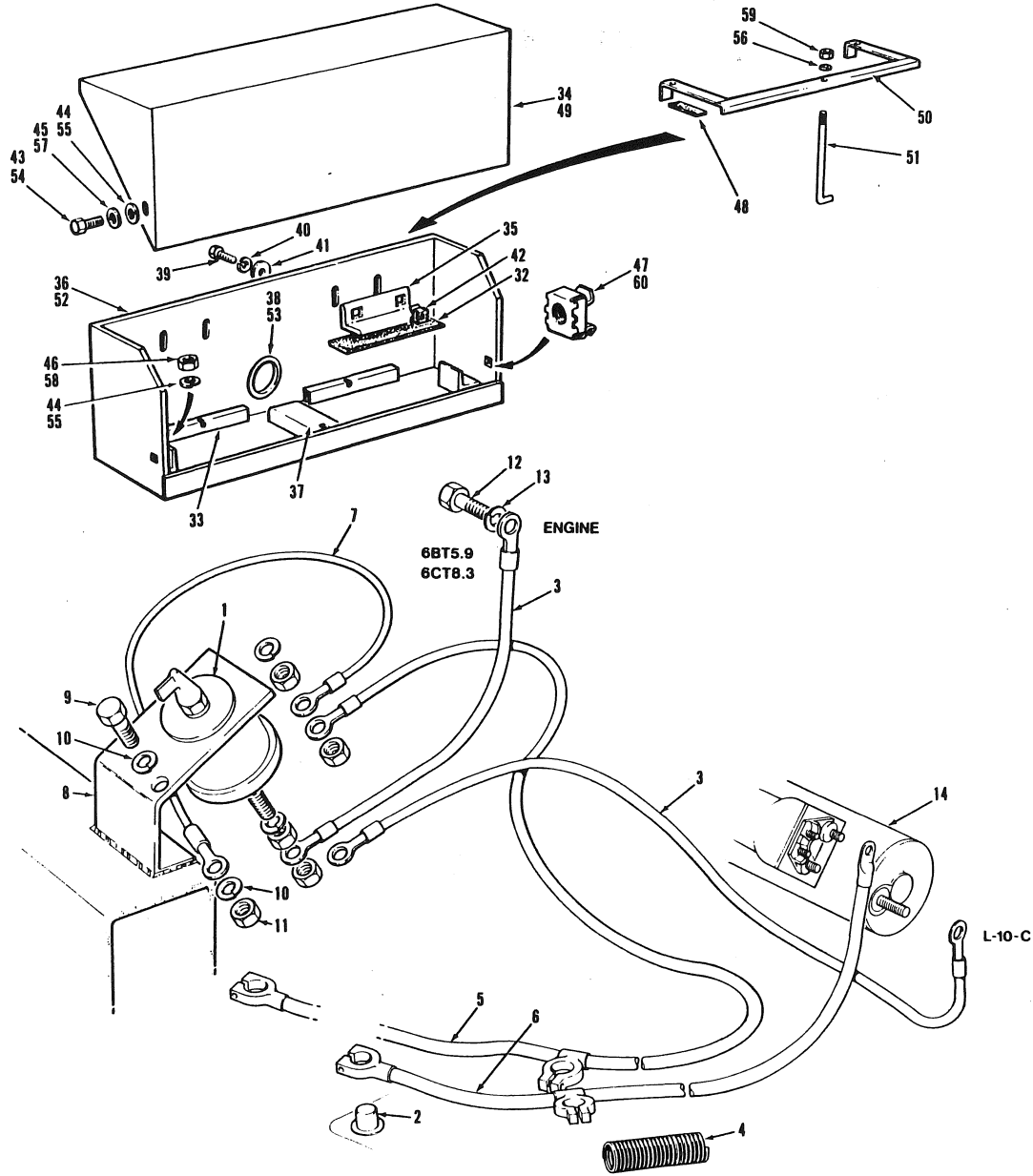
| SECTION 10           |  | PAGE 8  | ISSUE No.<br>N° D'ÉMISSION<br>N° DE EDICION | 1 REVISION A                  | BATTERY INSTALLATION            |  |   |                                |                               | MAY 1985 |
|----------------------|--|---|---|-------------------------------|---------------------------------|--|---|--------------------------------|-------------------------------|----------|
| No.<br>N°<br>N°      | PART No.<br>N° DE PIÉCE<br>N° DE PIEZA | DESCRIPTION<br>DÉSCRIPTION<br>DESCRIPCION             | No. REQ.<br>N° REQ.<br>N° REQ.              | REMARKS<br>REMARQUES<br>NOTAS | No.<br>N°<br>N°                 | PART No.<br>N° DE PIÉCE<br>N° DE PIEZA | DESCRIPTION<br>DÉSCRIPTION<br>DESCRIPCION | No. REQ.<br>N° REQ.<br>N° REQ. | REMARKS<br>REMARQUES<br>NOTAS |          |
| <u>12 VOLT START</u> |  |   |   | STANDARD                      | <u>BATTERY BOX INSTALLATION</u> |  |   |                                |                               |          |
| 1                    | 10984                                  | ISOLATION SWITCH                                      | 1   |                               | 37                              | 7011 X 6                               | WEBBING                                   | 1                              |                               |          |
| 2                    | 19245                                  | BATTERY   | 2   |                               | 38                              | 19531                                  | SPACER                                    | 1                              |                               |          |
| 3                    | 19725                                  | SOLENOID  | 1   |                               | 39                              | 28114                                  | LID ASSY.                                 | 1                              |                               |          |
| 4                    | 23185                                  | CABLE   | 1   |                               | 40                              | 35117                                  | HOLD DOWN                                 | 2                              |                               |          |
| 5                    | 24792                                  | GROUND STRAP  | 1   |                               | 41                              | 36900                                  | BATTERY BOX                               | 1                              |                               |          |
| 6                    | 24793                                  | GROUND STRAP  | 1   |                               | 42                              | 40588                                  | SPACER                                    | 2                              |                               |          |
| 7                    | 27456                                  | PROTECTOR   | 1   |                               | 43                              | 40839 X 85                             | TRIM LOK                                  | 1                              |                               |          |
| 8                    | 27769                                  | BATTERY CABLE - NEGATIVE                              | 1   |                               |                                 |  |   |                                |                               |          |
| 9                    | 27770                                  | BATTERY CABLE - POSITIVE                              | 1   |                               |                                 |  |   |                                |                               |          |
| 10                   | 40518-1                                | BRACKET   | 1   |                               | 44                              | 50A-0508                               | BOLT                                      | A.R.                           |                               |          |
| 11                   | 41309                                  | GROUND STRAP  | 1   |                               | 45                              | 14A-05                                 | LOCKWASHER                                | A.R.                           |                               |          |
| 12                   | 50A-0408                               | BOLT  | A.R.  |                               | 46                              | 14C-05                                 | FLATWASHER                                | A.R.                           |                               |          |
| 13                   | 14A-04                                 | LOCKWASHER  | A.R.  |                               | 47                              | 38A-0503                               | CAGENUT                                   | A.R.                           |                               |          |
| 14                   | 30A-04                                 | NUT   | A.R.  |                               | 48                              | 50A-0608                               | BOLT                                      | A.R.                           |                               |          |
| 15                   | 14A-08                                 | LOCKWASHER  | A.R.  |                               | 49                              | 14A-06                                 | LOCKWASHER                                | A.R.                           |                               |          |
| 16                   | 30A-08                                 | NUT   | A.R.  |                               | 50                              | 14C-06                                 | FLATWASHER                                | A.R.                           |                               |          |
|                      |  |   |   |                               | 51                              | 30A-06                                 | NUT                                       | A.R.                           |                               |          |
|                      |  |   |   |                               | 52                              | 38A-0603                               | CAGENUT                                   | A.R.                           |                               |          |
| 17                   |  | STARTER   | REF.  | SECTION 10<br>PAGE 10         |                                 |  |   |                                |                               |          |
| <u>24 VOLT START</u> |  |   |   | OPTIONAL                      |                                 |  |   |                                |                               |          |
| 18                   | 1170 X 6                               | 10 Ga. WIRE   | A.R.  |                               |                                 |  |   |                                |                               |          |
| 19                   | 1170 X 36                              | 10 Ga. WIRE   | A.R.  |                               |                                 |  |   |                                |                               |          |
| 20                   | 7610 X 36                              | 6 Ga. WIRE  | A.R.  |                               |                                 |  |   |                                |                               |          |
| 21                   | 8048                                   | SERIES PARALLEL SWITCH                                | 1   |                               |                                 |  |   |                                |                               |          |
| 22                   | 10984                                  | ISOLATION SWITCH                                      | 2   |                               |                                 |  |   |                                |                               |          |
| 23                   | 19245                                  | BATTERY   | 4   |                               |                                 |  |   |                                |                               |          |
| 24                   | 23185                                  | BATTERY CABLE   | 2   |                               |                                 |  |   |                                |                               |          |
| 25                   | 27456                                  | BATTERY CABLE PROTECTION                              | 1   |                               |                                 |  |   |                                |                               |          |
| 26                   | 27769                                  | BATTERY CABLE - NEGATIVE                              | 1   |                               |                                 |  |   |                                |                               |          |
| 27                   | 27770                                  | BATTERY CABLE - POSITIVE                              | 1   |                               |                                 |  |   |                                |                               |          |
| 28                   | 27771                                  | BATTERY CABLE - NEGATIVE                              | 1   |                               |                                 |  |   |                                |                               |          |
| 29                   | 27774                                  | BATTERY CABLE - POSITIVE                              | 1   |                               |                                 |  |   |                                |                               |          |
| 30                   | 41438-1                                | BRACKET   | 2   | REPAIR PART                   |                                 |  |   |                                |                               |          |
| 31                   | 41440                                  | WIRING HARNESS - STARTER TO<br>SERIES/PARALLEL SWITCH | 1   |                               |                                 |  |   |                                |                               |          |
| 32                   | 14A-04                                 | LOCKWASHER  | A.R.  |                               |                                 |  |   |                                |                               |          |
| 33                   | 30A-04                                 | NUT   | A.R.  |                               |                                 |  |   |                                |                               |          |
| 34                   | 130B-03                                | No. 10 RING TERMINAL                                  | A.R.  |                               |                                 |  |   |                                |                               |          |
| 35                   | 130B-08                                | 1/2" RING TERMINAL                                    | A.R.  |                               |                                 |  |   |                                |                               |          |
| 36                   |  | STARTER   | REF.  | SECTION 10<br>PAGE 10         |                                 |  |   |                                |                               |          |

CHAMPION ROAD MACHINERY

EFFECTIVE SERIAL NUMBER(S) 17490 & UP  
 NUMEROS(S) DE SÉRIE EFFECTIF(S)  
 NUMEROS(S) DE SÉRIE EFFECTIVOS  
 U.S. 2572-2 & UP

700 SERIES  
 SÉRIE 700

SECTION 10 PAGE  
 SECCION 10 PAGINA 7



24 VOLT START CIRCUIT

ISSUE No.  
 N° D'ÉMISSION  
 N° DE EDICION 2 REVISION A

BATTERY INSTALLATION

JUNE 1987

FOR LIST OF PARTS - TURN THIS PAGE

POUR LA LISTE DES PIÈCES - VOIR AU VERSO

PARA LA LISTA DE LAS PIEZAS - VER AL VERSO

USE ONLY CHAMPION ROAD MACHINERY APPROVED PARTS

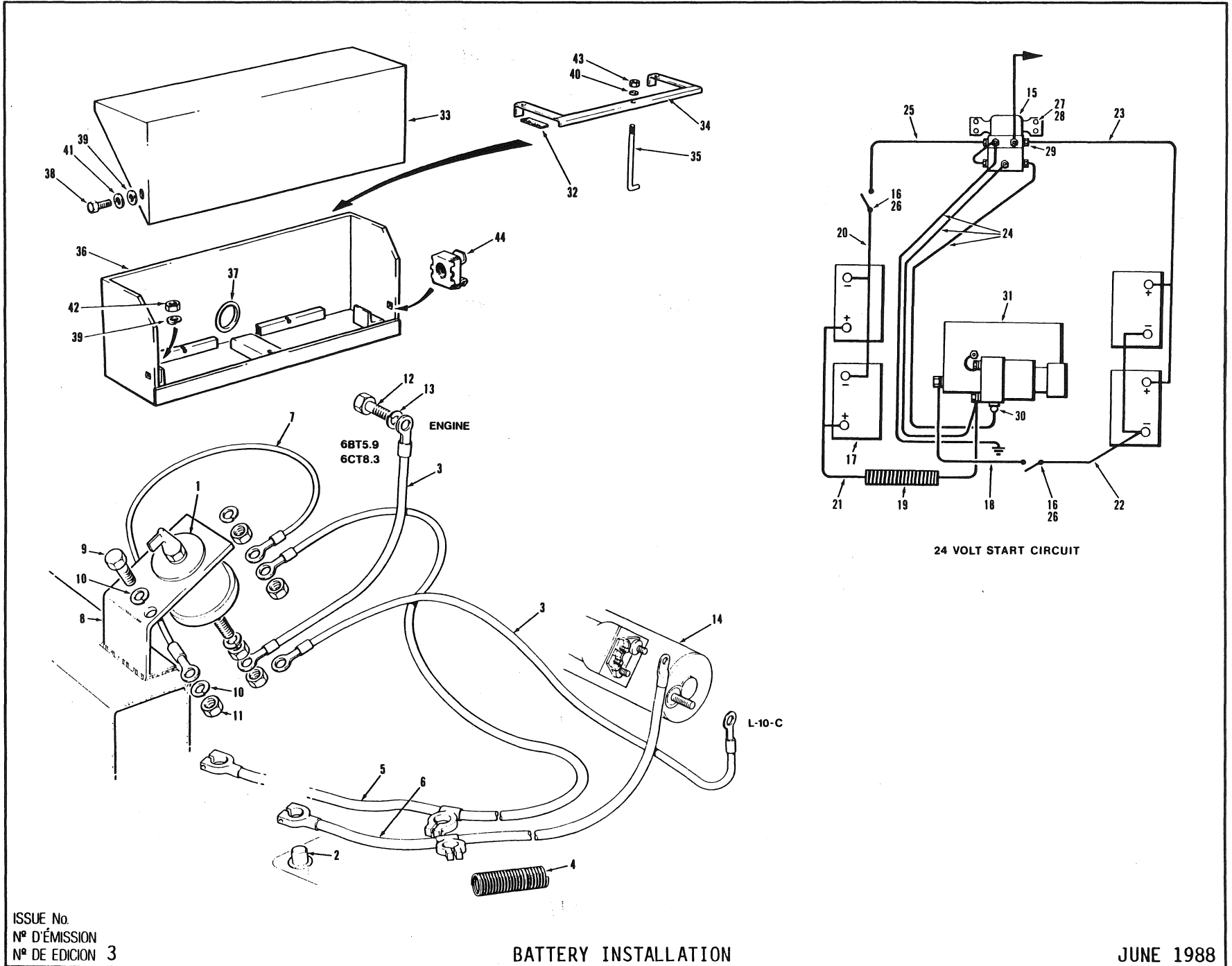
| SECTION<br>SECCION 10 |  | PAGE<br>PAGINA 8                          | ISSUE No.<br>N° D'ÉMISSION<br>N° DE EDICION | 2 REVISION A                  | BATTERY INSTALLATION                          |  |   | JUNE 1987                      |                               |
|-----------------------|--|---|---|-------------------------------|---|--|---|--------------------------------|-------------------------------|
| No.<br>N°<br>N°       | PART No.<br>N° DE PIÈCE<br>N° DE PIEZA | DESCRIPTION<br>DESCRIPTION<br>DESCRIPCION | No. REQ.<br>N° REQ.<br>N° REQ.              | REMARKS<br>REMARQUES<br>NOTAS | No.<br>N°<br>N°                               | PART No.<br>N° DE PIECE<br>N° DE PIEZA | DESCRIPTION<br>DESCRIPTION<br>DESCRIPCION | No. REQ.<br>N° REQ.<br>N° REQ. | REMARKS<br>REMARQUES<br>NOTAS |
| <u>12 VOLT START</u>  |  |   |   | STANDARD                      | <u>BATTERY BOX INSTALLATION</u>               |  |   |                                |                               |
| 1                     | 10984                                  | ISOLATION SWITCH                          | 1   |                               | 32  | 7011 X 6                               | WEBBING                                   | 6                              |                               |
| 2                     | 19245                                  | BATTERY                                   | 2   |                               | 33  | 19531                                  | SPACER                                    | 2                              |                               |
| 3                     | 23185                                  | CABLE                                     | 1   |                               | 34  | 28114                                  | LID                                       | 1                              |                               |
| 4                     | 27456                                  | PROTECTOR                                 | 1   |                               | 35  | 35117                                  | HOLD DOWN                                 | 2                              |                               |
| 5                     | 27769                                  | BATTERY CABLE - NEGATIVE                  | 1   |                               | 36  | 36900                                  | BATTERY BOX                               | 1                              |                               |
| 6                     | 27770                                  | BATTERY CABLE - POSITIVE                  | 1   |                               | 37  | 40588                                  | SPACER                                    | 1                              |                               |
| 7                     | 41309                                  | GROUND STRAP                              | 1   |                               | 38  | 40839 X 8.5                            | TRIM LOK                                  | 1                              |                               |
| 8                     | 43955-1                                | BRACKET                                   | 1   | REPAIR PART                   | 39  | 50A-0508                               | BOLT                                      | 4                              |                               |
| 9                     | *50A-0404                              | BOLT                                      | 1   |                               | 40  | 14A-05                                 | LOCKWASHER                                | 4                              |                               |
| 10                    | 14A-04                                 | LOCKWASHER                                | 2   |                               | 41  | 14C-05                                 | FLATWASHER                                | 4                              |                               |
| 11                    | 30A-04                                 | NUT                                       | 1   |                               | 42  | 38A-0503                               | CAGENUT                                   | 4                              |                               |
| 12                    | 350A-12020                             | BOLT                                      | 1   | } 6BT5.9 &<br>6CT8.3          | 43  | 50A-0608                               | BOLT                                      | 2                              |                               |
| 13                    | 314A-12                                | LOCKWASHER                                | 1   |                               |   | 44                                     | 14A-06                                    | LOCKWASHER                     | 4                             |
| 14                    |  | STARTER                                   | REF.  | SECTION 10<br>PAGE 10         | 45  | 14C-06                                 | FLATWASHER                                | 2                              |                               |
| <u>24 VOLT START</u>  |  |   |   | OPTIONAL                      | 46  | 30A-06                                 | NUT                                       | 4                              |                               |
|                       |  |   |   |                               | 47  | *38A-0602                              | CAGENUT                                   | 2                              |                               |
|                       |  |   |   |                               | <u>TROPICAL PROTECTION PACKAGE - OPTIONAL</u> |  |   |                                |                               |
| 15                    | 8048                                   | SERIES PARALLEL SWITCH                    | 1   |                               | 48  | 7011 X 6                               | WEBBING                                   | 6                              |                               |
| 16                    | 10984                                  | ISOLATION SWITCH                          | 2   |                               | 49  | 28114                                  | LID                                       | 1                              |                               |
| 17                    | 19245                                  | BATTERY                                   | 4   |                               | 50  | *44841                                 | HOLD DOWN                                 | 1                              |                               |
| 18                    | 23185                                  | BATTERY CABLE                             | 1   |                               | 51  | *44842                                 | HOLD DOWN RODS                            | 3                              |                               |
| 19                    | 27456                                  | PROTECTOR                                 | 1   |                               | 52  | *44859                                 | BATTERY BOX                               | 1                              |                               |
| 20                    | 27769                                  | BATTERY CABLE - NEGATIVE                  | 1   |                               | 53  | 40839 X 8.5                            | TRIM LOK                                  | 1                              |                               |
| 21                    | 27770                                  | BATTERY CABLE - POSITIVE                  | 1   |                               | 54  | 50A-0608                               | BOLT                                      | 2                              |                               |
| 22                    | 27771                                  | BATTERY CABLE - NEGATIVE                  | 1   |                               | 55  | 14A-06                                 | LOCKWASHER                                | 4                              |                               |
| 23                    | 27774                                  | BATTERY CABLE - POSITIVE                  | 1   |                               | 56  | *14C-04                                | FLATWASHER                                | 3                              |                               |
| 24                    | 41440                                  | WIRING HARNESS                            | 1   |                               | 57  | 14C-06                                 | FLATWASHER                                | 2                              |                               |
| 25                    | 41653                                  | BATTERY CABLE                             | 1   |                               | 58  | 30A-06                                 | NUT                                       | 4                              |                               |
| 26                    | 43960-1                                | BRACKET                                   | 2   | REPAIR PART                   | 59  | *36D-04                                | NUT                                       | 3                              |                               |
| 27                    | 14A-04                                 | LOCKWASHER                                | 1   |                               | 60  | 38A-0602                               | CAGENUT                                   | 2                              |                               |
| 28                    | 30A-04                                 | NUT                                       | 1   |                               |   |  |   |                                |                               |
| 29                    | 130B-03                                | RING TERMINAL                             | A.R.  |                               |   |  |   |                                |                               |
| 30                    | 130B-08                                | RING TERMINAL                             | A.R.  |                               |   |  |   |                                |                               |
| 31                    |  | STARTER                                   | REF.  | SECTION 10<br>PAGE 10         |   |  |   |                                |                               |

CHAMPION ROAD MACHINERY

EFFECTIVE SERIAL NUMBERS 18861 & UP  
 NUMEROS DE SERIE EFFECTIFS  
 NUMEROS DE SERIE EFFECTIVOS

700 SERIES  
 SERIE 700

SECTION 10 PAGE 7  
 SECTION 10 PAGINA 7



ISSUE No.  
 N° D'ÉMISSION  
 N° DE EDICION 3

BATTERY INSTALLATION

24 VOLT START CIRCUIT

FOR LIST OF PARTS - TURN THIS PAGE

POUR LA LISTE DES PIÈCES - VOIR AU VERSO

PARA LA LISTA DE LAS PIEZAS - VER AL VERSO

JUNE 1988

USE ONLY CHAMPION ROAD MACHINERY APPROVED PARTS

| SECTION<br>SECCION 10 |  | PAGE<br>PAGINA 8                          | ISSUE No.<br>N° D'ÉMISSION<br>N° DE EDICION 3 | BATTERY INSTALLATION          |                                 |  |   | JUNE 1988                      |                               |
|-----------------------|--|---|---|-------------------------------|---------------------------------|--|---|--------------------------------|-------------------------------|
| No.<br>N°<br>N°       | PART No.<br>N° DE PIÈCE<br>N° DE PIEZA | DESCRIPTION<br>DÉSCRIPTION<br>DESCRIPCION | No. REQ.<br>N° REQ.<br>N° REQ.                | REMARKS<br>REMARQUES<br>NOTAS | No.<br>N°<br>N°                 | PART No.<br>N° DE PIECE<br>N° DE PIEZA | DESCRIPTION<br>DÉSCRIPTION<br>DESCRIPCION | No. REQ.<br>N° REQ.<br>N° REQ. | REMARKS<br>REMARQUES<br>NOTAS |
| <u>12 VOLT START</u>  |  |   |   | STANDARD                      | <u>BATTERY BOX INSTALLATION</u> |  |   |                                |                               |
| 1                     | 10984                                  | ISOLATION SWITCH                          | 1   |                               | 32                              | 7011 X 6                               | WEBBING                                   | 6                              |                               |
| 2                     | 19245                                  | BATTERY                                   | 2   |                               | 33                              | 28114                                  | LID                                       | 1                              |                               |
| 3                     | 23185                                  | CABLE                                     | 1   |                               | 34                              | 44841                                  | HOLD DOWN                                 | 1                              |                               |
| 4                     | 27456                                  | PROTECTOR                                 | 1   |                               | 35                              | 44842                                  | HOLD DOWN RODS                            | 3                              |                               |
| 5                     | 27769                                  | BATTERY CABLE - NEGATIVE                  | 1   |                               | 36                              | 44859                                  | BATTERY BOX                               | 1                              |                               |
| 6                     | 27770                                  | BATTERY CABLE - POSITIVE                  | 1   |                               | 37                              | 40839 X 8.5                            | TRIM LOK                                  | 1                              |                               |
| 7                     | 41309                                  | GROUND STRAP                              | 1   |                               | 38                              | 50A-0608                               | BOLT                                      | 2                              |                               |
| 8                     | 43955-1                                | BRACKET                                   | 1   | REPAIR PART                   | 39                              | 14A-06                                 | LOCKWASHER                                | 6                              |                               |
| 9                     | 50A-0408                               | BOLT                                      | 1   |                               | 40                              | 14C-04                                 | FLATWASHER                                | 3                              |                               |
| 10                    | 14A-04                                 | LOCKWASHER                                | 2   |                               | 41                              | 14C-06                                 | FLATWASHER                                | 2                              |                               |
| 11                    | 30A-04                                 | NUT                                       | 1   |                               | 42                              | 30A-06                                 | NUT                                       | 4                              |                               |
| 12                    | 350A-12020                             | BOLT                                      | 1   | } 6BT5.9 &<br>6CT8.3          | 43                              | 36D-04                                 | NUT                                       | 3                              |                               |
| 13                    | 314A-12                                | LOCKWASHER                                | 1   |                               | 44                              | 38A-0602                               | CAGENUT                                   | 2                              |                               |
| 14                    |  | STARTER                                   | REF.  | SECTION 10<br>PAGE 10         |                                 |  |   |                                |                               |
| <u>24 VOLT START</u>  |  |   |   | OPTIONAL                      |                                 |  |   |                                |                               |
| 15                    | 8048                                   | SERIES PARALLEL SWITCH                    | 1   |                               |                                 |  |   |                                |                               |
| 16                    | 10984                                  | ISOLATION SWITCH                          | 2   |                               |                                 |  |   |                                |                               |
| 17                    | 19245                                  | BATTERY                                   | 4   |                               |                                 |  |   |                                |                               |
| 18                    | 23185                                  | BATTERY CABLE                             | 1   |                               |                                 |  |   |                                |                               |
| 19                    | 27456                                  | PROTECTOR                                 | 1   |                               |                                 |  |   |                                |                               |
| 20                    | 27769                                  | BATTERY CABLE - NEGATIVE                  | 1   |                               |                                 |  |   |                                |                               |
| 21                    | 27770                                  | BATTERY CABLE - POSITIVE                  | 1   |                               |                                 |  |   |                                |                               |
| 22                    | 27771                                  | BATTERY CABLE - NEGATIVE                  | 1   |                               |                                 |  |   |                                |                               |
| 23                    | 27774                                  | BATTERY CABLE - POSITIVE                  | 1   |                               |                                 |  |   |                                |                               |
| 24                    | 41440                                  | WIRING HARNESS                            | 1   |                               |                                 |  |   |                                |                               |
| 25                    | 41653                                  | BATTERY CABLE                             | 1   |                               |                                 |  |   |                                |                               |
| 26                    | 43960-1                                | BRACKET                                   | 2   | REPAIR PART                   |                                 |  |   |                                |                               |
| 27                    | 14A-04                                 | LOCKWASHER                                | 1   |                               |                                 |  |   |                                |                               |
| 28                    | 30A-04                                 | NUT                                       | 1   |                               |                                 |  |   |                                |                               |
| 29                    | 130B-03                                | RING TERMINAL                             | A.R.  |                               |                                 |  |   |                                |                               |
| 30                    | 130B-08                                | RING TERMINAL                             | A.R.  |                               |                                 |  |   |                                |                               |
| 31                    |  | STARTER                                   | REF.  | SECTION 10<br>PAGE 10         |                                 |  |   |                                |                               |

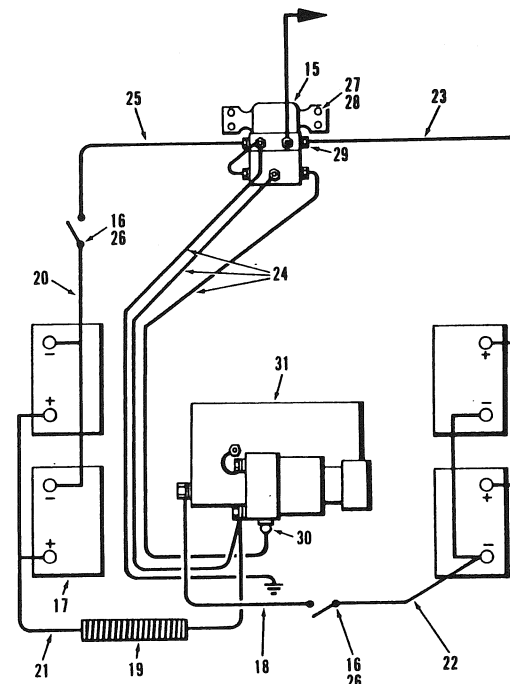
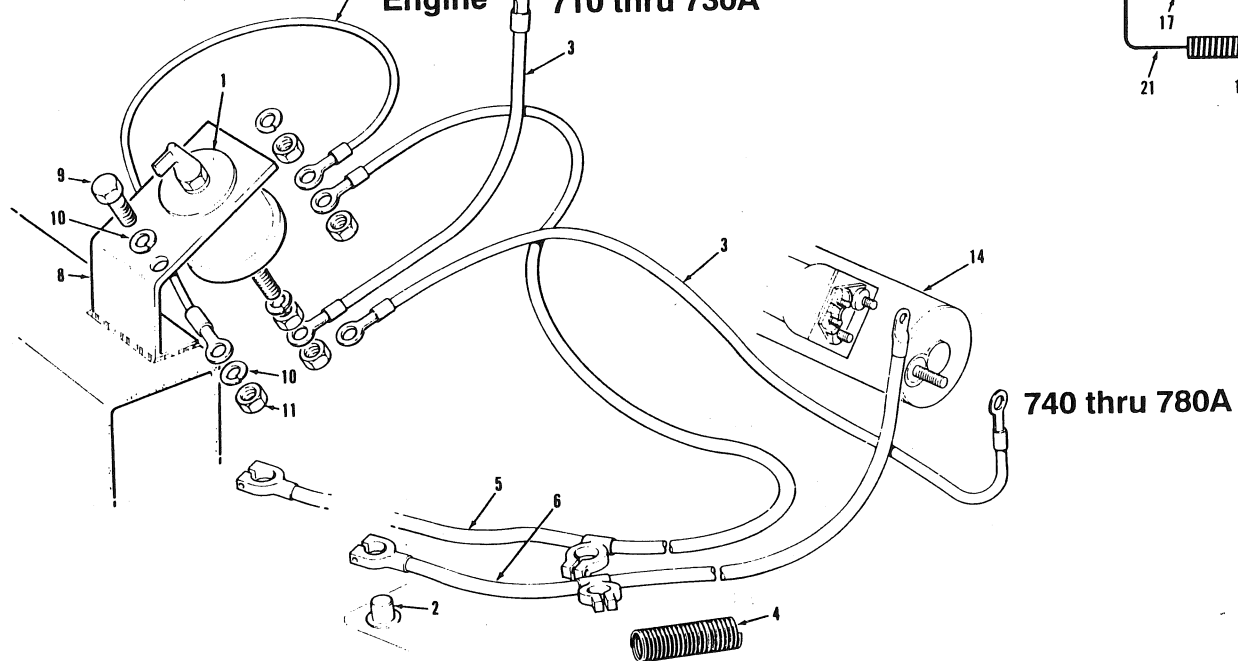
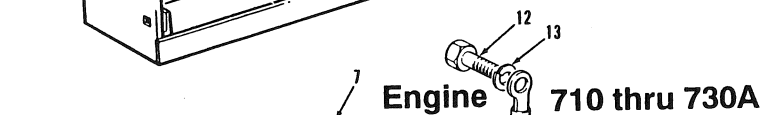
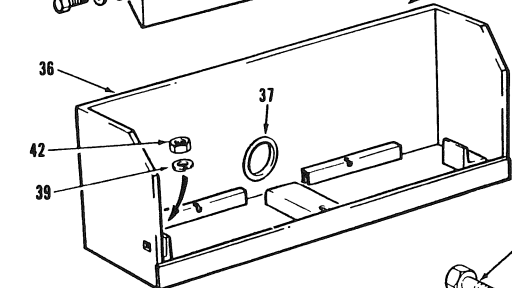
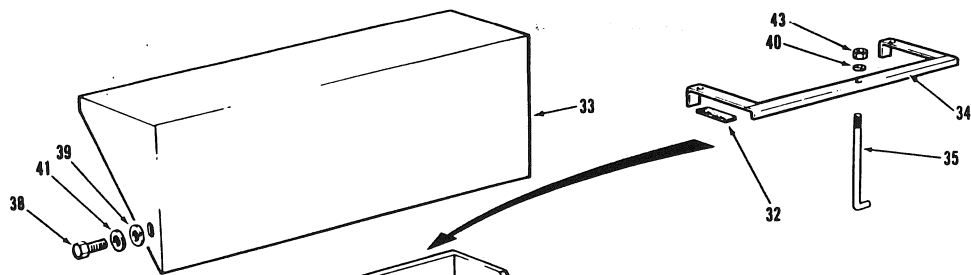
CHAMPION ROAD MACHINERY

EFFECTIVE SERIAL NUMBERS)  
 NUMEROSI DE SÉRIE EFFECTIFS)  
 NUMEROSI DE SERIE EFFECTIVOS)

20038, 20041, 20043  
 20046 & UP

700 SERIES  
 SERIE 700

SECTION 10 PAGE 7  
 SECTION 10 PAGINA 7



ISSUE No.  
 N° D'ÉMISSION  
 N° DE EDICION 4

BATTERY INSTALLATION

SEPTEMBER 1990

FOR LIST OF PARTS - TURN THIS PAGE

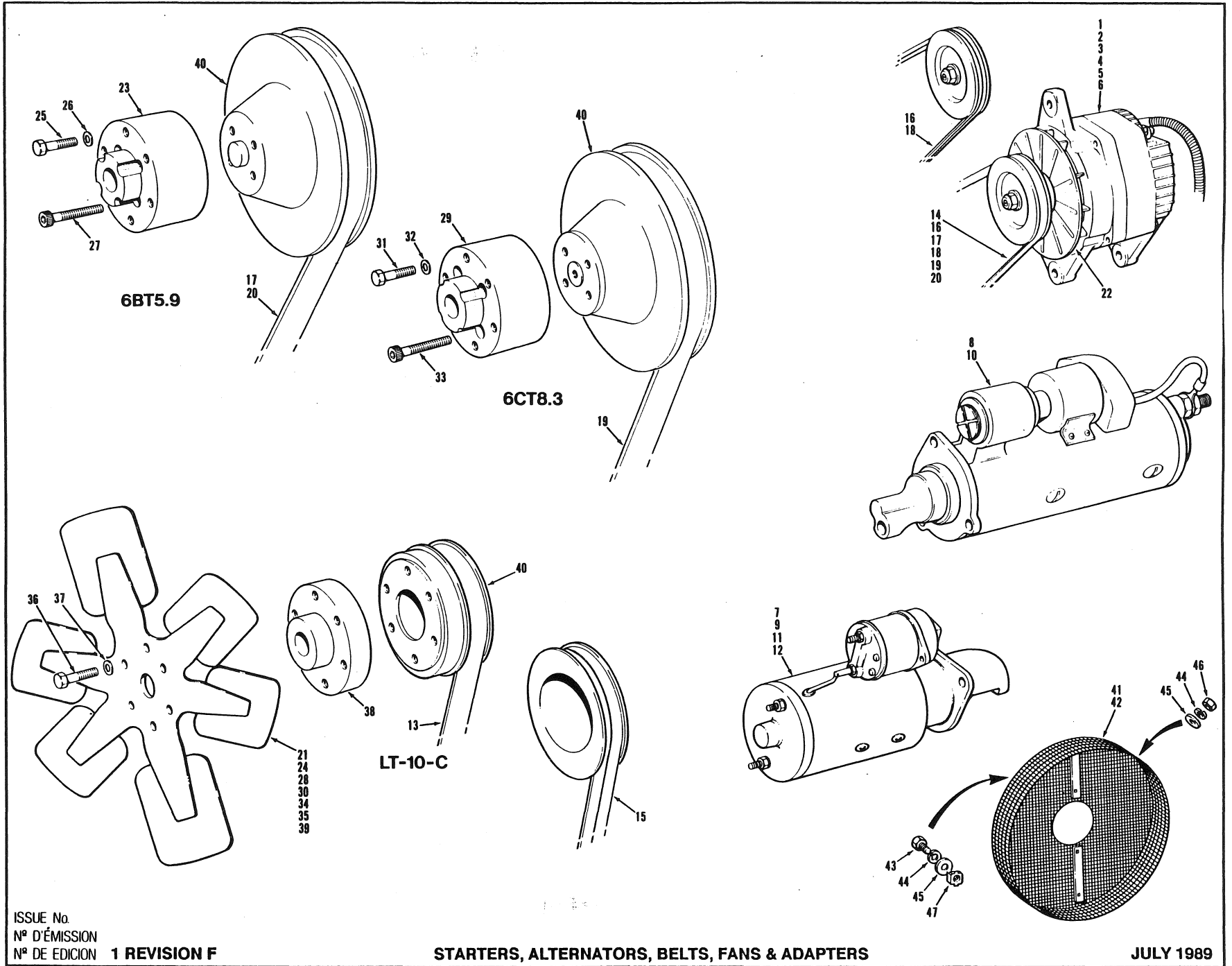
POUR LA LISTE DES PIÈCES - VOIR AU VERSO

PARA LA LISTA DE LAS PIEZAS - VFR AL VERSO

USE ONLY CHAMPION ROAD MACHINERY APPROVED PARTS

| SECTION       |                                  | PAGE                                | ISSUE No.                | BATTERY INSTALLATION    |           | SEPTEMBER 1990                   |                                     |                          |                         |
|---------------|----------------------------------|-------------------------------------|--------------------------|-------------------------|-----------|----------------------------------|-------------------------------------|--------------------------|-------------------------|
| N° DE EDICION |                                  | PAGINA                              | N° D'ÉMISSION            |                         |           |                                  |                                     |                          |                         |
| 10            |                                  | 8                                   | 4                        |                         |           |                                  |                                     |                          |                         |
| No. N° N°     | PART No. N° DE PIÈCE N° DE PIEZA | DESCRIPTION DESCRIPTION DESCRIPCION | No. REQ. N° REQ. N° REQ. | REMARKS REMARQUES NOTAS | No. N° N° | PART No. N° DE PIECE N° DE PIEZA | DESCRIPTION DESCRIPTION DESCRIPCION | No. REQ. N° REQ. N° REQ. | REMARKS REMARQUES NOTAS |
|               |                                  | <b>12 VOLT START</b>                |                          | STANDARD                |           |                                  | <b>BATTERY BOX INSTALLATION</b>     |                          |                         |
| 1             | 10984                            | ISOLATION SWITCH                    | 1                        |                         | 32        | 7011 x 6                         | WEBBING                             | 6                        |                         |
| 2             | *52924                           | BATTERY                             | 2                        | 710 thru 730A           | 33        | 28114                            | LID                                 | 1                        |                         |
|               | *52925                           | BATTERY                             | 2                        | 740 thru 780A           | 34        | 44841                            | HOLD DOWN                           | 1                        |                         |
| 3             | 23185                            | CABLE                               | 1                        |                         | 35        | 44842                            | HOLD DOWN RODS                      | 3                        |                         |
| 4             | 27456                            | PROTECTOR                           | 1                        |                         | 36        | 44859                            | BATTERY BOX                         | 1                        |                         |
| 5             | 27769                            | BATTERY CABLE - NEGATIVE            | 1                        |                         | 37        | 40839 x 8.5                      | TRIM LOK                            | 1                        |                         |
| 6             | 27770                            | BATTERY CABLE - POSITIVE            | 1                        |                         | 38        | 50A-0508                         | BOLT                                | 2                        |                         |
| 7             | *57070                           | GROUND STRAP                        | 1                        |                         | 39        | 14A-06                           | LOCKWASHER                          | 6                        |                         |
| 8             | *51594                           | BRACKET                             | 1                        | Repair Part             | 40        | 14C-04                           | FLATWASHER                          | 3                        |                         |
| 9             | *50A-0508                        | BOLT                                | 1                        |                         | 41        | 14C-06                           | FLATWASHER                          | 2                        |                         |
| 10            | *14A-05                          | LOCKWASHER                          | 2                        |                         | 42        | 30A-06                           | NUT                                 | 4                        |                         |
| 11            | *30A-05                          | NUT                                 | 1                        |                         | 43        | 36D-04                           | NUT                                 | 3                        |                         |
| 12            | 350A-12020                       | BOLT                                | 1                        | 710 thru 730A           |           |                                  |                                     |                          |                         |
| 13            | 314A-12                          | LOCKWASHER                          | 1                        | REF. SECT. 10 PG. 9     |           |                                  |                                     |                          |                         |
| 14            |                                  | STARTER                             |                          |                         |           |                                  |                                     |                          |                         |
|               |                                  | <b>24 VOLT START</b>                |                          |                         |           |                                  |                                     |                          |                         |
| 15            | 8048                             | SERIES PARALLEL SWITCH              | 1                        |                         |           |                                  |                                     |                          |                         |
| 16            | 10984                            | ISOLATION SWITCH                    | 2                        |                         |           |                                  |                                     |                          |                         |
| 17            | *52924                           | BATTERY                             | 4                        |                         |           |                                  |                                     |                          |                         |
| 18            | 23185                            | BATTERY CABLE                       | 4                        |                         |           |                                  |                                     |                          |                         |
| 19            | 27456                            | PROTECTOR                           | 1                        |                         |           |                                  |                                     |                          |                         |
| 20            | 27769                            | BATTERY CABLE - NEGATIVE            | 1                        |                         |           |                                  |                                     |                          |                         |
| 21            | 27770                            | BATTERY CABLE - POSITIVE            | 1                        |                         |           |                                  |                                     |                          |                         |
| 22            | 27771                            | BATTERY CABLE - NEGATIVE            | 1                        |                         |           |                                  |                                     |                          |                         |
| 23            | 27774                            | BATTERY CABLE - POSITIVE            | 1                        |                         |           |                                  |                                     |                          |                         |
| 24            | 41440                            | WIRING HARNESS                      | 1                        |                         |           |                                  |                                     |                          |                         |
| 25            | 41653                            | BATTERY CABLE                       | 1                        |                         |           |                                  |                                     |                          |                         |
| 26            | *51621                           | BRACKET                             | 2                        | Repair Part             |           |                                  |                                     |                          |                         |
| 27            | 14A-04                           | LOCKWASHER                          | 1                        |                         |           |                                  |                                     |                          |                         |
| 28            | 30A-04                           | NUT                                 | 1                        |                         |           |                                  |                                     |                          |                         |
| 29            | 130B-03                          | RING TERMINAL                       | 1                        |                         |           |                                  |                                     |                          |                         |
| 30            | 130B-08                          | RING TERMINAL                       | 1                        |                         |           |                                  |                                     |                          |                         |
| 31            |                                  | STARTER                             |                          | REF. SECT. 10 PG. 9     |           |                                  |                                     |                          |                         |





EFFECTIVE SERIAL NUMBER(S)  
 NUMEROS(S) DE SERIE EFFECTIFS(S)  
 NUMEROS(S) DE SERIE EFFECTIVOS(S)  
 U.S. 2021-2 to 2658-2

16224, 16245 & UP

700 SERIES  
 SERIE 700

SECTION 10 PAGE 9  
 SECTION 10 PAGINA 9

ISSUE No.  
 N° D'ÉMISSION  
 N° DE EDICION **1 REVISION F**

**STARTERS, ALTERNATORS, BELTS, FANS & ADAPTERS**

**JULY 1989**

FOR LIST OF PARTS - TURN THIS PAGE

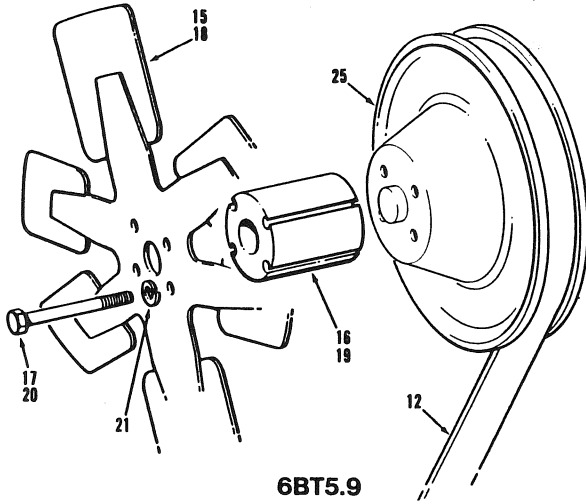
POUR LA LISTE DES PIÈCES - VOIR AU VERSO

PARA LA LISTA DE LAS PIEZAS - VER AL VERSO

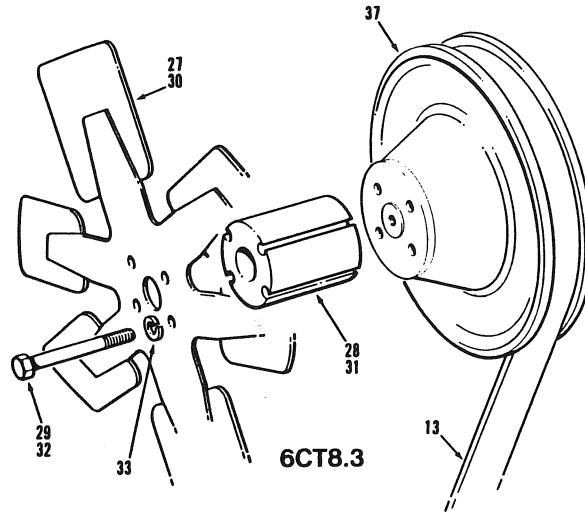
USE ONLY  **CHAMPION** ROAD MACHINERY APPROVED PARTS

| SECTION<br>SECCION            |  | PAGE<br>PAGINA                             |  | ISSUE No.<br>N° D'ÉMISSION<br>N° DE EDICION |                               | 1 REVISION F    |  | STARTERS, ALTERNATORS, BELTS, FANS & ADAPTERS |  |                                |                               | JULY 1989                      |   |                           |  |
|-------------------------------|--|--|--|---|-------------------------------|-----------------|--|---|--|--------------------------------|-------------------------------|--------------------------------|---|---------------------------|--|
| No.<br>N°<br>N°               | PART No.<br>N° DE PIÈCE<br>N° DE PIEZA | DESCRIPTION<br>DÉSCRIPTION<br>DESCRIPCION  |  | No. REQ.<br>N° REQ.<br>N° REQ.              | REMARKS<br>REMARQUES<br>NOTAS | No.<br>N°<br>N° | PART No.<br>N° DE PIECE<br>N° DE PIEZA | DESCRIPTION<br>DÉSCRIPTION<br>DESCRIPCION     |  | No. REQ.<br>N° REQ.<br>N° REQ. | REMARKS<br>REMARQUES<br>NOTAS |                                |   |                           |  |
| <b>ALTERNATORS</b>            |  |  |  |   |                               |                 |  |   |  |                                |                               |                                |   |                           |  |
| 1                             | 14738                                  | ALTERNATOR - 12 VOLT - 65 AMP.             |  | 1   | 6BT5.9                        | 21              | 41963                                  | FAN - SUCKER                                  |  | 1                              | }                             | 6BT5.9                         |   |                           |  |
| 2                             | 23781                                  | ALTERNATOR - 24 VOLT - 105 AMP.            |  | 1   |                               | 22              | 43498                                  | FAN - USED WITH 105 AMP. ALTERNATOR           |  | 1                              |                               |                                |   |                           |  |
| 3                             | 32282                                  | ALTERNATOR - 12 VOLT - 90 AMP.             |  | 1   | 720 thru 780A                 | 23              | 43805                                  | ADAPTER                                       |  | 1                              |                               |                                |   |                           |  |
| 4                             | 42094                                  | ALTERNATOR - 12 VOLT - 105 AMP. (OPTIONAL) |  | 1   | 6BT5.9                        | 24              | 50057                                  | FAN - BLOWER                                  |  | 1                              |                               |                                |   |                           |  |
| 5                             | 32678                                  | BLOCKING DIODE - 105 AMP                   |  | 1   |                               | 25              | 50A-0610                               | BOLT  |  | 6                              |                               |                                |   |                           |  |
| 6                             | 42860                                  | ALTERNATOR - 24 VOLT - 45 AMP.             |  | 1   |                               | 26              | 14A-06                                 | LOCKWASHER                                    |  | 6                              |                               |                                |   |                           |  |
| <b>STARTERS</b>               |  |  |  |   |                               |                 |  |   |  |                                |                               |                                |   |                           |  |
| 7                             | 40195                                  | STARTER - 12 VOLT                          |  | 1   | 6BT5.9                        | 28              | 41963                                  | FAN - SUCKER                                  |  | 1                              | }                             | 6CT8.3                         |   |                           |  |
| 8                             | 40923                                  | STARTER - 12 VOLT                          |  | 1   | LT-10-C                       | 29              | 43804                                  | ADAPTER - FOR SUCKER FAN OR BLOWER            |  | 1                              |                               |                                |   |                           |  |
| 9                             | 46472                                  | STARTER - 12 VOLT                          |  | 1   | V/VT-504-C                    | 30              | 50057                                  | FAN C/W AIR CONDITIONER                       |  | 1                              |                               |                                |   |                           |  |
| 10                            | 40924                                  | STARTER - 24 VOLT                          |  | 1   | 6CT8.3                        | 31              | 50A-0610                               | FAN - BLOWER                                  |  | 6                              |                               |                                |   |                           |  |
| 11                            | 40778                                  | STARTER - 24 VOLT                          |  | 1   | LT-10-C                       | 32              | 14A-06                                 | BOLT  |  | 6                              |                               |                                |   |                           |  |
| 12                            | *48517                                 | STARTER - 24 VOLT                          |  | 1   | V/VT-504-C                    | 33              | 350D-10050                             | LOCKWASHER                                    |  | 6                              |                               |                                |   |                           |  |
| <b>BELTS</b>                  |  |  |  |   |                               |                 |  |   |  |                                |                               |                                |   |                           |  |
| 13                            | 37109                                  | BELT - FAN                                 |  | 1   | 6BT5.9                        | 34              | 42541                                  | CAPSCREW                                      |  | 4                              | }                             | LT-10-C                        |   |                           |  |
| 14                            | 37110                                  | BELT - ALTERNATOR                          |  | 1   | LT-10-C                       | 35              | 44744                                  | FAN - SUCKER                                  |  | 1                              |                               |                                |   |                           |  |
| 15                            | 37111                                  | BELT - FAN                                 |  | 2   | LT-10-C                       | 36              | 50A-0624                               | FAN - BLOWER                                  |  | 1                              |                               |                                |   |                           |  |
| 16                            | 37112                                  | BELT - ALTERNATOR                          |  | 2   | V/VT-504-C                    | 37              | 14A-06                                 | BOLT  |  | 6                              |                               |                                |   |                           |  |
| 17                            | 37114                                  | BELT - FAN/ALTERNATOR                      |  | 1   | V-504-C                       | 38              |  | LOCKWASHER                                    |  | 6                              |                               |                                |   |                           |  |
| 18                            | 37157                                  | BELT - ALTERNATOR                          |  | 2   | 6BT5.9                        | 39              |  | ADAPTER (SEE ENGINE MANUAL)                   |  | 1                              |                               |                                |   |                           |  |
| 19                            | 37395                                  | BELT - FAN/ALTERNATOR                      |  | 1   | VT-504-C                      | 40              |  | FAN (SEE ENGINE MANUAL)                       |  | 1                              | }                             | V/VT-504-C<br>ENGINE<br>MANUAL |   |                           |  |
| 20                            | 43119                                  | BELT - FAN/ALTERNATOR - 105 AMP.           |  | 1   | 6CT8.3                        | 41              | *44747                                 | PULLEY  |  | REF.                           |                               |                                |   |                           |  |
| <b>FAN GUARD INSTALLATION</b> |  |  |  |   |                               |                 |  |   |  |                                |                               |                                |   |                           |  |
|                               |  |  |  |   |                               | 42              | *45458                                 | FAN GUARD                                     |  | 1                              |                               |                                | } | LT-10-C<br>6BT5.9, 6CT8.3 |  |
|                               |  |  |  |   |                               | 43              | *50A-0506                              | FAN GUARD                                     |  | 1                              |                               |                                |   |                           |  |
|                               |  |  |  |   |                               | 44              | *14A-05                                | BOLT  |  | 4                              |                               |                                |   |                           |  |
|                               |  |  |  |   |                               | 45              | *14C-05                                | LOCKWASHER                                    |  | 8                              |                               |                                |   |                           |  |
|                               |  |  |  |   |                               | 46              | *30A-05                                | FLATWASHER                                    |  | 8                              |                               |                                |   |                           |  |
|                               |  |  |  |   |                               | 47              | *38A-0502                              | NUT   |  | 4                              |                               |                                |   |                           |  |
|                               |  |  |  |   |                               |                 |  | CAGE NUT                                      |  | 4                              |                               |                                |   |                           |  |

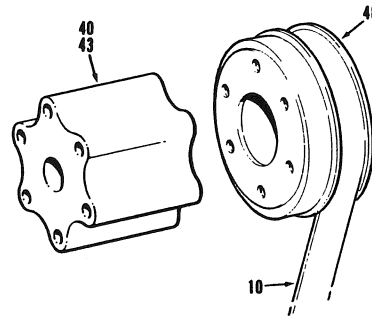
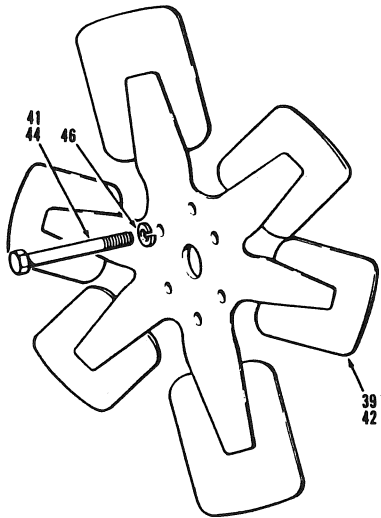
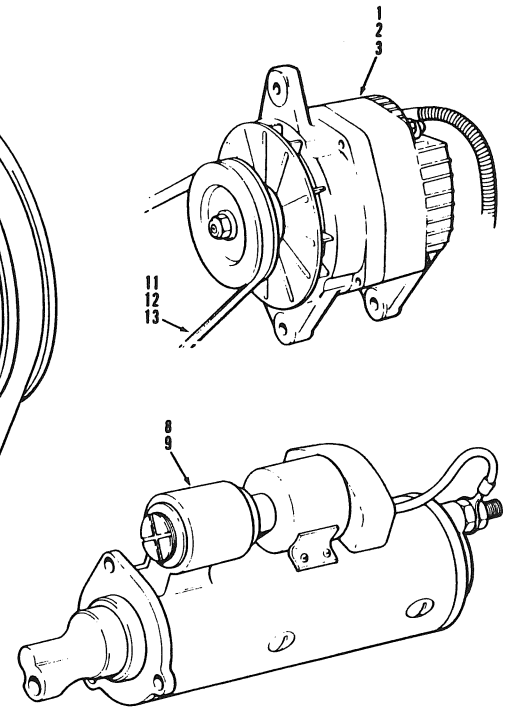
CHAMPION ROAD MACHINERY



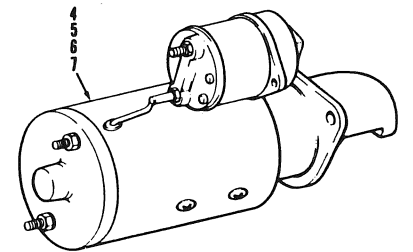
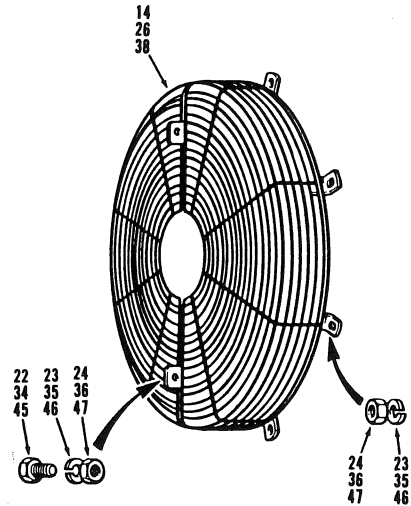
6BT5.9



6CT8.3



LT-10-C



EFFECTIVE SERIAL NUMBERS) 19982, 19984, 19985, 19996,  
 NUMEROS) DE SERIE EFFECTIFS) 20005, 20227 to 20232,  
 NUMEROS) DE SERIE EFFECTIVOS) 20265 to 20375, 20383 & UP

700 SERIES  
 SERIE 700

SECTION 10 PAGE 9  
 SECCION 10 PAGINA 9

ISSUE No.  
 N° D'ÉMISSION  
 N° DE EDICION 2

STARTERS, ALTERNATORS, BELTS, FANS & ADAPTERS

FEBRUARY 1990

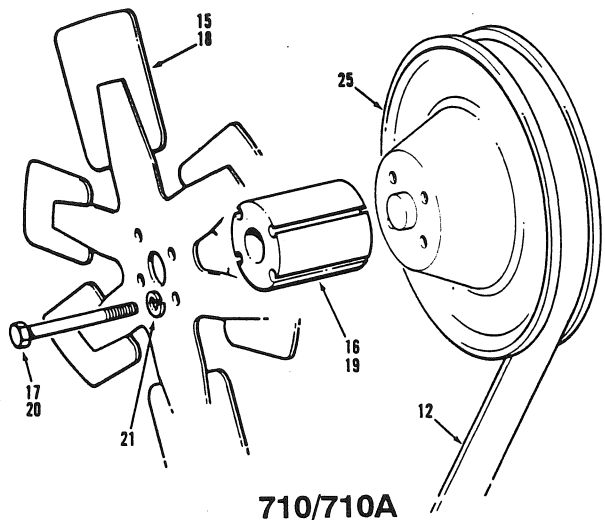
FOR LIST OF PARTS - TURN THIS PAGE

POUR LA LISTE DES PIÈCES - VOIR AU VERSO

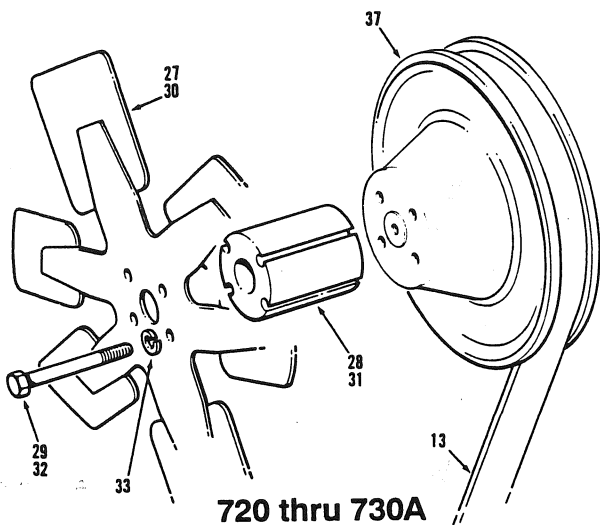
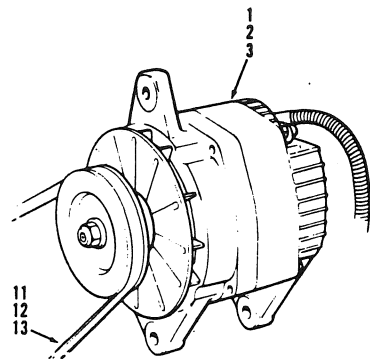
PARA LA LISTA DE LAS PIEZAS - VER AL VERSO

USE ONLY CHAMPION ROAD MACHINERY APPROVED PARTS

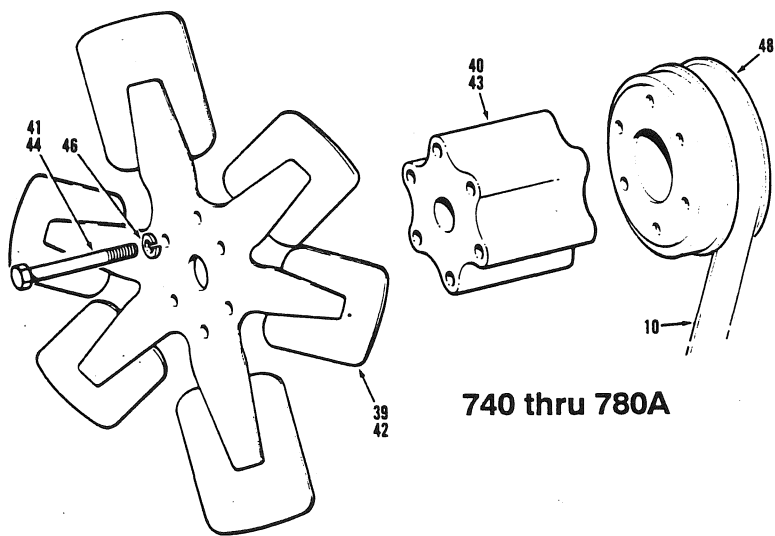
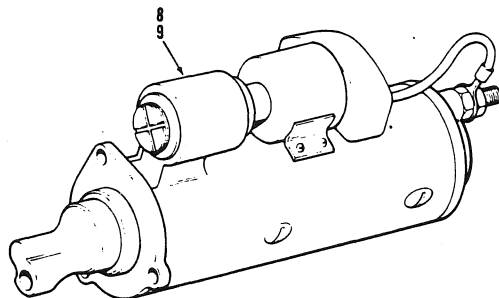
| SECTION<br>SECCION         |  | PAGE<br>PAGINA                            |                                | ISSUE No.<br>N° D'ÉMISSION<br>N° DE EDICION |                 | STARTERS, ALTERNATORS, BELTS, FANS & ADAPTERS |   |                                |                               | FEBRUARY 1990 |  |
|----------------------------|--|---|--------------------------------|---|-----------------|---|---|--------------------------------|-------------------------------|---------------|--|
| No.<br>N°<br>N°            | PART No.<br>N° DE PIÈCE<br>N° DE PIEZA | DESCRIPTION<br>DESCRIPTION<br>DESCRIPCION | No. REQ.<br>N° REQ.<br>N° REQ. | REMARKS<br>REMARQUES<br>NOTAS               | No.<br>N°<br>N° | PART No.<br>N° DE PIÈCE<br>N° DE PIEZA        | DESCRIPTION<br>DESCRIPTION<br>DESCRIPCION | No. REQ.<br>N° REQ.<br>N° REQ. | REMARKS<br>REMARQUES<br>NOTAS |               |  |
| <b>ALTERNATORS</b>         |  |   |                                |   |                 |   |   |                                |                               |               |  |
| 1                          | 32282                                  | ALTERNATOR - 12 VOLT - 90 AMP             | 1                              | 720 thru 780A                               | 38              | *52681  | FAN GUARD                                 | 2                              |                               |               |  |
| 2                          | 42860                                  | ALTERNATOR - 24 VOLT - 45 AMP             | 1                              |   | 39              | *52693  | FAN - BLOWER                              | 1                              |                               |               |  |
| 3                          | *54960                                 | ALTERNATOR - 12 VOLT - 100 AMP            | 1                              | 710/710A                                    | 40              | *52900  | SPACER - BLOWER                           | 1                              |                               |               |  |
|                            |  |   |                                |   | 41              | *50A-0624                                     | BOLT - BLOWER                             | 6                              |                               |               |  |
|                            |  |   |                                |   | 42              | *52695  | FAN - SUCKER                              | 1                              | 740 thru 780A                 |               |  |
|                            |  |   |                                |   | 43              | *52901  | SPACER - SUCKER                           | 1                              |                               |               |  |
| <b>STARTERS</b>            |  |   |                                |   |                 |   |   |                                |                               |               |  |
| 4                          | 40195                                  | STARTER - 12 VOLT                         | 1                              | 710/710A                                    | 44              | *50A-0636                                     | BOLT - SUCKER                             | 6                              |                               |               |  |
| 5                          | 40778                                  | STARTER - 24 VOLT                         | 1                              | 710/710A                                    | 45              | *50A-0608                                     | BOLT                                      | 2                              |                               |               |  |
| 6                          | 46472                                  | STARTER - 12 VOLT                         | 1                              | 720 thru 730A                               | 46              | *14A-06                                       | LOCKWASHER                                | 16                             |                               |               |  |
| 7                          | 48517                                  | STARTER - 24 VOLT                         | 1                              | 720 thru 730A                               | 47              | *30A-06                                       | NUT                                       | 10                             |                               |               |  |
| 8                          | 40923                                  | STARTER - 12 VOLT                         | 1                              | 740 thru 780A                               | 48              |   | PULLEY                                    | REF.                           | ENGINE<br>MANUAL              |               |  |
| 9                          | 40924                                  | STARTER - 24 VOLT                         | 1                              | 740 thru 780A                               |                 |   |   |                                |                               |               |  |
| <b>BELTS</b>               |  |   |                                |   |                 |   |   |                                |                               |               |  |
| 10                         | 37109                                  | BELT - FAN                                | 1                              | 740 thru 780A                               |                 |   |   |                                |                               |               |  |
| 11                         | 37110                                  | BELT - ALTERNATOR                         | 1                              | 740 thru 780A                               |                 |   |   |                                |                               |               |  |
| 12                         | 37114                                  | BELT - FAN/ALTERNATOR                     | 1                              | 710/710A                                    |                 |   |   |                                |                               |               |  |
| 13                         | 37395                                  | BELT - FAN/ALTERNTOR                      | 1                              | 720 thru 730A                               |                 |   |   |                                |                               |               |  |
| <b>FANS &amp; ADAPTERS</b> |  |   |                                |   |                 |   |   |                                |                               |               |  |
| 14                         | *52680                                 | FAN GUARD                                 | 2                              | 710/710A                                    |                 |   |   |                                |                               |               |  |
| 15                         | *52692                                 | FAN - BLOWER                              | 1                              |   |                 |   |   |                                |                               |               |  |
| 16                         | *52896                                 | SPACER - BLOWER                           | 1                              |   |                 |   |   |                                |                               |               |  |
| 17                         | *350A-08090                            | BOLT - BLOWER                             | 4                              |   |                 |   |   |                                |                               |               |  |
| 18                         | *52694                                 | FAN SUCKER                                | 1                              |   |                 |   |   |                                |                               |               |  |
| 19                         | *52897                                 | SPACER - SUCKER                           | 1                              |   |                 |   |   |                                |                               |               |  |
| 20                         | *350A-08110                            | BOLT - SUCKER                             | 4                              |   |                 |   |   |                                |                               |               |  |
| 21                         | *314A-08                               | LOCKWASHER                                | 4                              |   |                 |   |   |                                |                               |               |  |
| 22                         | *50A-0608                              | BOLT                                      | 2                              |   |                 |   |   |                                |                               |               |  |
| 23                         | *14A-06                                | LOCKWASHER                                | 10                             |   |                 |   |   |                                |                               |               |  |
| 24                         | *30A-06                                | NUT                                       | 10                             |   |                 |   |   |                                |                               |               |  |
| 25                         |  | PULLEY                                    | REF.                           | ENGINE<br>MANUAL                            |                 |   |   |                                |                               |               |  |
| 26                         | *52680                                 | FAN GUARD                                 | 2                              | 720 thru 730A                               |                 |   |   |                                |                               |               |  |
| 27                         | *52692                                 | FAN - BLOWER                              | 1                              |   |                 |   |   |                                |                               |               |  |
| 28                         | *52898                                 | SPACER - BLOWER                           | 1                              |   |                 |   |   |                                |                               |               |  |
| 29                         | *350A-10090                            | BOLT - BLOWER                             | 4                              |   |                 |   |   |                                |                               |               |  |
| 30                         | *52694                                 | FAN - SUCKER                              | 1                              |   |                 |   |   |                                |                               |               |  |
| 31                         | 52899                                  | SPACER - SUCKER                           | 1                              |   |                 |   |   |                                |                               |               |  |
| 32                         | *350A-10110                            | BOLT - SUCKER                             | 4                              |   |                 |   |   |                                |                               |               |  |
| 33                         | *314A-10                               | LOCKWASHER                                | 4                              |   |                 |   |   |                                |                               |               |  |
| 34                         | *50A-0608                              | BOLT                                      | 2                              |   |                 |   |   |                                |                               |               |  |
| 35                         | *14A-06                                | LOCKWASHER                                | 10                             |   |                 |   |   |                                |                               |               |  |
| 36                         | *30A-06                                | NUT                                       | 10                             |   |                 |   |   |                                |                               |               |  |
| 37                         |  | PULLEY                                    | REF.                           | ENGINE<br>MANUAL                            |                 |   |   |                                |                               |               |  |



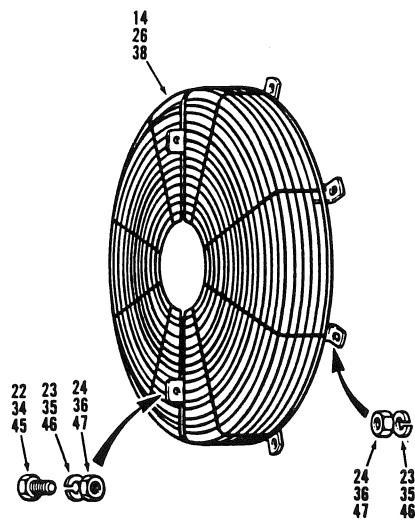
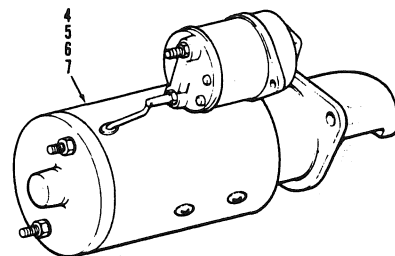
710/710A



720 thru 730A



740 thru 780A

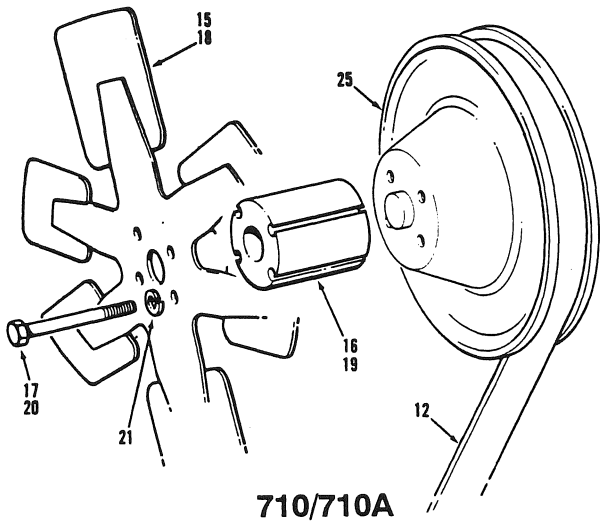


EFFECTIVE SERIAL NUMBER(S) 21003 to 21164  
 NUMERO(S) DE SÉRIE EFFECTIF(S) INCLUDING 21176  
 NUMERO(S) DE SERIE EFECTIVO(S)

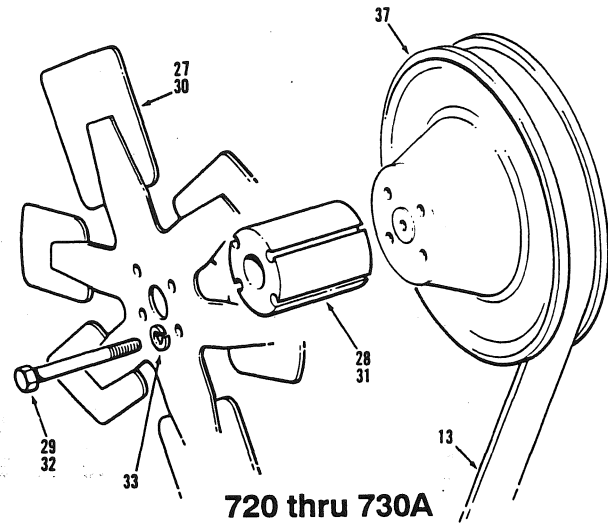
**700 SERIES**  
**SERIE 700**

**SECTION**  
**SECCION 10 PAGE**  
**PAGINA 9**

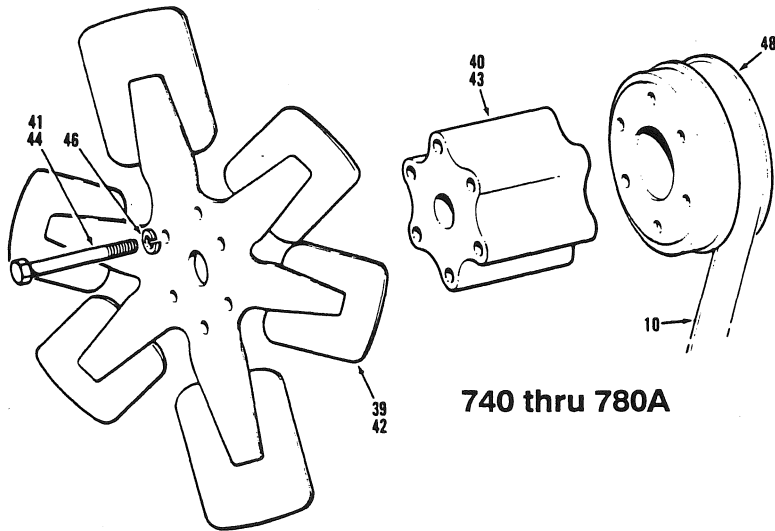
| SECTION<br>SECCION         |  | PAGE<br>PAGINA                            |                                | ISSUE No.<br>N° D'ÉMISSION<br>N° DE EDICION |                 | 3 REVISION A                           |   | STARTERS, ALTERNATORS, BELTS, FANS & ADAPTERS |                               |  | JULY 1991 |  |
|----------------------------|--|---|--------------------------------|---|-----------------|--|---|---|-------------------------------|--|-----------|--|
| No.<br>N°<br>N°            | PART No.<br>N° DE PIÈCE<br>N° DE PIEZA | DESCRIPTION<br>DÉSCRIPTION<br>DESCRIPCION | No. REQ.<br>N° REQ.<br>N° REQ. | REMARKS<br>REMARQUES<br>NOTAS               | No.<br>N°<br>N° | PART No.<br>N° DE PIECE<br>N° DE PIEZA | DESCRIPTION<br>DÉSCRIPTION<br>DESCRIPCION | No. REQ.<br>N° REQ.<br>N° REQ.                | REMARKS<br>REMARQUES<br>NOTAS |  |           |  |
| <b>ALTERNATORS</b>         |  |   |                                |   |                 |  |   |   |                               |  |           |  |
| 1                          | *57327                                 | ALTERNATOR - 12 VOLT - 105 AMP            | 1                              | 720 thru 780A                               | 38              | 52681                                  | FAN GUARD                                 | 2   | } 740 thru 780A               |  |           |  |
| 2                          | 42860                                  | ALTERNATOR - 24 VOLT - 45 AMP             | 1                              |   | 39              | 52693                                  | FAN - BLOWER                              | 1   |                               |  |           |  |
| 3                          | 54960                                  | ALTERNATOR - 12 VOLT - 100 AMP            | 1                              | 710/710A                                    | 40              | 52900                                  | SPACER - BLOWER                           | 1   |                               |  |           |  |
|                            |  |   |                                |   | 41              | 50A-0624                               | BOLT - BLOWER                             | 6   |                               |  |           |  |
|                            |  |   |                                |   | 42              | 52695                                  | FAN - SUCKER                              | 1   |                               |  |           |  |
|                            |  |   |                                |   | 43              | 52901                                  | SPACER - SUCKER                           | 1   |                               |  |           |  |
|                            |  |   |                                |   | 44              | 50A-0636                               | BOLT - SUCKER                             | 6   |                               |  |           |  |
| 4                          | 40195                                  | STARTER - 12 VOLT                         | 1                              | 710/710A                                    | 45              | 50A-0608                               | BOLT                                      | 2   |                               |  |           |  |
| 5                          | 40778                                  | STARTER - 24 VOLT                         | 1                              | 710/710A                                    | 46              | 14A-06                                 | LOCKWASHER                                | 16  |                               |  |           |  |
| 6                          | 46472                                  | STARTER - 12 VOLT                         | 1                              | 720 thru 730A                               | 47              | 30A-06                                 | NUT                                       | 10  |                               |  |           |  |
| 7                          | 48517                                  | STARTER - 24 VOLT                         | 1                              | 720 thru 730A                               | 48              |  | PULLEY                                    | REF.  |                               |  |           |  |
| 8                          | 40923                                  | STARTER - 12 VOLT                         | 1                              | 740 thru 780A                               |                 |  |   |   | ENGINE<br>MANUAL              |  |           |  |
| 9                          | 40924                                  | STARTER - 24 VOLT                         | 1                              | 740 thru 780A                               |                 |  |   |   |                               |  |           |  |
| <b>BELTS</b>               |  |   |                                |   |                 |  |   |   |                               |  |           |  |
| 10                         | 37109                                  | BELT - FAN                                | 1                              | 740 thru 780A                               |                 |  |   |   |                               |  |           |  |
| 11                         | 37110                                  | BELT - ALTERNATOR                         | 1                              | 740 thru 780A                               |                 |  |   |   |                               |  |           |  |
| 12                         | 37114                                  | BELT - FAN/ALTERNATOR                     | 1                              | 710/710A                                    |                 |  |   |   |                               |  |           |  |
| 13                         | 37395                                  | BELT - FAN/ALTERNATOR                     | 1                              | 720 thru 730A                               |                 |  |   |   |                               |  |           |  |
| <b>FANS &amp; ADAPTERS</b> |  |   |                                |   |                 |  |   |   |                               |  |           |  |
| 14                         | 52680                                  | FAN GUARD                                 | 2                              | } 710/710A                                  |                 |  |   |   |                               |  |           |  |
| 15                         | 52692                                  | FAN - BLOWER                              | 1                              |   |                 |  |   |   |                               |  |           |  |
| 16                         | 52896                                  | SPACER - BLOWER                           | 1                              |   |                 |  |   |   |                               |  |           |  |
| 17                         | 350A-08090                             | BOLT - BLOWER                             | 4                              |   |                 |  |   |   |                               |  |           |  |
| 18                         | 52694                                  | FAN SUCKER                                | 1                              |   |                 |  |   |   |                               |  |           |  |
| 19                         | 52897                                  | SPACER - SUCKER                           | 1                              |   |                 |  |   |   |                               |  |           |  |
| 20                         | 350A-08110                             | BOLT - SUCKER                             | 4                              |   |                 |  |   |   |                               |  |           |  |
| 21                         | 314A-08                                | LOCKWASHER                                | 4                              |   |                 |  |   |   |                               |  |           |  |
| 22                         | 50A-0608                               | BOLT                                      | 2                              |   |                 |  |   |   |                               |  |           |  |
| 23                         | 14A-06                                 | LOCKWASHER                                | 10                             |   |                 |  |   |   |                               |  |           |  |
| 24                         | 30A-06                                 | NUT                                       | 10                             |   |                 |  |   |   |                               |  |           |  |
| 25                         |  | PULLEY                                    | REF.                           | ENGINE<br>MANUAL                            |                 |  |   |   |                               |  |           |  |
| 26                         | 52680                                  | FAN GUARD                                 | 2                              | } 720 thru 730A                             |                 |  |   |   |                               |  |           |  |
| 27                         | 52692                                  | FAN - BLOWER                              | 1                              |   |                 |  |   |   |                               |  |           |  |
| 28                         | 52898                                  | SPACER - BLOWER                           | 1                              |   |                 |  |   |   |                               |  |           |  |
| 29                         | 350A-10090                             | BOLT - BLOWER                             | 4                              |   |                 |  |   |   |                               |  |           |  |
| 30                         | 52694                                  | FAN - SUCKER                              | 1                              |   |                 |  |   |   |                               |  |           |  |
| 31                         | 52899                                  | SPACER - SUCKER                           | 1                              |   |                 |  |   |   |                               |  |           |  |
| 32                         | 350A-10110                             | BOLT - SUCKER                             | 4                              |   |                 |  |   |   |                               |  |           |  |
| 33                         | 314A-10                                | LOCKWASHER                                | 4                              |   |                 |  |   |   |                               |  |           |  |
| 34                         | 50A-0608                               | BOLT                                      | 2                              |   |                 |  |   |   |                               |  |           |  |
| 35                         | 14A-06                                 | LOCKWASHER                                | 10                             |   |                 |  |   |   |                               |  |           |  |
| 36                         | 30A-06                                 | NUT                                       | 10                             |   |                 |  |   |   |                               |  |           |  |
| 37                         |  | PULLEY                                    | REF.                           | ENGINE<br>MANUAL                            |                 |  |   |   |                               |  |           |  |



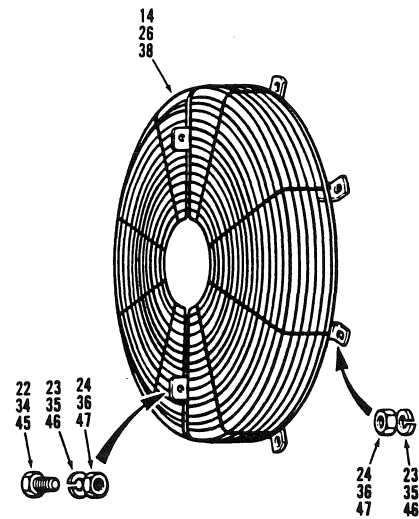
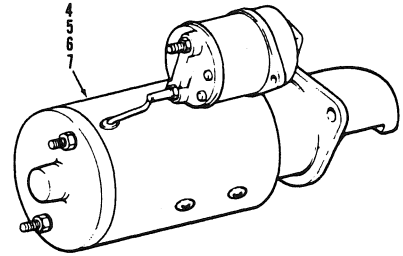
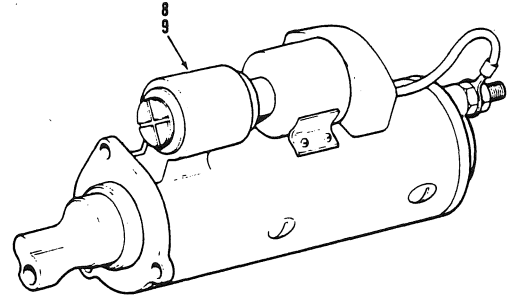
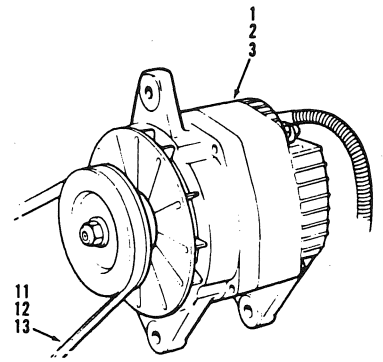
710/710A



720 thru 730A



740 thru 780A



EFFECTIVE SERIAL NUMBER(S)  
NUMERO(S) DE SÉRIE EFFECTIF(S)  
NUMERO(S) DE SERIE EFECTIVO(S)

Models 710 thru 730A  
21165 to 21478  
EXCEPT 21176

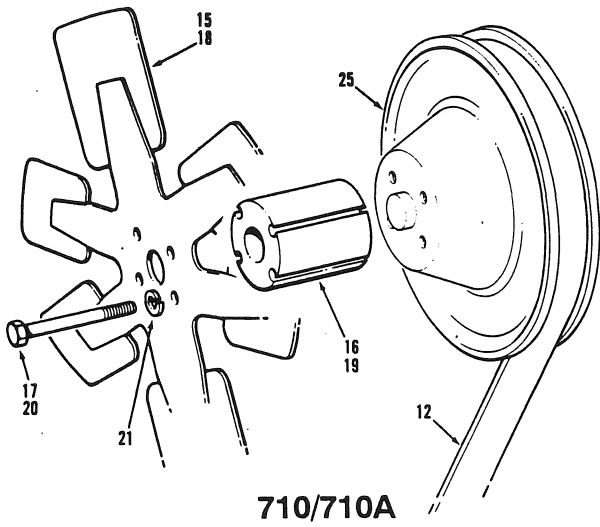
Models 740 thru 780A  
21166 to 21279

700 SERIES  
SERIE 700

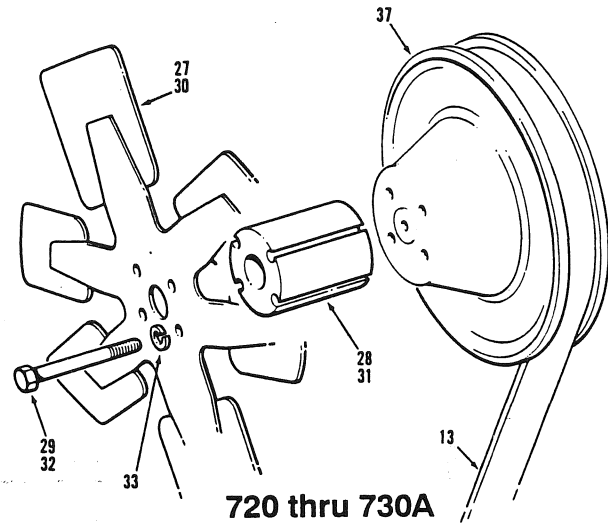
SECTION 10 PAGE 9  
SECCION 10 PAGINA 9

| SECTION<br>SECCION | 10                                     | PAGE<br>PAGINA                            | 10                             | ISSUE No.<br>N° D'ÉMISSION<br>N° DE EDICION | 4 REVISION A    | STARTERS, ALTERNATORS, BELTS, FANS & ADAPTERS |   |                                | JULY 1991                     |
|--------------------|--|---|--------------------------------|---|-----------------|---|---|--------------------------------|-------------------------------|
| No.<br>N°<br>N°    | PART No.<br>N° DE PIÉCE<br>N° DE PIEZA | DESCRIPTION<br>DÉSCRIPTION<br>DESCRIPCION | No. REQ.<br>N° REQ.<br>N° REQ. | REMARKS<br>REMARQUES<br>NOTAS               | No.<br>N°<br>N° | PART No.<br>N° DE PIECE<br>N° DE PIEZA        | DESCRIPTION<br>DÉSCRIPTION<br>DESCRIPCION | No. REQ.<br>N° REQ.<br>N° REQ. | REMARKS<br>REMARQUES<br>NOTAS |
|                    |  | <b>ALTERNATORS</b>                        |                                |   |                 |   |   |                                |                               |
| 1                  | *57327                                 | ALTERNATOR - 12 VOLT - 105 AMP            | 1                              | 720 thru 780A                               | 38              | 52681   | FAN GUARD                                 | 2                              | } 740 thru 780A               |
| 2                  | 42860                                  | ALTERNATOR - 24 VOLT - 45 AMP             | 1                              |   | 39              | 52693   | FAN - BLOWER                              | 1                              |                               |
| 3                  | 54960                                  | ALTERNATOR - 12 VOLT - 100 AMP            | 1                              | 710/710A                                    | 40              | 52900   | SPACER - BLOWER                           | 1                              |                               |
|                    |  |   |                                |   | 41              | 50A-0624                                      | BOLT - BLOWER                             | 6                              |                               |
|                    |  |   |                                |   | 42              | 52695   | FAN - SUCKER                              | 1                              |                               |
|                    |  |   |                                |   | 43              | 52901   | SPACER - SUCKER                           | 1                              |                               |
| 4                  | 57014                                  | STARTER - 12 VOLT                         | 1                              | 710/710A                                    | 44              | 50A-0636                                      | BOLT - SUCKER                             | 6                              |                               |
| 5                  | 40778                                  | STARTER - 24 VOLT                         | 1                              | 710/710A                                    | 45              | 50A-0608                                      | BOLT                                      | 2                              |                               |
| 6                  | 46472                                  | STARTER - 12 VOLT                         | 1                              | 720 thru 730A                               | 46              | 14A-06  | LOCKWASHER                                | 16                             |                               |
| 7                  | 48517                                  | STARTER - 24 VOLT                         | 1                              | 720 thru 730A                               | 47              | 30A-06  | NUT                                       | 10                             |                               |
| 8                  | 40923                                  | STARTER - 12 VOLT                         | 1                              | 740 thru 780A                               | 48              |   | PULLEY                                    | REF.                           | ENGINE<br>MANUAL              |
| 9                  | 40924                                  | STARTER - 24 VOLT                         | 1                              | 740 thru 780A                               |                 |   |   |                                |                               |
|                    |  | <b>BELTS</b>                              |                                |   |                 |   |   |                                |                               |
| 10                 | 37109                                  | BELT - FAN                                | 1                              | 740 thru 780A                               |                 |   |   |                                |                               |
| 11                 | 37110                                  | BELT - ALTERNATOR                         | 1                              | 740 thru 780A                               |                 |   |   |                                |                               |
| 12                 | 37114                                  | BELT - FAN/ALTERNATOR                     | 1                              | 710/710A                                    |                 |   |   |                                |                               |
| 13                 | 37395                                  | BELT - FAN/ALTERNATOR                     | 1                              | 720 thru 730A                               |                 |   |   |                                |                               |
|                    |  | <b>FANS &amp; ADAPTERS</b>                |                                |   |                 |   |   |                                |                               |
| 14                 | 52680                                  | FAN GUARD                                 | 2                              | } 710/710A                                  |                 |   |   |                                |                               |
| 15                 | 52692                                  | FAN - BLOWER                              | 1                              |   |                 |   |   |                                |                               |
| 16                 | 52896                                  | SPACER - BLOWER                           | 1                              |   |                 |   |   |                                |                               |
| 17                 | 350A-08090                             | BOLT - BLOWER                             | 4                              |   |                 |   |   |                                |                               |
| 18                 | 52694                                  | FAN SUCKER                                | 1                              |   |                 |   |   |                                |                               |
| 19                 | 52897                                  | SPACER - SUCKER                           | 1                              |   |                 |   |   |                                |                               |
| 20                 | 350A-08110                             | BOLT - SUCKER                             | 4                              |   |                 |   |   |                                |                               |
| 21                 | 314A-08                                | LOCKWASHER                                | 4                              |   |                 |   |   |                                |                               |
| 22                 | 50A-0608                               | BOLT                                      | 2                              |   |                 |   |   |                                |                               |
| 23                 | 14A-06                                 | LOCKWASHER                                | 10                             |   |                 |   |   |                                |                               |
| 24                 | 30A-06                                 | NUT                                       | 10                             |   |                 |   |   |                                |                               |
| 25                 |  | PULLEY                                    | REF.                           | ENGINE<br>MANUAL                            |                 |   |   |                                |                               |
| 26                 | 52680                                  | FAN GUARD                                 | 2                              | } 720 thru 730A                             |                 |   |   |                                |                               |
| 27                 | 52692                                  | FAN - BLOWER                              | 1                              |   |                 |   |   |                                |                               |
| 28                 | 52898                                  | SPACER - BLOWER                           | 1                              |   |                 |   |   |                                |                               |
| 29                 | 350A-10090                             | BOLT - BLOWER                             | 4                              |   |                 |   |   |                                |                               |
| 30                 | 52694                                  | FAN - SUCKER                              | 1                              |   |                 |   |   |                                |                               |
| 31                 | 52899                                  | SPACER - SUCKER                           | 1                              |   |                 |   |   |                                |                               |
| 32                 | 350A-10110                             | BOLT - SUCKER                             | 4                              |   |                 |   |   |                                |                               |
| 33                 | 314A-10                                | LOCKWASHER                                | 4                              |   |                 |   |   |                                |                               |
| 34                 | 50A-0608                               | BOLT                                      | 2                              |   |                 |   |   |                                |                               |
| 35                 | 14A-06                                 | LOCKWASHER                                | 10                             |   |                 |   |   |                                |                               |
| 36                 | 30A-06                                 | NUT                                       | 10                             |   |                 |   |   |                                |                               |
| 37                 |  | PULLEY                                    | REF.                           | ENGINE<br>MANUAL                            |                 |   |   |                                |                               |

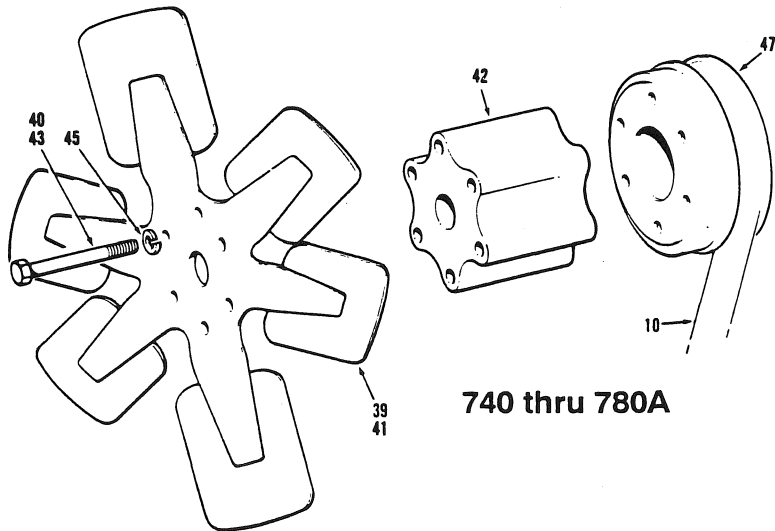




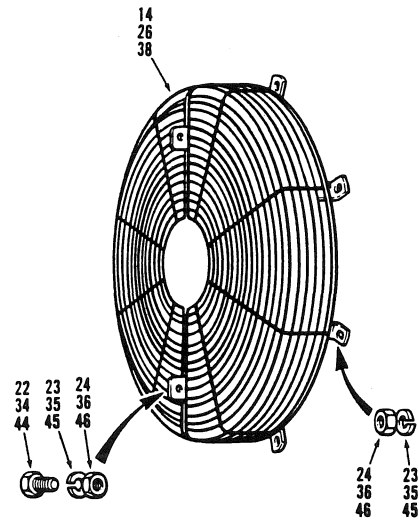
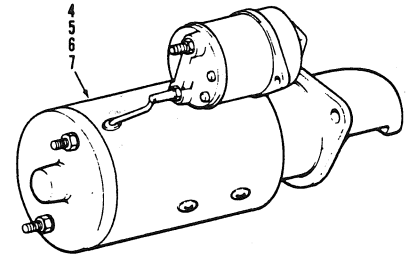
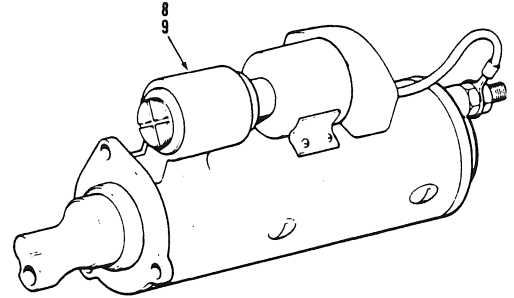
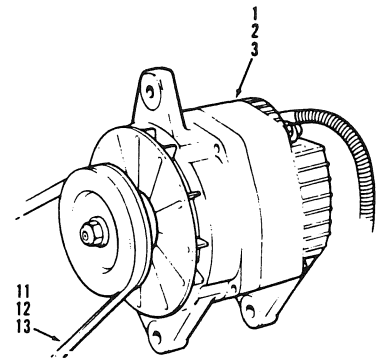
710/710A



720 thru 730A



740 thru 780A

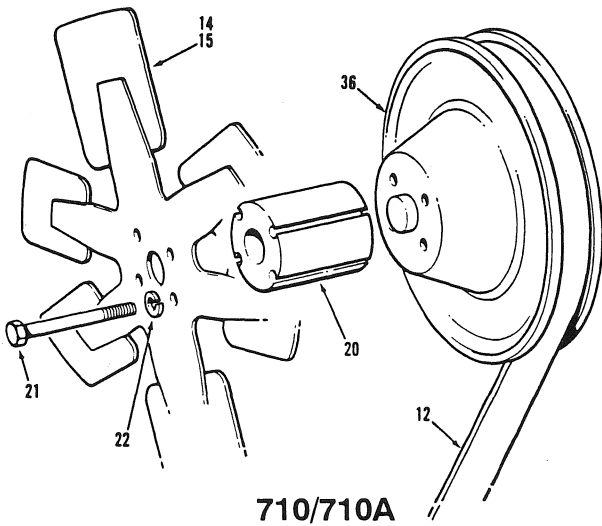


EFFECTIVE SERIAL NUMBER(S) Models 710 thru 730A  
 NUMERO(S) DE SÉRIE EFFECTIF(S) 21481 & UP  
 NUMERO(S) DE SERIE EFECTIVO(S) EXCEPT 21488  
 Models 740 thru 780A  
 21285 & UP

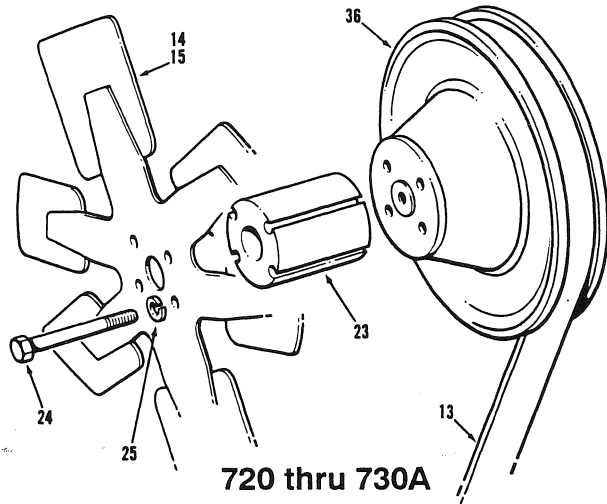
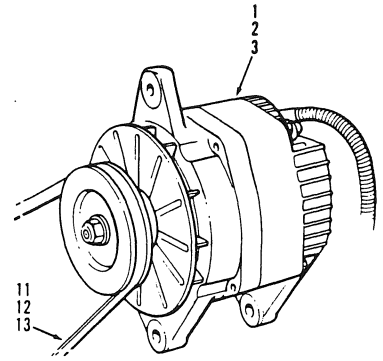
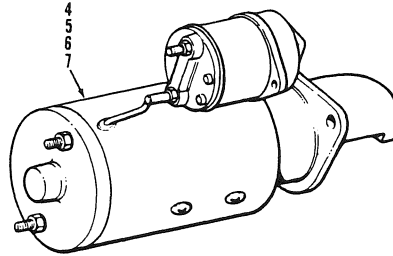
700 SERIES  
SERIE 700

SECTION 10 PAGE 9  
SECCION 10 PAGINA 9

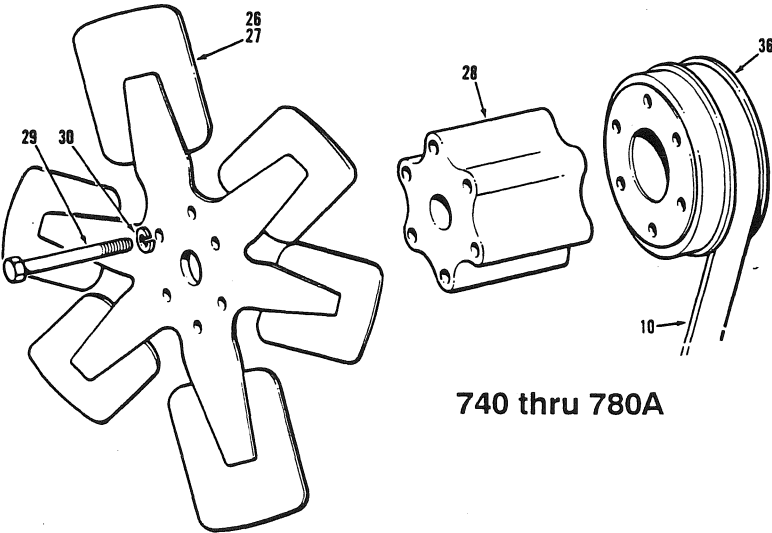
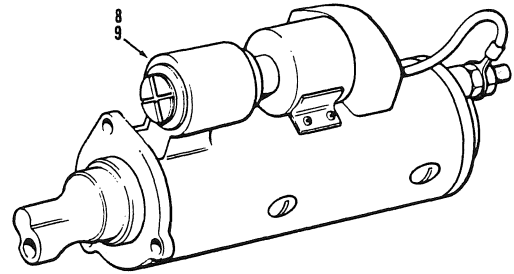
| SECTION<br>SECCION | 10                                     | PAGE<br>PAGINA                            | 10                             | ISSUE No.<br>N° D'ÉMISSION<br>N° DE EDICION | 3               | REVISION A                             | STARTERS, ALTERNATORS, BELTS, FANS & ADAPTERS | JULY 1991                      |                               |
|--------------------|--|---|--------------------------------|---|-----------------|--|---|--------------------------------|-------------------------------|
| No.<br>N°<br>N°    | PART No.<br>N° DE PIÈCE<br>N° DE PIEZA | DESCRIPTION<br>DESCRIPTION<br>DESCRIPCION | No. REQ.<br>N° REQ.<br>N° REQ. | REMARKS<br>REMARQUES<br>NOTAS               | No.<br>N°<br>N° | PART No.<br>N° DE PIÈCE<br>N° DE PIEZA | DESCRIPTION<br>DESCRIPTION<br>DESCRIPCION     | No. REQ.<br>N° REQ.<br>N° REQ. | REMARKS<br>REMARQUES<br>NOTAS |
|                    |  | <b>ALTERNATORS</b>                        |                                |   | 38              | 52681                                  | FAN GUARD                                     | 2                              |                               |
| 1                  | *57327                                 | ALTERNATOR - 12 VOLT - 105 AMP            | 1                              | 720 thru 780A                               | 39              | 57607                                  | FAN - BLOWER                                  | 1                              |                               |
| 2                  | 42860                                  | ALTERNATOR - 24 VOLT - 45 AMP             | 1                              |   | 40              | 50A-0624                               | BOLT - BLOWER                                 | 6                              |                               |
| 3                  | 54960                                  | ALTERNATOR - 12 VOLT - 100 AMP            | 1                              | 710/710A                                    | 41              | 57689                                  | FAN - SUCKER                                  | 1                              | 740 thru 780A                 |
|                    |  |   |                                |   | 42              | 52901                                  | SPACER - SUCKER                               | 1                              |                               |
|                    |  |   |                                |   | 43              | 50A-0636                               | BOLT - SUCKER                                 | 6                              |                               |
|                    |  |   |                                |   | 44              | 50A-0608                               | BOLT  | 2                              |                               |
|                    |  |   |                                |   | 45              | 14A-06                                 | LOCKWASHER                                    | 16                             |                               |
|                    |  |   |                                |   | 46              | 30A-06                                 | NUT   | 10                             |                               |
|                    |  |   |                                |   | 47              |  | PULLEY  | REF.                           | ENGINE MANUAL                 |
|                    |  | <b>STARTERS</b>                           |                                |   |                 |  |   |                                |                               |
| 4                  | 57014                                  | STARTER - 12 VOLT                         | 1                              | 710/710A                                    |                 |  |   |                                |                               |
| 5                  | 40778                                  | STARTER - 24 VOLT                         | 1                              | 710/710A                                    |                 |  |   |                                |                               |
| 6                  | 48472                                  | STARTER - 12 VOLT                         | 1                              | 720 thru 730A                               |                 |  |   |                                |                               |
| 7                  | 48517                                  | STARTER - 24 VOLT                         | 1                              | 720 thru 730A                               |                 |  |   |                                |                               |
| 8                  | 40923                                  | STARTER - 12 VOLT                         | 1                              | 740 thru 780A                               |                 |  |   |                                |                               |
| 9                  | 40924                                  | STARTER - 24 VOLT                         | 1                              | 740 thru 780A                               |                 |  |   |                                |                               |
|                    |  | <b>BELTS</b>                              |                                |   |                 |  |   |                                |                               |
| 10                 | 37109                                  | BELT - FAN                                | 1                              | 740 thru 780A                               |                 |  |   |                                |                               |
| 11                 | 37110                                  | BELT - ALTERNATOR                         | 1                              | 740 thru 780A                               |                 |  |   |                                |                               |
| 12                 | 37114                                  | BELT - FAN/ALTERNATOR                     | 1                              | 710/710A                                    |                 |  |   |                                |                               |
| 13                 | 37395                                  | BELT - FAN/ALTERNATOR                     | 1                              | 720 thru 730A                               |                 |  |   |                                |                               |
|                    |  | <b>FANS &amp; ADAPTERS</b>                |                                |   |                 |  |   |                                |                               |
| 14                 | 52680                                  | FAN GUARD                                 | 2                              |   |                 |  |   |                                |                               |
| 15                 | 57606                                  | FAN - BLOWER                              | 1                              |   |                 |  |   |                                |                               |
| 16                 | 52897                                  | SPACER - BLOWER                           | 1                              |   |                 |  |   |                                |                               |
| 17                 | 350A-08090                             | BOLT - BLOWER                             | 4                              |   |                 |  |   |                                |                               |
| 18                 | 52694                                  | FAN SUCKER                                | 1                              | 710/710A                                    |                 |  |   |                                |                               |
| 19                 | 52897                                  | SPACER - SUCKER                           | 1                              |   |                 |  |   |                                |                               |
| 20                 | 350A-08110                             | BOLT - SUCKER                             | 4                              |   |                 |  |   |                                |                               |
| 21                 | 314A-08                                | LOCKWASHER                                | 4                              |   |                 |  |   |                                |                               |
| 22                 | 50A-0608                               | BOLT                                      | 2                              |   |                 |  |   |                                |                               |
| 23                 | 14A-06                                 | LOCKWASHER                                | 10                             |   |                 |  |   |                                |                               |
| 24                 | 30A-06                                 | NUT                                       | 10                             |   |                 |  |   |                                |                               |
| 25                 |  | PULLEY                                    | REF.                           | ENGINE MANUAL                               |                 |  |   |                                |                               |
| 26                 | 52680                                  | FAN GUARD                                 | 2                              |   |                 |  |   |                                |                               |
| 27                 | 57606                                  | FAN - BLOWER                              | 1                              |   |                 |  |   |                                |                               |
| 28                 | 52899                                  | SPACER - BLOWER                           | 1                              |   |                 |  |   |                                |                               |
| 29                 | 350A-10090                             | BOLT - BLOWER                             | 4                              |   |                 |  |   |                                |                               |
| 30                 | 52694                                  | FAN - SUCKER                              | 1                              | 720 thru 730A                               |                 |  |   |                                |                               |
| 31                 | 52899                                  | SPACER - SUCKER                           | 1                              |   |                 |  |   |                                |                               |
| 32                 | 350A-10110                             | BOLT - SUCKER                             | 4                              |   |                 |  |   |                                |                               |
| 33                 | 314A-10                                | LOCKWASHER                                | 4                              |   |                 |  |   |                                |                               |
| 34                 | 50A-0608                               | BOLT                                      | 2                              |   |                 |  |   |                                |                               |
| 35                 | 14A-06                                 | LOCKWASHER                                | 10                             |   |                 |  |   |                                |                               |
| 36                 | 30A-06                                 | NUT                                       | 10                             |   |                 |  |   |                                |                               |
| 37                 |  | PULLEY                                    | REF.                           | ENGINE MANUAL                               |                 |  |   |                                |                               |



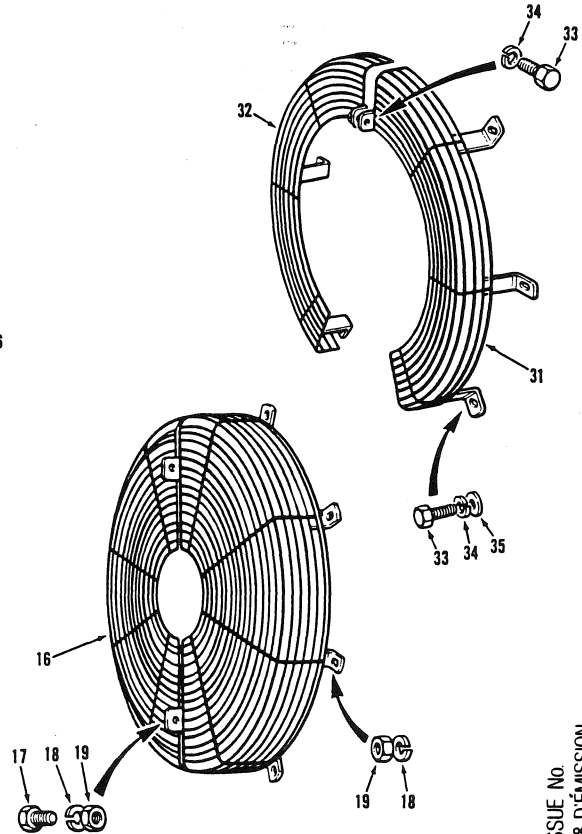
710/710A



720 thru 730A



740 thru 780A



NOVEMBER 1991

STARTERS, ALTERNATORS, BELTS, FANS & ADAPTERS

PARA LA LISTA DE LAS PIEZAS - VER AL VERSO

POUR LA LISTE DES PIÈCES - VOIR AU VERSO

FOR LIST OF PARTS - TURN THIS PAGE

6

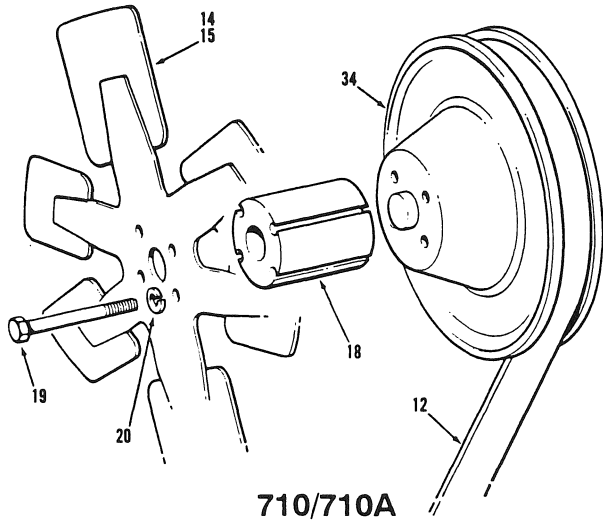
ISSUE No.  
N° D'ÉMISSION  
N° DE EDICION

EFFECTIVE SERIAL NUMBER(S) 21950, 21958, 21960 to 22000  
 NUMERO(S) DE SÉRIE EFFECTIF(S) Excluding 21961 & 21977  
 NUMERO(S) DE SERIE EFECTIVO(S)

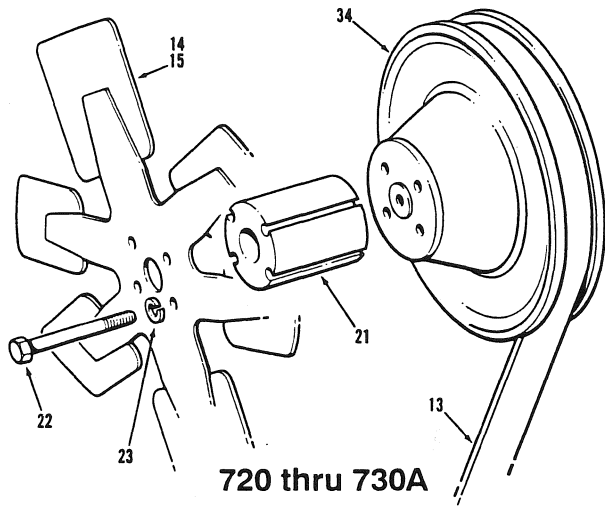
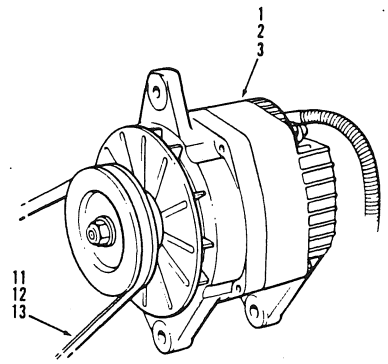
700 SERIES  
SÉRIE 700

SECTION 10 PAGE 9  
SECCION 10 PAGINA 9

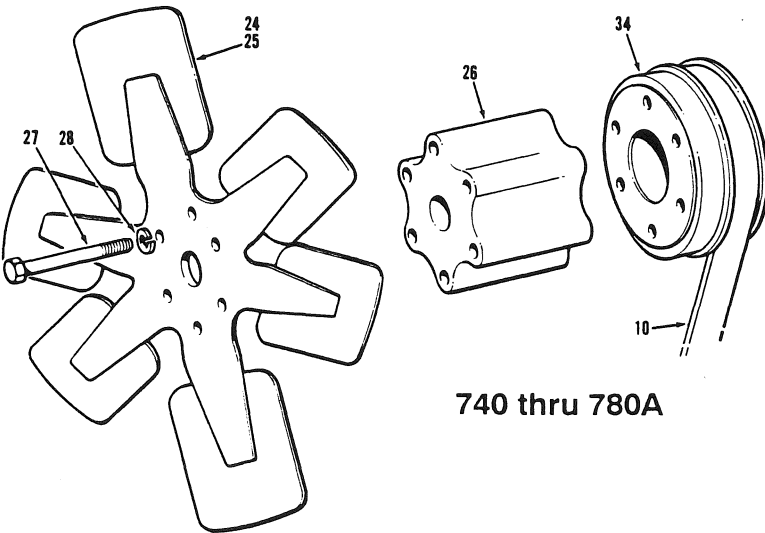
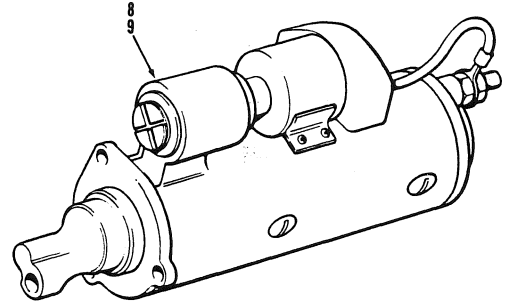
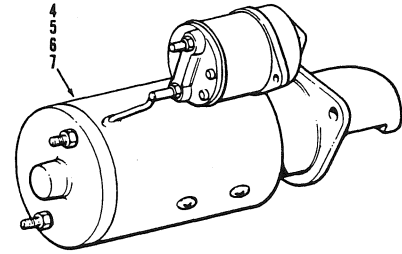
| SECTION<br>SECCION | 10                                     | PAGE<br>PAGINA                            | 10                             | ISSUE No.<br>N° D'ÉMISSION<br>N° DE EDICION | 6               | STARTERS, ALTERNATORS, BELTS FANS & ADAPTERS |   |                                | NOVEMBER 1991                 |
|--------------------|--|---|--------------------------------|---|-----------------|--|---|--------------------------------|-------------------------------|
| No.<br>N°<br>N°    | PART No.<br>N° DE PIÉCE<br>N° DE PIEZA | DESCRIPTION<br>DÉSCRIPTION<br>DESCRIPCION | No. REQ.<br>N° REQ.<br>N° REQ. | REMARKS<br>REMARQUES<br>NOTAS               | No.<br>N°<br>N° | PART No.<br>N° DE PIÉCE<br>N° DE PIEZA       | DESCRIPTION<br>DÉSCRIPTION<br>DESCRIPCION | No. REQ.<br>N° REQ.<br>N° REQ. | REMARKS<br>REMARQUES<br>NOTAS |
| <b>ALTERNATORS</b> |  |   |                                |   |                 |  |   |                                |                               |
| 1                  | 54960                                  | ALTERNATOR - 12 VOLT - 100 AMP            | 1                              | 710/710A                                    |                 |  |   |                                |                               |
| 2                  | 57327                                  | ALTERNATOR - 12 VOLT - 105 AMP            | 1                              | 720 thru 780A                               |                 |  |   |                                |                               |
| 3                  | 42860                                  | ALTERNATOR - 24 VOLT - 45 AMP             | 1                              |   |                 |  |   |                                |                               |
| <b>STARTERS</b>    |  |   |                                |   |                 |  |   |                                |                               |
| 4                  | 57014                                  | STARTER - 12 VOLT                         | 1                              | 710/710A                                    |                 |  |   |                                |                               |
| 5                  | 40778                                  | STARTER - 24 VOLT                         | 1                              | 710/710A                                    |                 |  |   |                                |                               |
| 6                  | 46472                                  | STARTER - 12 VOLT                         | 1                              | 720 thru 730A                               |                 |  |   |                                |                               |
| 7                  | 48517                                  | STARTER - 24 VOLT                         | 1                              | 720 thru 730A                               |                 |  |   |                                |                               |
| 8                  | 40923                                  | STARTER - 12 VOLT                         | 1                              | 740 thru 780A                               |                 |  |   |                                |                               |
| 9                  | 40924                                  | STARTER - 24 VOLT                         | 1                              | 740 thru 780A                               |                 |  |   |                                |                               |
| <b>BELTS</b>       |  |   |                                |   |                 |  |   |                                |                               |
| 10                 | 37109                                  | BELT - FAN                                | 1                              | 740 thru 780A                               |                 |  |   |                                |                               |
| 11                 | 37110                                  | BELT - ALTERNATOR                         | 1                              | 740 thru 780A                               |                 |  |   |                                |                               |
| 12                 | 37114                                  | BELT - FAN/ALTERNATOR                     | 1                              | 710/710A                                    |                 |  |   |                                |                               |
| 13                 | 37395                                  | BELT - FAN/ALTERNATOR                     | 1                              | 720 thru 730A                               |                 |  |   |                                |                               |
| 14                 | 52694                                  | FAN - SUCKER                              | 1                              | 710 thru 730A                               |                 |  |   |                                |                               |
| 15                 | 57606                                  | FAN - BLOWER                              | 1                              |   |                 |  |   |                                |                               |
| 16                 | 52680                                  | FAN GUARD                                 | 1                              |   |                 |  |   |                                |                               |
| 17                 | 50A-0608                               | BOLT                                      | 2                              |   |                 |  |   |                                |                               |
| 18                 | 14A-06                                 | LOCKWASHER                                | 10                             |   |                 |  |   |                                |                               |
| 19                 | 30A-06                                 | NUT                                       | 10                             |   |                 |  |   |                                |                               |
| 20                 | 52897                                  | SPACER                                    | 1                              | 710/710A                                    |                 |  |   |                                |                               |
| 21                 | 350A-08110                             | BOLT                                      | 4                              |   |                 |  |   |                                |                               |
| 22                 | 314A-08                                | LOCKWASHER                                | 4                              |   |                 |  |   |                                |                               |
| 23                 | 52899                                  | SPACER                                    | 1                              | 720 thru 730A                               |                 |  |   |                                |                               |
| 24                 | 350A-10110                             | BOLT                                      | 4                              |   |                 |  |   |                                |                               |
| 25                 | 314A-10                                | LOCKWASHER                                | 4                              |   |                 |  |   |                                |                               |
| 26                 | 57607                                  | FAN - BLOWER                              | 1                              | 740 thru 780A                               |                 |  |   |                                |                               |
| 27                 | 57689                                  | FAN - SUCKER                              | 1                              |   |                 |  |   |                                |                               |
| 28                 | 52901                                  | SPACER                                    | 1                              |   |                 |  |   |                                |                               |
| 29                 | 50A-0636                               | BOLT                                      | 6                              |   |                 |  |   |                                |                               |
| 30                 | 14A-06                                 | LOCKWASHER                                | 6                              |   |                 |  |   |                                |                               |
| 31                 | *57693                                 | FANGUARD - L.H.                           | 1                              |   |                 |  |   |                                |                               |
| 32                 | *57694                                 | FANGUARD - R.H.                           | 1                              |   |                 |  |   |                                |                               |
| 33                 | *50A-0508                              | BOLT                                      | 7                              |   |                 |  |   |                                |                               |
| 34                 | *14A-05                                | LOCKWASHER                                | 7                              |   |                 |  |   |                                |                               |
| 35                 | *14C-05                                | FLATWASHER                                | 6                              |   |                 |  |   |                                |                               |
| 36                 |  | PULLEY                                    | REF.                           | ENGINE<br>MANUAL                            |                 |  |   |                                |                               |



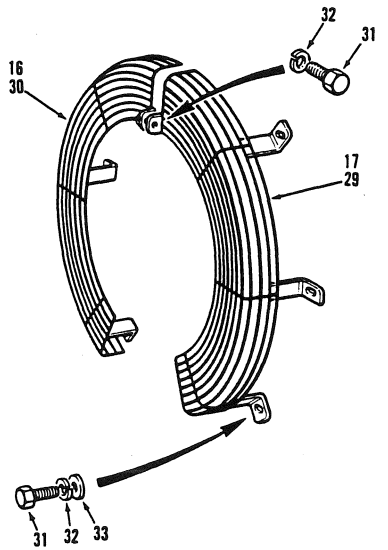
710/710A



720 thru 730A



740 thru 780A

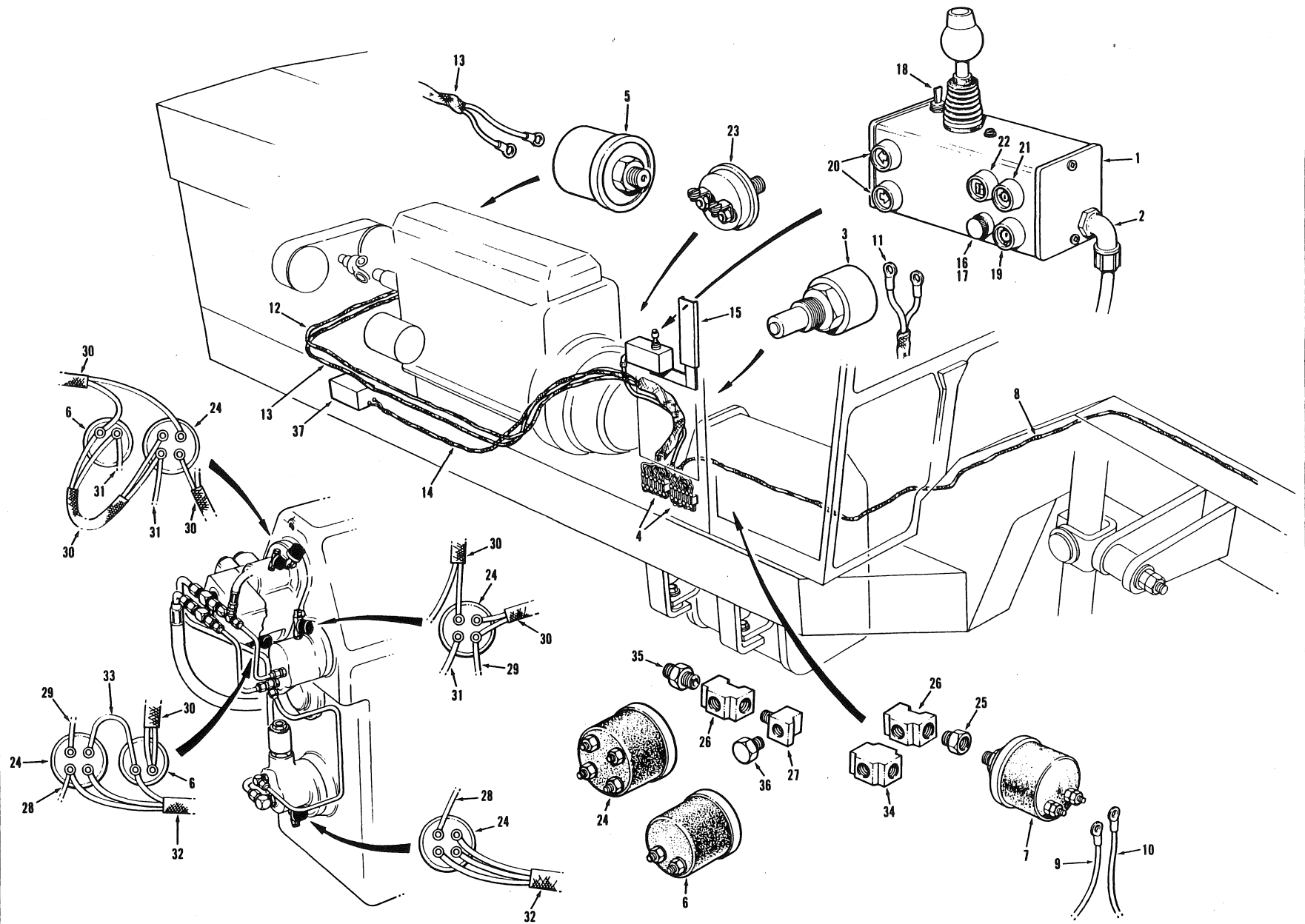


EFFECTIVE SERIAL NUMBER(S) 21961, 22001 & UP  
 NUMERO(S) DE SÉRIE EFFECTIF(S)  
 NUMERO(S) DE SÉRIE EFECTIVO(S)

700 SERIES  
 SERIE 700

SECTION 10 PAGE 9  
 SECCION 10 PAGINA 9

| SECTION<br>SECCION | 10                                     | PAGE<br>PAGINA                            | 10                             | ISSUE No.<br>N° D'ÉMISSION<br>N° DE EDICION | 7               | STARTERS, ALTERNATORS, BELTS FANS & ADAPTERS |   |                                | NOVEMBER 1991                 |
|--------------------|--|---|--------------------------------|---|-----------------|--|---|--------------------------------|-------------------------------|
| No.<br>N°<br>N°    | PART No.<br>N° DE PIÈCE<br>N° DE PIEZA | DESCRIPTION<br>DÉSCRIPTION<br>DESCRIPCION | No. REQ.<br>N° REQ.<br>N° REQ. | REMARKS<br>REMARQUES<br>NOTAS               | No.<br>N°<br>N° | PART No.<br>N° DE PIECE<br>N° DE PIEZA       | DESCRIPTION<br>DÉSCRIPTION<br>DESCRIPCION | No. REQ.<br>N° REQ.<br>N° REQ. | REMARKS<br>REMARQUES<br>NOTAS |
|                    |  | <b>ALTERNATORS</b>                        |                                |   |                 |  |   |                                |                               |
| 1                  | 54960                                  | ALTERNATOR - 12 VOLT - 100 AMP            | 1                              | 710/710A                                    |                 |  |   |                                |                               |
| 2                  | 57327                                  | ALTERNATOR - 12 VOLT - 105 AMP            | 1                              | 720 thru 780A                               |                 |  |   |                                |                               |
| 3                  | 42860                                  | ALTERNATOR - 24 VOLT - 45 AMP             | 1                              |   |                 |  |   |                                |                               |
|                    |  | <b>STARTERS</b>                           |                                |   |                 |  |   |                                |                               |
| 4                  | 57014                                  | STARTER - 12 VOLT                         | 1                              | 710/710A                                    |                 |  |   |                                |                               |
| 5                  | 40778                                  | STARTER - 24 VOLT                         | 1                              | 710/710A                                    |                 |  |   |                                |                               |
| 6                  | 48472                                  | STARTER - 12 VOLT                         | 1                              | 720 thru 730A                               |                 |  |   |                                |                               |
| 7                  | 48517                                  | STARTER - 24 VOLT                         | 1                              | 720 thru 730A                               |                 |  |   |                                |                               |
| 8                  | 40923                                  | STARTER - 12 VOLT                         | 1                              | 740 thru 780A                               |                 |  |   |                                |                               |
| 9                  | 40924                                  | STARTER - 24 VOLT                         | 1                              | 740 thru 780A                               |                 |  |   |                                |                               |
|                    |  | <b>BELTS</b>                              |                                |   |                 |  |   |                                |                               |
| 10                 | 37109                                  | BELT - FAN                                | 1                              | 740 thru 780A                               |                 |  |   |                                |                               |
| 11                 | 37110                                  | BELT - ALTERNATOR                         | 1                              | 740 thru 780A                               |                 |  |   |                                |                               |
| 12                 | 37114                                  | BELT - FAN/ALTERNATOR                     | 1                              | 710/710A                                    |                 |  |   |                                |                               |
| 13                 | 37395                                  | BELT - FAN/ALTERNATOR                     | 1                              | 720 thru 730A                               |                 |  |   |                                |                               |
| 14                 | 52694                                  | FAN - SUCKER                              | 1                              | 710 thru 730A                               |                 |  |   |                                |                               |
| 15                 | 57608                                  | FAN - BLOWER                              | 1                              |   |                 |  |   |                                |                               |
| 16                 | *57632                                 | FAN GUARD - R.H.                          | 1                              |   |                 |  |   |                                |                               |
| 17                 | *57633                                 | FAN GUARD - L.H.                          | 1                              |   |                 |  |   |                                |                               |
| 18                 | 50A-0608                               | BOLT                                      | 1                              | 710/710A                                    |                 |  |   |                                |                               |
| 19                 | 14A-06                                 | LOCKWASHER                                | 4                              |   |                 |  |   |                                |                               |
| 20                 | 30A-06                                 | NUT                                       | 4                              |   |                 |  |   |                                |                               |
| 21                 | 52897                                  | SPACER                                    | 1                              | 720 thru 730A                               |                 |  |   |                                |                               |
| 22                 | 350A-08110                             | BOLT                                      | 4                              |   |                 |  |   |                                |                               |
| 23                 | 314A-08                                | LOCKWASHER                                | 4                              |   |                 |  |   |                                |                               |
| 24                 | 57607                                  | FAN - BLOWER                              | 1                              | 740 thru 780A                               |                 |  |   |                                |                               |
| 25                 | 57689                                  | FAN - SUCKER                              | 1                              |   |                 |  |   |                                |                               |
| 26                 | 52901                                  | SPACER                                    | 1                              |   |                 |  |   |                                |                               |
| 27                 | 50A-0636                               | BOLT                                      | 6                              |   |                 |  |   |                                |                               |
| 28                 | 14A-06                                 | LOCKWASHER                                | 6                              |   |                 |  |   |                                |                               |
| 29                 | 57693                                  | FANGUARD - L.H.                           | 1                              |   |                 |  |   |                                |                               |
| 30                 | 57694                                  | FANGUARD - R.H.                           | 1                              |   |                 |  |   |                                |                               |
| 31                 | 50A-0508                               | BOLT                                      | 7                              |   |                 |  |   |                                |                               |
| 32                 | 14A-05                                 | LOCKWASHER                                | 7                              |   |                 |  |   |                                |                               |
| 33                 | 14C-05                                 | FLATWASHER                                | 6                              |   |                 |  |   |                                |                               |
| 34                 |  | PULLEY                                    | REF.                           | ENGINE<br>MANUAL                            |                 |  |   |                                |                               |



ISSUE No.

Nº D'ÉMISSION

Nº DE EDICIÓN

1 REVISION A

CONTROL BOX, WIRING HARNESES & SENDING UNITS - ALL WHEEL DRIVE

JUNE 1986

FOR LIST OF PARTS - TURN THIS PAGE

POUR LA LISTE DES PIÈCES - VOIR AU VERSO

PARA LA LISTA DE LAS PIEZAS - VER AL VERSO

EFFECTIVE SERIAL NUMBERS) 16224, 16245 & UP TO 16783  
 NUMEROS) DE SERIE EFFECTIFS)  
 NUMEROS) DE SERIE EFFECTIVOS)  
 U.S. 2021-2 & UP

700 SERIES  
 SERIE 700

SECTION 10 PAGE 11  
 SECCION 10 PAGINA 11

| SECTION<br>SECCION 10 |  | PAGE<br>PAGINA 12                                  | ISSUE No.<br>N° D'ÉMISSION<br>N° DE EDICION 1 REV. A | CONTROL BOX, WIRING HARNESES & SENDING UNITS - ALL WHEEL DRIVE |                 |  | JUNE 1986                                 |                               |                               |
|-----------------------|--|--|--|--|-----------------|--|---|-------------------------------|-------------------------------|
| No.<br>N°<br>N°       | PART No.<br>N° DE PIÈCE<br>N° DE PIEZA | DESCRIPTION<br>DESCRIPTION<br>DESCRIPCION          | No. REQ<br>N° REQ.<br>N° REQ.                        | REMARKS<br>REMARQUES<br>NOTAS                                  | No.<br>N°<br>N° | PART No.<br>N° DE PIECE<br>N° DE PIEZA | DESCRIPTION<br>DESCRIPTION<br>DESCRIPCION | No. REQ<br>N° REQ.<br>N° REQ. | REMARKS<br>REMARQUES<br>NOTAS |
| 1                     | 30748                                  | CONTROL BOX ASSY. - INCLUDES ITEMS<br>2 & 16 TO 22 | 1  |  |                 |  |   |                               |                               |
| 2                     | 30749                                  | COMPRESSION FITTING                                | 1  |  |                 |  |   |                               |                               |
| 3                     | 30751                                  | PRESSURE SWITCH                                    | 5  |  |                 |  |   |                               |                               |
| 4                     | 30755                                  | TERMINAL STRIP                                     | 2  |  |                 |  |   |                               |                               |
| 5                     | 30756                                  | SWITCH - CHARGE PRESSURE                           | 1  |  |                 |  |   |                               |                               |
| 6                     | 30757                                  | SWITCH - TEMPERATURE                               | 1  |  |                 |  |   |                               |                               |
| 7                     | 30811                                  | SWITCH - CLUTCH & BRAKE PRESSURE                   | 2 or 3   |  |                 |  |   |                               |                               |
| 8                     | 30812                                  | HARNESS - MOTOR CONTROL VALVE                      | 1  |  |                 |  |   |                               |                               |
| 9                     | 30814                                  | HARNESS - BRAKE PRESSURE                           | 2  |  |                 |  |   |                               |                               |
| 10                    | 30816                                  | HARNESS - CLUTCH PRESSURE                          | 2  |  |                 |  |   |                               |                               |
| 11                    | 30817                                  | HARNESS - RESERVOIR                                | 1  |  |                 |  |   |                               |                               |
| 12                    | 30818                                  | HARNESS - FILTER BY-PASS                           | 1  |  |                 |  |   |                               |                               |
| 13                    | 30819                                  | HARNESS - CHARGE PRESSURE                          | 1  |  |                 |  |   |                               |                               |
| 14                    | 30820                                  | HARNESS - PUMP CONTROL VALVE                       | 1  |  |                 |  |   |                               |                               |
| 15                    | 30824                                  | BRACKET  | 1  |  |                 |  |   |                               |                               |
| 16                    | 30825                                  | HOLDER   | 1  |  |                 |  |   |                               |                               |
| 17                    | 30826                                  | FUSE - 3 AMP.                                      | 1  |  |                 |  |   |                               |                               |
| 18                    | 30827                                  | SWITCH   | 1  |  |                 |  |   |                               |                               |
| 19                    | 30828                                  | LIGHT  | 1  |  |                 |  |   |                               |                               |
| 20                    | 30829                                  | LIGHT  | 2  |  |                 |  |   |                               |                               |
| 21                    | 30830                                  | LIGHT  | 1  |  |                 |  |   |                               |                               |
| 22                    | 30831                                  | LIGHT  | 1  |  |                 |  |   |                               |                               |
| 23                    | 35549                                  | SENDER   | 1  |  |                 |  |   |                               |                               |
| 24                    | 37115                                  | PRESSURE SWITCH                                    | 4  |  |                 |  |   |                               |                               |
| 25                    | 41062                                  | ADAPTER  | 2 or 3   |  |                 |  |   |                               |                               |
| 26                    | 41063                                  | TEE  | 7  |  |                 |  |   |                               |                               |
| 27                    | 41064                                  | ELBOW  | 1  |  |                 |  |   |                               |                               |
| 28                    | 41065                                  | HARNESS  | 1  |  |                 |  |   |                               |                               |
| 29                    | 41066                                  | HARNESS  | 1  |  |                 |  |   |                               |                               |
| 30                    | 41067                                  | HARNESS  | 3  |  |                 |  |   |                               |                               |
| 31                    | 41068                                  | HARNESS  | 1  |  |                 |  |   |                               |                               |
| 32                    | 41069                                  | HARNESS  | 1  |  |                 |  |   |                               |                               |
| 33                    | 41070                                  | HARNESS  | 1  |  |                 |  |   |                               |                               |
| 34                    | 103V-02                                | CROSS  | 1 or 2   |  |                 |  |   |                               |                               |
| 35                    | 115A-02                                | NIPPLE   | 6  |  |                 |  |   |                               |                               |
| 36                    | 115C-02                                | PLUG   | 6  |  |                 |  |   |                               |                               |
| 37                    |  | PUMP CONTROL VALVE                                 | REF.   | SECTION 4<br>PAGE 29   |                 |  |   |                               |                               |

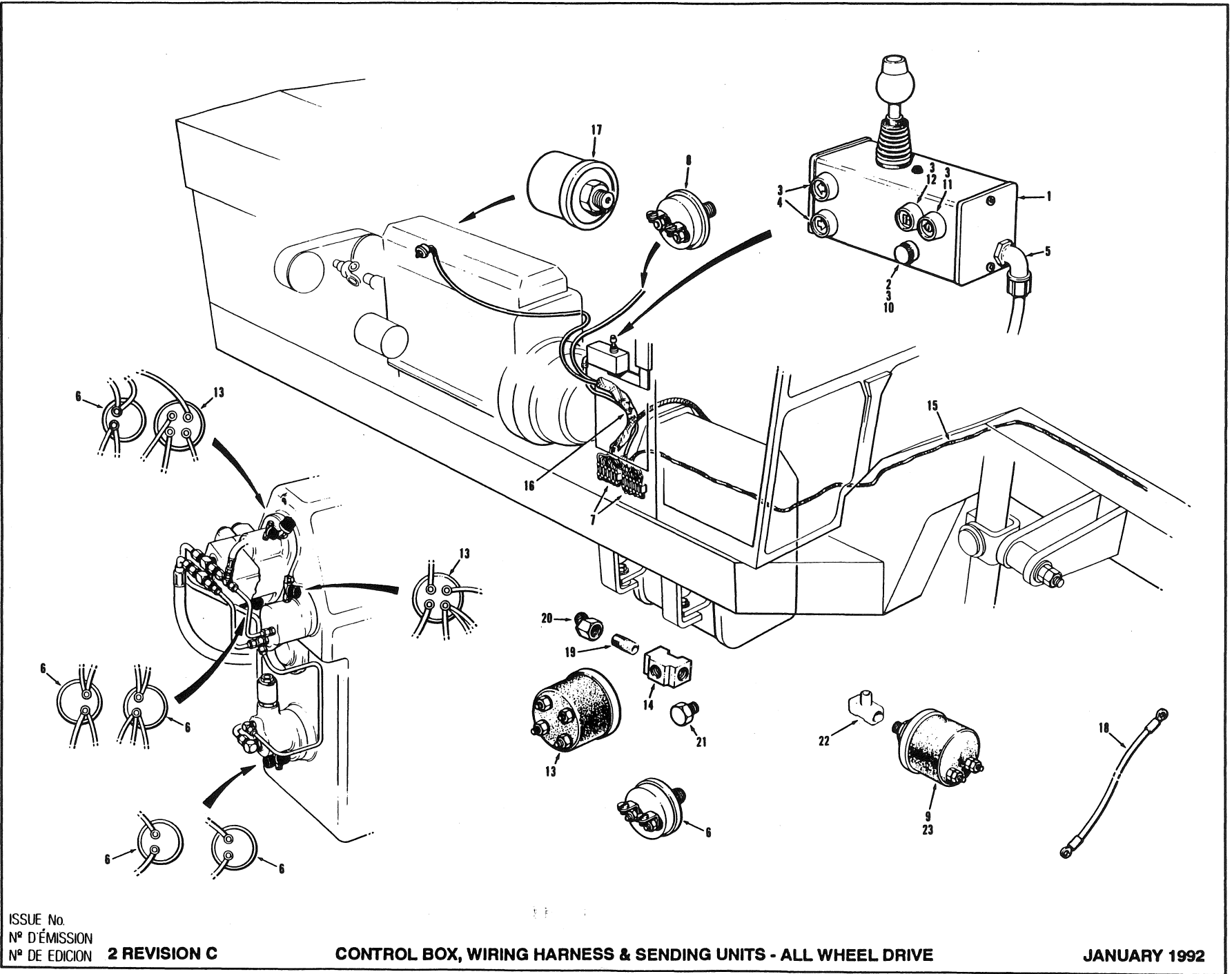


EFFECTIVE SERIAL NUMBERS)  
NUMEROSI DE SÉRIE EFFECTIFS)  
NUMEROSI DE SERIE EFFECTIVOS)

16860 to 21584

700 SERIES  
SERIE 700

SECTION  
SECTION 1  
PAGE  
PAGINA 11



ISSUE No.  
N° D'ÉMISSION  
N° DE EDICION

2 REVISION C

CONTROL BOX, WIRING HARNESS & SENDING UNITS - ALL WHEEL DRIVE

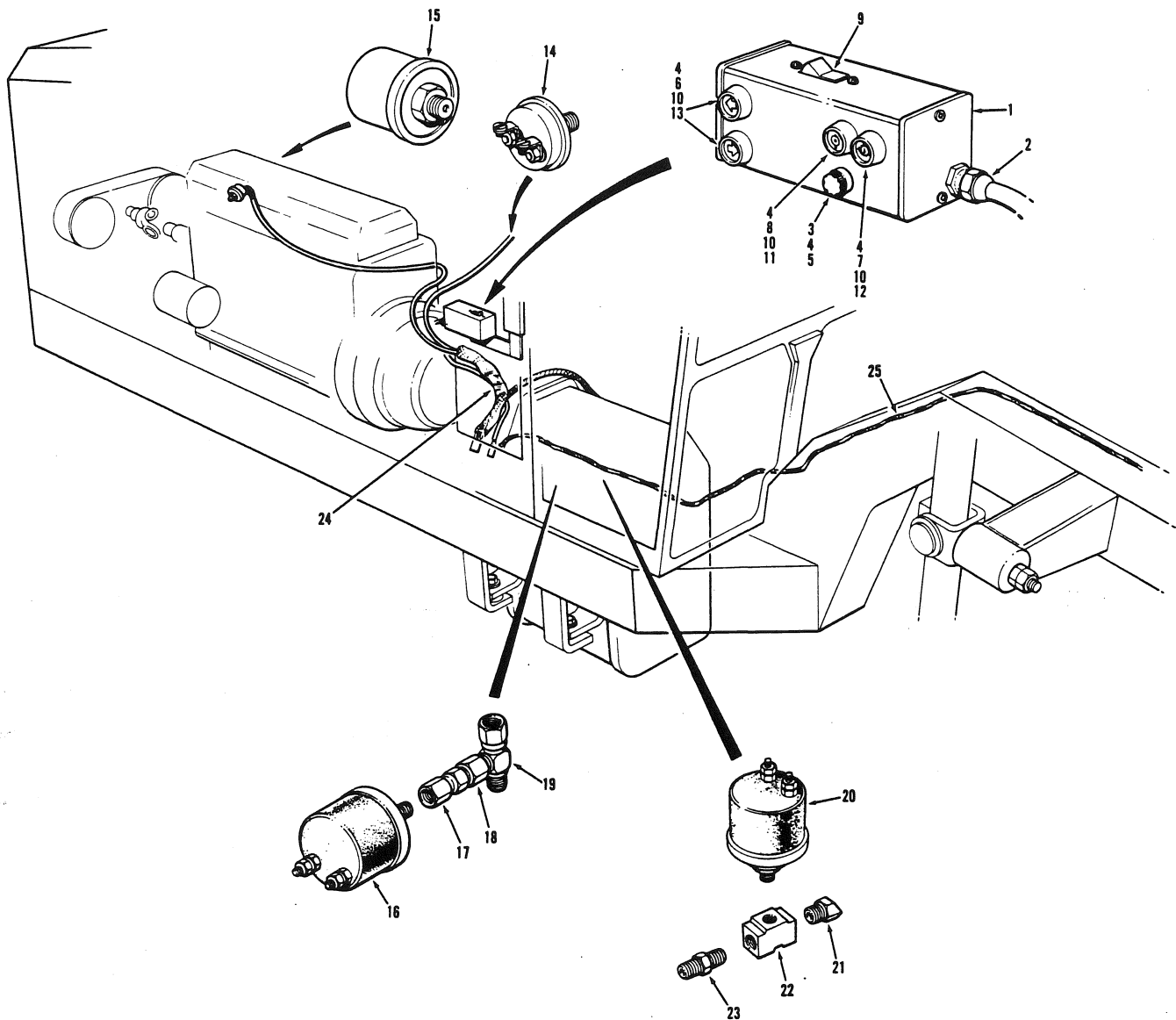
JANUARY 1992

FOR LIST OF PARTS - TURN THIS PAGE

POUR LA LISTE DES PIÈCES - VOIR AU VERSO

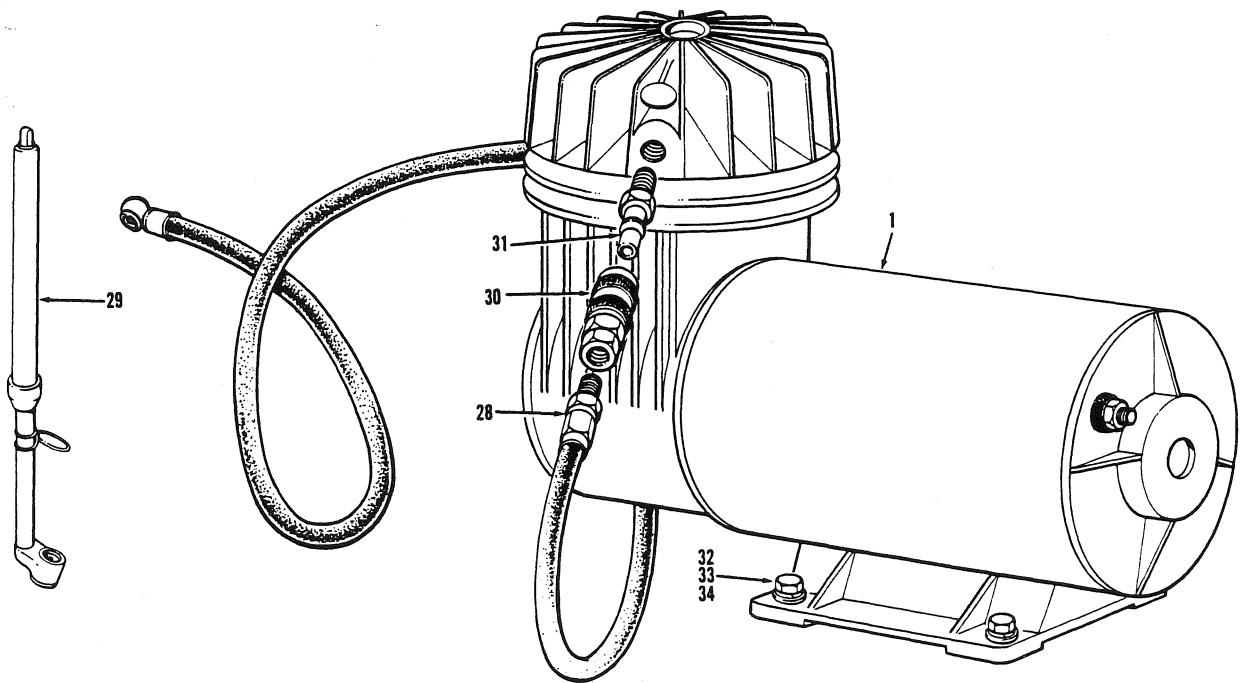
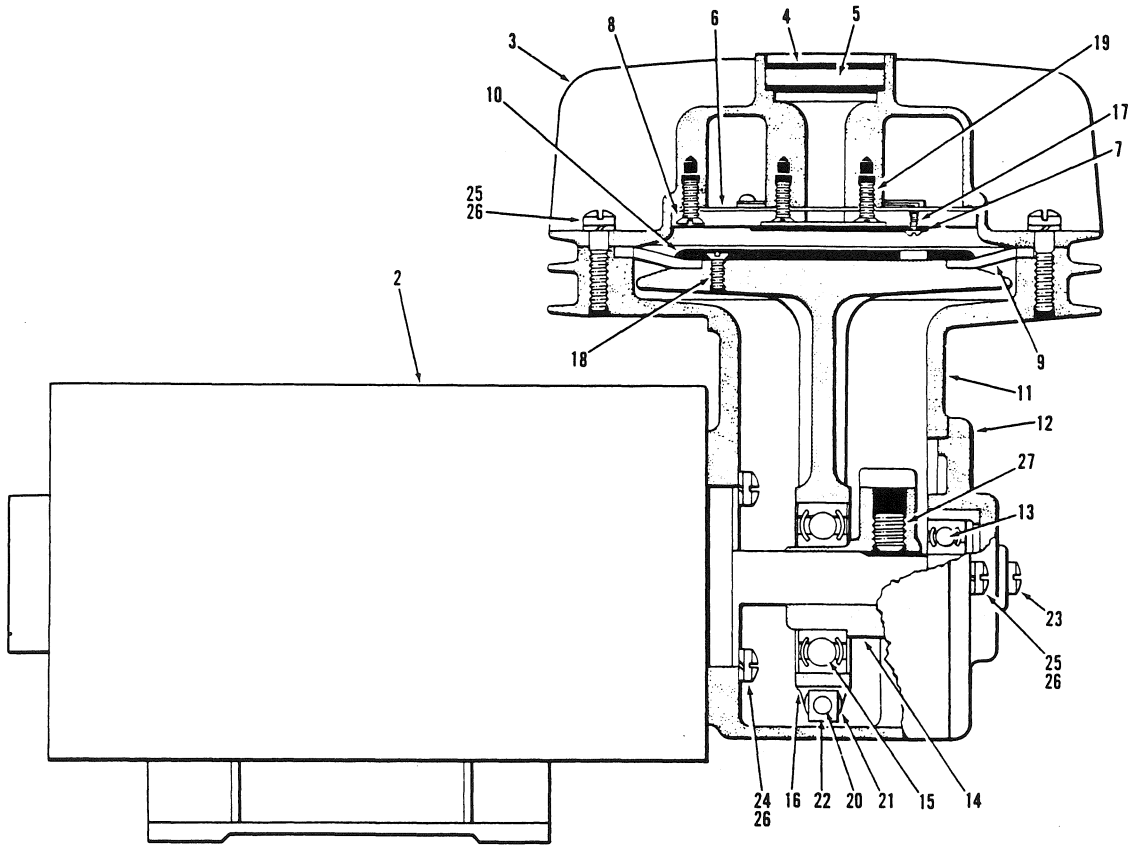
PARA LA LISTA DE LAS PIEZAS - VER AL VERSO

| SECTION<br>SECCION |  | PAGE<br>PAGINA                                   |                               | ISSUE No.<br>N° D'ÉMISSION<br>N° DE EDICION |                 | 2 REVISION C                           |   | CONTROL BOX, WIRING HARNESS & SENDING UNITS - ALL WHEEL DRIVE |                               | JANUARY 1992 |  |
|--------------------|--|--|-------------------------------|---|-----------------|--|---|---|-------------------------------|--------------|--|
| No.<br>N°<br>N°    | PART No.<br>N° DE PIÈCE<br>N° DE PIEZA | DESCRIPTION<br>DESCRIPTION<br>DESCRIPCION        | No. REQ<br>N° REQ.<br>N° REQ. | REMARKS<br>REMARQUES<br>NOTAS               | No.<br>N°<br>N° | PART No.<br>N° DE PIÈCE<br>N° DE PIEZA | DESCRIPTION<br>DESCRIPTION<br>DESCRIPCION | No. REQ<br>N° REQ.<br>N° REQ.                                 | REMARKS<br>REMARQUES<br>NOTAS |              |  |
| 1                  | 42199                                  | CONTROL BOX ASSEMBLY - INCLUDES ITEMS 2, 7 TO 11 | 1                             |   |                 |  |   |   |                               |              |  |
| 2                  | 16125                                  | HOLDER   | 1                             |   |                 |  |   |   |                               |              |  |
| 3                  | 16790                                  | BULB   | 4                             |   |                 |  |   |   |                               |              |  |
| 4                  | 28811                                  | LIGHT - C/W ITEM 3                               | 1                             |   |                 |  |   |   |                               |              |  |
| 5                  | 30749                                  | COMPRESSION FITTING                              | 1                             |   |                 |  |   |   |                               |              |  |
| 6                  | 30751                                  | SWITCH - PRESSURE                                | 5                             |   |                 |  |   |   |                               |              |  |
| 7                  | 30755                                  | TERMINAL STRIP                                   | 2                             |   |                 |  |   |   |                               |              |  |
| 8                  | 30757                                  | SWITCH - TEMPERATURE                             | 1                             |   |                 |  |   |   |                               |              |  |
| 9                  | 46413                                  | SWITCH - CLUTCH                                  | 1                             | Oil Disc<br>Brakes                          |                 |  |   |   |                               |              |  |
|                    |  |  | 2                             | Drum<br>Brakes                              |                 |  |   |   |                               |              |  |
| 10                 | 30826                                  | FUSE - 3 AMP.                                    | 1                             |   |                 |  |   |   |                               |              |  |
| 11                 | 30830                                  | LIGHT - C/W ITEM 3                               | 1                             |   |                 |  |   |   |                               |              |  |
| 12                 | 30831                                  | LIGHT - C/W ITEM 3                               | 1                             |   |                 |  |   |   |                               |              |  |
| 13                 | 37115                                  | SWITCH - PRESSURE                                | 2                             |   |                 |  |   |   |                               |              |  |
| 14                 | 115M-02                                | TEE  | 10                            |   |                 |  |   |   |                               |              |  |
| 15                 | 42200                                  | HARNESS - FRONT CONTROLS                         | 1                             |   |                 |  |   |   |                               |              |  |
| 16                 | 42201                                  | HARNESS - TRANSMISSION                           | 1                             |   |                 |  |   |   |                               |              |  |
| 17                 | 48410                                  | SWITCH - CHARGE PRESSURE                         | 1                             |   |                 |  |   |   |                               |              |  |
| 18                 | 43710                                  | WIRE - JUMPER                                    | 1                             | Drum<br>Brakes                              |                 |  |   |   |                               |              |  |
| 19                 | 103K-02                                | NIPPLE   | 3                             |   |                 |  |   |   |                               |              |  |
| 20                 | 103N-02                                | ELBOW  | 7                             |   |                 |  |   |   |                               |              |  |
| 21                 | 115C-02                                | PLUG   | 7                             |   |                 |  |   |   |                               |              |  |
| 22                 | 103S-02                                | TEE  | 2                             |   |                 |  |   |   |                               |              |  |
| 23                 | *30811                                 | SWITCH - BRAKE                                   | 2                             | Oil Disc<br>Brakes<br>S/N 21134<br>to 21584 |                 |  |   |   |                               |              |  |



| SECTION<br>SECCION |  | PAGE<br>PAGINA  |                                | ISSUE No.<br>N° D'ÉMISSION<br>N° DE EDICION |                 | CONTROL BOX, WIRING HARNESS & SENDING UNITS - ALL WHEEL DRIVE |   |                                |                               | JANUARY 1992 |  |
|--------------------|--|---|--------------------------------|---|-----------------|---|---|--------------------------------|-------------------------------|--------------|--|
| No.<br>N°<br>N°    | PART No.<br>N° DE PIÉCE<br>N° DE PIEZA | DESCRIPTION<br>DESCRIPTION<br>DESCRIPCION                 | No. REQ.<br>N° REQ.<br>N° REQ. | REMARKS<br>REMARQUES<br>NOTAS               | No.<br>N°<br>N° | PART No.<br>N° DE PIÉCE<br>N° DE PIEZA                        | DESCRIPTION<br>DESCRIPTION<br>DESCRIPCION | No. REQ.<br>N° REQ.<br>N° REQ. | REMARKS<br>REMARQUES<br>NOTAS |              |  |
| 1                  | *59551                                 | CONTROL BOX ASSEMBLY - 12 VOLT<br>- INCLUDES ITEMS 2 to 9 | 1                              |   |                 |   |   |                                |                               |              |  |
|                    | *61188                                 | CONTROL BOX ASSEMBLY - 24 VOLT<br>- INCLUDES ITEMS 2 to 9 | 1                              |   |                 |   |   |                                |                               |              |  |
| 2                  | *63023                                 | COMPRESSION FITTING                                       | 1                              |   |                 |   |   |                                |                               |              |  |
| 3                  | *63025                                 | HOLDER - FUSE   | 1                              |   |                 |   |   |                                |                               |              |  |
| 4                  | 18790                                  | BULB  | 4                              |   |                 |   |   |                                |                               |              |  |
| 5                  | *63024                                 | FUSE - 10 AMP.  | 1                              |   |                 |   |   |                                |                               |              |  |
| 6                  | 28811                                  | LIGHT - C/W ITEM 4  | 1                              |   |                 |   |   |                                |                               |              |  |
| 7                  | 30830                                  | LIGHT - C/W ITEM 4  | 1                              |   |                 |   |   |                                |                               |              |  |
| 8                  | 30831                                  | LIGHT - C/W ITEM 4  | 1                              |   |                 |   |   |                                |                               |              |  |
| 9                  | *63022                                 | SWITCH - ROCKER   | 1                              |   |                 |   |   |                                |                               |              |  |
| 10                 | *63021                                 | LENS - SHROUD   | 4                              |   |                 |   |   |                                |                               |              |  |
| 11                 | *63018                                 | LENS - OIL TEMPERATURE                                    | 1                              |   |                 |   |   |                                |                               |              |  |
| 12                 | *63019                                 | LENS - OIL PRESSURE                                       | 1                              |   |                 |   |   |                                |                               |              |  |
| 13                 | *63020                                 | LENS - DIRECTIONAL INDICATORS                             | 2                              |   |                 |   |   |                                |                               |              |  |
| 14                 | 30757                                  | SWITCH - OIL TEMPERATURE - BELOW RESERVOIR                | 1                              |   |                 |   |   |                                |                               |              |  |
| 15                 | *59107                                 | SWITCH - OIL PRESSURE - ON FILTER                         | 1                              |   |                 |   |   |                                |                               |              |  |
| 16                 | 30811                                  | SWITCH - HYDRAULIC PRESSURE<br>- ON BRAKE MASTER CYLINDER | 1                              |   |                 |   |   |                                |                               |              |  |
| 17                 | *58563                                 | CONNECTOR   | 2                              |   |                 |   |   |                                |                               |              |  |
| 18                 | 110AH-0408                             | REDUCER   | 2                              |   |                 |   |   |                                |                               |              |  |
| 19                 | *112C-08                               | TEE   | 2                              |   |                 |   |   |                                |                               |              |  |
| 20                 | 48413                                  | SWITCH - CLUTCH PRESSURE<br>- ON CLUTCH MASTER CYLINDER   | 1                              |   |                 |   |   |                                |                               |              |  |
| 21                 | *100H-0402                             | ELBOW   | 1                              |   |                 |   |   |                                |                               |              |  |
| 22                 | 115M-02                                | TEE   | 1                              |   |                 |   |   |                                |                               |              |  |
| 23                 | 103K-02                                | NIPPLE  | 1                              |   |                 |   |   |                                |                               |              |  |
| 24                 | *59554                                 | HARNESS - SAFETY CIRCUIT                                  | 1                              |   |                 |   |   |                                |                               |              |  |
| 25                 | *59552                                 | HARNESS - FRONT CONTROLS                                  | 1                              |   |                 |   |   |                                |                               |              |  |

CHAMPION ROAD MACHINERY



NOVEMBER 1984

ELECTRIC TIRE PUMP

PARA LA LISTA DE LAS PIEZAS - VER AL VERSO

POUR LA LISTE DES PIÈCES - VOIR AU VERSO

FOR LIST OF PARTS - TURN THIS PAGE

ISSUE No. 1  
N° D'ÉMISSION 1  
N° DE EDICIÓN 1

EFFECTIVE SERIAL NUMBER(S) 16224,16245 & UP  
NUMERO(S) DE SÉRIE EFFECTIF(S)  
NUMERO(S) DE SERIE EFECTIVO(S)  
U.S. 2021-2 & UP

700 SERIES  
SERIE 700

SECTION 10 PAGE 13  
SECCION 10 PAGINA 13

SECTION 10  
SECCION 10PAGE 14  
PAGINA 14ISSUE No.  
N° D'ÉMISSION 1  
N° DE EDICION

## ELECTRIC TIRE PUMP

NOVEMBER 1984

| No.<br>N°<br>N° | PART No.<br>N° DE PIÈCE<br>N° DE PIEZA | DESCRIPTION<br>DÉSCRIPTION<br>DESCRIPCION      | No. REQ.<br>N° REQ.<br>N° REQ. | REMARKS<br>REMARQUES<br>NOTAS | No.<br>N°<br>N° | PART No.<br>N° DE PIÈCE<br>N° DE PIEZA | DESCRIPTION<br>DÉSCRIPTION<br>DESCRIPCION | No. REQ.<br>N° REQ.<br>N° REQ. | REMARKS<br>REMARQUES<br>NOTAS |
|-----------------|--|--|--------------------------------|-------------------------------|-----------------|--|---|--------------------------------|-------------------------------|
| 1               | 2796                                   | TIRE PUMP ASSEMBLY - INCLUDES ITEMS<br>2 TO 27 | 1                              |                               |                 |  |   |                                |                               |
| 2               | 11627                                  | MOTOR - 12 VOLT                                | 1                              |                               |                 |  |   |                                |                               |
| 3               | 11628                                  | HEAD   | 1                              |                               |                 |  |   |                                |                               |
| 4               | 11629                                  | RETAINER SCREEN                                | 2                              |                               |                 |  |   |                                |                               |
| 5               | 11630                                  | FILTER PAD                                     | 1                              |                               |                 |  |   |                                |                               |
| 6               | 11631                                  | GASKET   | 1                              |                               |                 |  |   |                                |                               |
| 7               | 11632                                  | INLET VALVE                                    | 1                              |                               |                 |  |   |                                |                               |
| 8               | 11633                                  | VALVE PLATE ASSY.                              | 1                              |                               |                 |  |   |                                |                               |
| 9               | 11634                                  | AIR SEAL                                       | 1                              |                               |                 |  |   |                                |                               |
| 10              | 11635                                  | PLATE  | 1                              |                               |                 |  |   |                                |                               |
| 11              | 11636                                  | HOUSING  | 1                              |                               |                 |  |   |                                |                               |
| 12              | 11637                                  | COVER  | 1                              |                               |                 |  |   |                                |                               |
| 13              | 11638                                  | BEARING - OUTBOARD                             | 1                              |                               |                 |  |   |                                |                               |
| 14              | 11639                                  | ECCENTRIC                                      | 1                              |                               |                 |  |   |                                |                               |
| 15              | 11640                                  | BEARING - CONNECTING ROD                       | 1                              |                               |                 |  |   |                                |                               |
| 16              | 11641                                  | PISTON   | 1                              |                               |                 |  |   |                                |                               |
| 17              | 52L-0602                               | SCREW  | 2                              |                               |                 |  |   |                                |                               |
| 18              | 52H-0804                               | SCREW  | 4                              |                               |                 |  |   |                                |                               |
| 19              | 53H-1004                               | SCREW  | 4                              |                               |                 |  |   |                                |                               |
| 20              | 53L-1007                               | SCREW  | 6                              |                               |                 |  |   |                                |                               |
| 21              | 14H-10                                 | LOCKWASHER                                     | 1                              |                               |                 |  |   |                                |                               |
| 22              | 33F-10                                 | NUT  | 1                              |                               |                 |  |   |                                |                               |
| 23              | 50N-0402                               | SCREW  | 1                              |                               |                 |  |   |                                |                               |
| 24              | 50N-0406                               | SCREW  | 4                              |                               |                 |  |   |                                |                               |
| 25              | 50N-0410                               | SCREW  | 12                             |                               |                 |  |   |                                |                               |
| 26              | 14A-04                                 | LOCKWASHER                                     | 12                             |                               |                 |  |   |                                |                               |
| 27              | 71E-0608                               | SCREW  | 1                              |                               |                 |  |   |                                |                               |
| 28              | 2799                                   | HOSE   | 1                              |                               |                 |  |   |                                |                               |
| 29              | 9461                                   | GAUGE  | 1                              |                               |                 |  |   |                                |                               |
| 30              | 18738                                  | COUPLER  | 1                              |                               |                 |  |   |                                |                               |
| 31              | 18739                                  | CONNECTOR                                      | 1                              |                               |                 |  |   |                                |                               |
| 32              | 50A-0512                               | BOLT   | 4                              |                               |                 |  |   |                                |                               |
| 33              | 14A-05                                 | LOCKWASHER                                     | 4                              |                               |                 |  |   |                                |                               |
| 34              | 14C-05                                 | FLATWASHER                                     | 4                              |                               |                 |  |   |                                |                               |

CHAMPION ROAD MACHINERY

EFFECTIVE SERIAL NUMBERS)  
 NUMEROS) DE SERIE EFFECTIFS)  
 NUMEROS) DE SERIE EFFECTIVOS)

17882 TO 19291

700 SERIES  
 SERIE 700

SECTION PAGE  
 SECCION PAGINA  
 10 15

ISSUE No.  
 N° D'ÉMISSION  
 N° DE EDICION

1 REVISION A

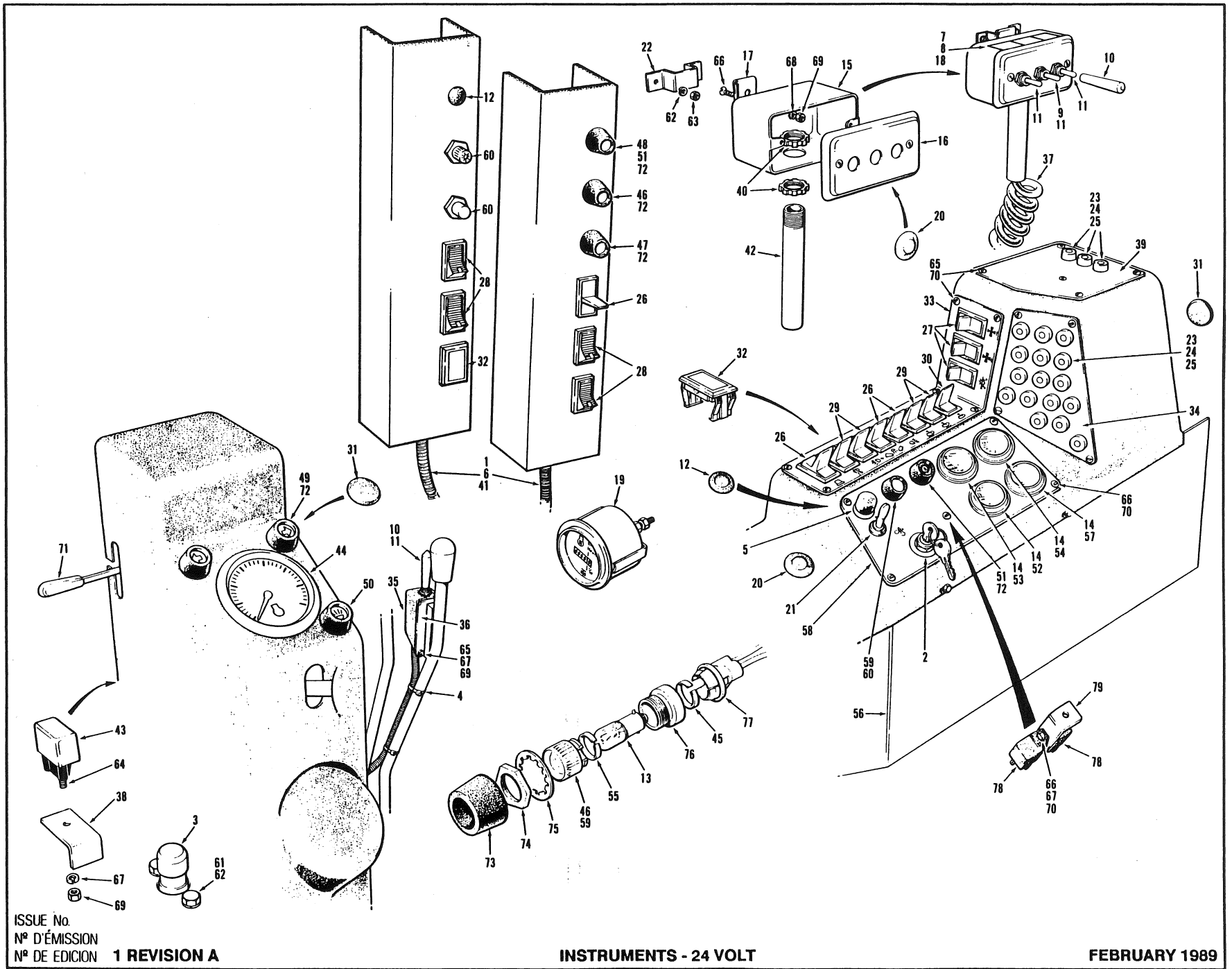
INSTRUMENTS - 24 VOLT

FEBRUARY 1989

FOR LIST OF PARTS - TURN THIS PAGE

POUR LA LISTE DES PIÈCES - VOIR AU VERSO

PARA LA LISTA DE LAS PIEZAS - VER AL VERSO



USE ONLY CHAMPION ROAD MACHINERY APPROVED PARTS

| SECTION 10 |                                  | PAGE 16                             | ISSUE No.<br>N° D'ÉMISSION 1 REVISION A | INSTRUMENTS - 24 VOLT   |           |                                  | FEBRUARY 1989   |                          |                         |
|------------|----------------------------------|-------------------------------------|---|-------------------------|-----------|----------------------------------|---|--------------------------|-------------------------|
| SECCION    |                                  | PAGINA                              | N° DE EDICION                           |                         |           |                                  |   |                          |                         |
| No. N° N°  | PART No. N° DE PIÈCE N° DE PIEZA | DESCRIPTION DESCRIPTION DESCRIPCION | No. REQ. N° REQ. N° REQ.                | REMARKS REMARQUES NOTAS | No. N° N° | PART No. N° DE PIECE N° DE PIEZA | DESCRIPTION DESCRIPTION DESCRIPCION                             | No. REQ. N° REQ. N° REQ. | REMARKS REMARQUES NOTAS |
| 1          | 140-01                           | WIRE - 14 Ga.                       | A.R.                                    |                         | 42        | 32577                            | HANDLE  | 1                        |                         |
| 2          | 5618                             | IGNITION SWITCH & KEYS              | 1                                       |                         | 43        | 14267                            | FLASHER UNIT  | 1                        |                         |
| 3          | 7120                             | DIMMER SWITCH                       | 1                                       |                         | 44        | 40728                            | TACHOMETER  | 1                        |                         |
| 4          | 15774                            | PLASTIC TIE                         | A.R.                                    |                         | 45        | 34416                            | FORCE RING  | 1                        |                         |
| 5          | *49262                           | HORN BUTTON                         | 1                                       |                         | 46        | 34428                            | LENS - AMBER  | A.R.                     |                         |
| 6          | 17536                            | CONDUIT                             | A.R.                                    |                         | 47        | 34430                            | LENS - DIFFERENTIAL   | 1                        |                         |
| 7          | 17796                            | DECAL - WINDROW ELIMINATOR          | 1                                       |                         | 48        | 34431                            | LENS - O.D.B. PRESSURE  | 1                        |                         |
| 8          | 17797                            | DECAL - RIPPER                      | 1                                       |                         | 49        | 34432                            | LENS - TURN SIGNAL  | 1                        |                         |
| 9          | 17881                            | SWITCH                              | A.R.                                    |                         | 50        | 34433                            | LENS - HIGH BEAM  | 1                        |                         |
| 10         | 17924                            | HANDLE                              | A.R.                                    |                         | 51        | 34434                            | LENS - LUBE PRESSURE  | 1                        |                         |
| 11         | 17925                            | SWITCH                              | A.R.                                    |                         | 52        | 34068                            | VOLTMETER   | 1                        |                         |
| 12         | 18012                            | PLUG                                | A.R.                                    |                         | 53        | 34069                            | GAUGE - COOLANT TEMPERATURE                                     | 1                        |                         |
| 13         | *23802                           | BULB                                | A.R.                                    |                         | 54        | 34070                            | GAUGE - ENGINE OIL PRESSURE                                     | 1                        |                         |
| 14         | *36838                           | BULB                                | A.R.                                    |                         | 55        | 36829                            | FORCE RING  | 1                        |                         |
| 15         | 19884                            | SWITCH BOX                          | 1                                       |                         | 56        | 40098                            | BOX   | 1                        |                         |
| 16         | 19885                            | LID - C/W SCREWS                    | 1                                       |                         | 57        | 34067                            | GAUGE - FUEL LEVEL  | 1                        |                         |
| 17         | 19939                            | CLIP                                | 1                                       |                         | 58        | 40517                            | GAUGE PANEL   | 1                        |                         |
| 18         | 23008                            | DECAL - WING CONTROLS               | 1                                       |                         | 59        | 41304                            | LENS - RED - ENGINE WARNING                                     | 1                        |                         |
| 19         | 23775                            | HOURLY METER                        | 1                                       |                         | 60        | 34079                            | BUZZER  | A.R.                     |                         |
| 20         | 23121                            | PLUG                                | A.R.                                    |                         | 61        | 50A-0404                         | BOLT  | 2                        |                         |
| 21         | 23122                            | SWITCH - COLD START                 | 1                                       |                         | 62        | 14A-04                           | LOCKWASHER  | 2                        |                         |
| 22         | 23123                            | BRACKET                             | 1                                       |                         | 63        | 30A-04                           | NUT   | 2                        |                         |
| 23         | 34075                            | CIRCUIT BREAKER - 4 AMP.            | A.R.                                    |                         | 64        | 52H-0604                         | SCREW   | 1                        |                         |
| 24         | 34074                            | CIRCUIT BREAKER - 8 AMP.            | A.R.                                    |                         | 65        | 52L-0804                         | SCREW   | A.R.                     |                         |
| 25         | 27354                            | CIRCUIT BREAKER - 15 AMP.           | A.R.                                    |                         | 66        | 52L-0808                         | SCREW   | A.R.                     |                         |
| 26         | 28700                            | SWITCH - 2 POSITION                 | A.R.                                    |                         | 67        | 14F-08                           | LOCKWASHER  | A.R.                     |                         |
| 27         | 28701                            | SWITCH - 3 POSITION                 | A.R.                                    |                         | 68        | 14H-06                           | STARWASHER  | 1                        |                         |
| 28         | 28718                            | SWITCH - FLOAT VALVE                | 2                                       |                         | 69        | 32A-06                           | NUT   | 3                        |                         |
| 29         | 28720                            | SWITCH - 3 POSITION                 | A.R.                                    |                         | 70        | 46A-08                           | NUT   | A.R.                     |                         |
| 30         | 28721                            | SWITCH - 2 POSITION MOMENTARY       | A.R.                                    |                         | 71        | 40963                            | SWITCH  | A.R.                     |                         |
| 31         | 28748                            | PLUG                                | A.R.                                    |                         | 72        | 40731                            | LIGHT INDICATOR ASSEMBLY - INCLUDES ITEMS 13, 45, 55 & 73 TO 76 | A.R.                     |                         |
| 32         | 28749                            | PLUG                                | A.R.                                    |                         | 73        |                                  | SHROUD  | 1                        |                         |
| 33         | 28879                            | SWITCH PANEL                        | 1                                       |                         | 74        |                                  | NUT   | 1                        |                         |
| 34         | 28880                            | LOWER PANEL                         | 1                                       |                         | 75        |                                  | WASHER  | 1                        |                         |
| 35         | 28962                            | HOLDER                              | 1                                       |                         | 76        |                                  | BODY  | 1                        |                         |
| 36         | 28963                            | BRACKET                             | 1                                       |                         | 77        |                                  | WIRES   | 1                        |                         |
| 37         | 32372                            | COIL CORD                           | 1                                       |                         |           |                                  | } NOT SOLD SEPARATELY   |                          |                         |
| 38         | 33179                            | MOUNTING BRACKET FLASHER            | 1                                       |                         |           |                                  |   |                          |                         |
| 39         | 32393                            | UPPER PANEL                         | 1                                       |                         |           |                                  |   |                          |                         |
| 40         | 32412                            | LOCKNUT                             | 2                                       |                         |           |                                  |   |                          |                         |
| 41         | 32437                            | GROMMET                             | 1                                       |                         |           |                                  |   |                          |                         |
|            |                                  |                                     |   |                         | 78        | 43029                            | RELAY SWITCH  | 3                        |                         |
|            |                                  |                                     |   |                         | 79        | 33239-2                          | BRACKET   | 1                        |                         |
|            |                                  |                                     |   |                         | 80        | *34427                           | LIGHT INDICATOR ASSEMBLY - INCLUDES ITEMS 13, 45, 55 & 73 TO 77 | A.R.                     | REPAIR PART             |



CHAMPION ROAD MACHINERY

EFFECTIVE SERIAL NUMBER(S)  
 NUMEROS(S) DE SERIE EFFECTIF(S)  
 NUMEROS(S) DE SERIE EFECTIVOS

19292 & UP

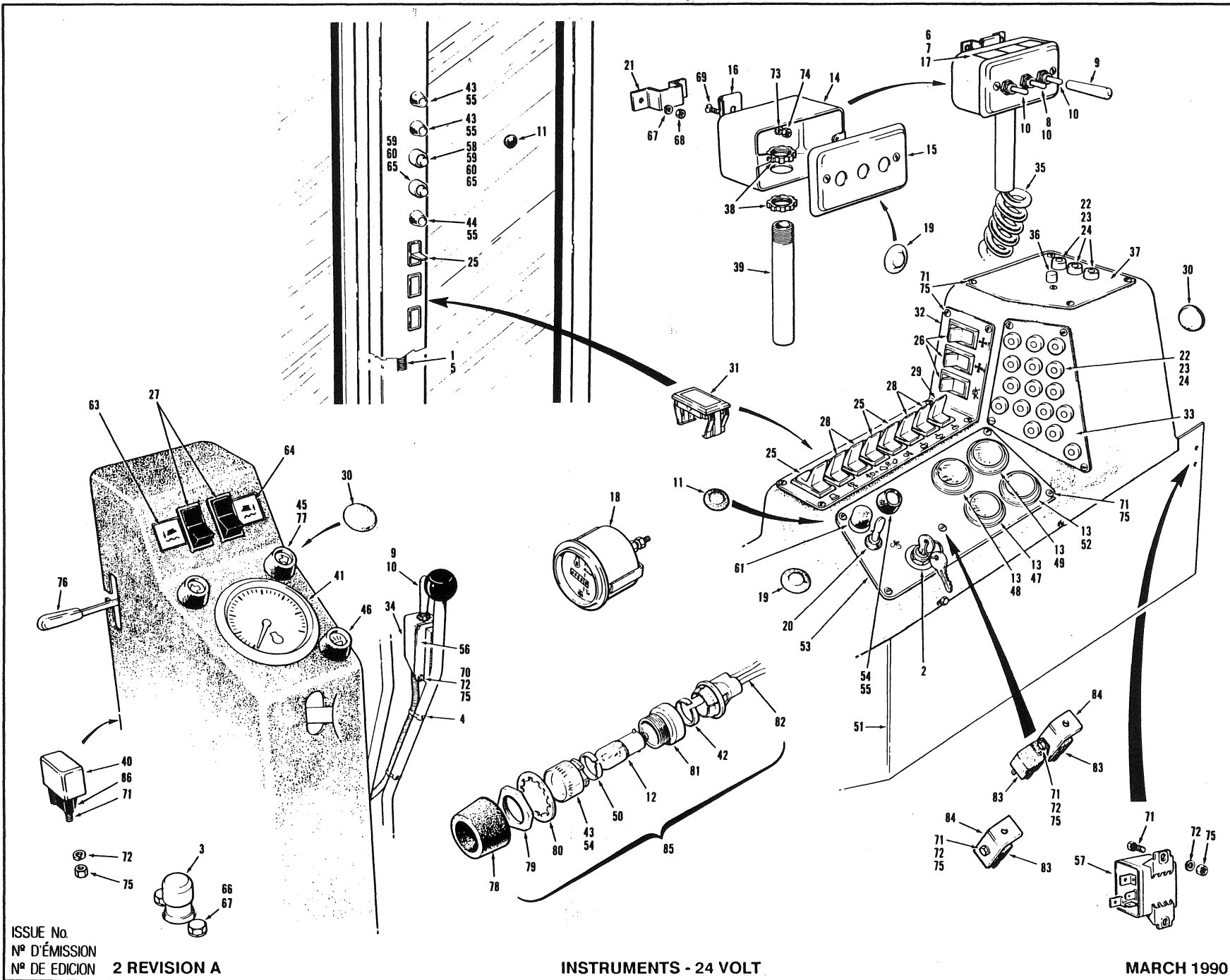
700 SERIES  
 SERIE 700

SECTION 10 PAGE  
 SECCION 10 PAGINA 15

ISSUE No.  
 N° D'ÉMISSION  
 N° DE EDICION 2 REVISION A

INSTRUMENTS - 24 VOLT

MARCH 1990



FOR LIST OF PARTS - TURN THIS PAGE

POUR LA LISTE DES PIÈCES - VOIR AU VERSO

PARA LA LISTA DE LAS PIEZAS - VER AL VERSO

USE ONLY CHAMPION ROAD MACHINERY APPROVED PARTS

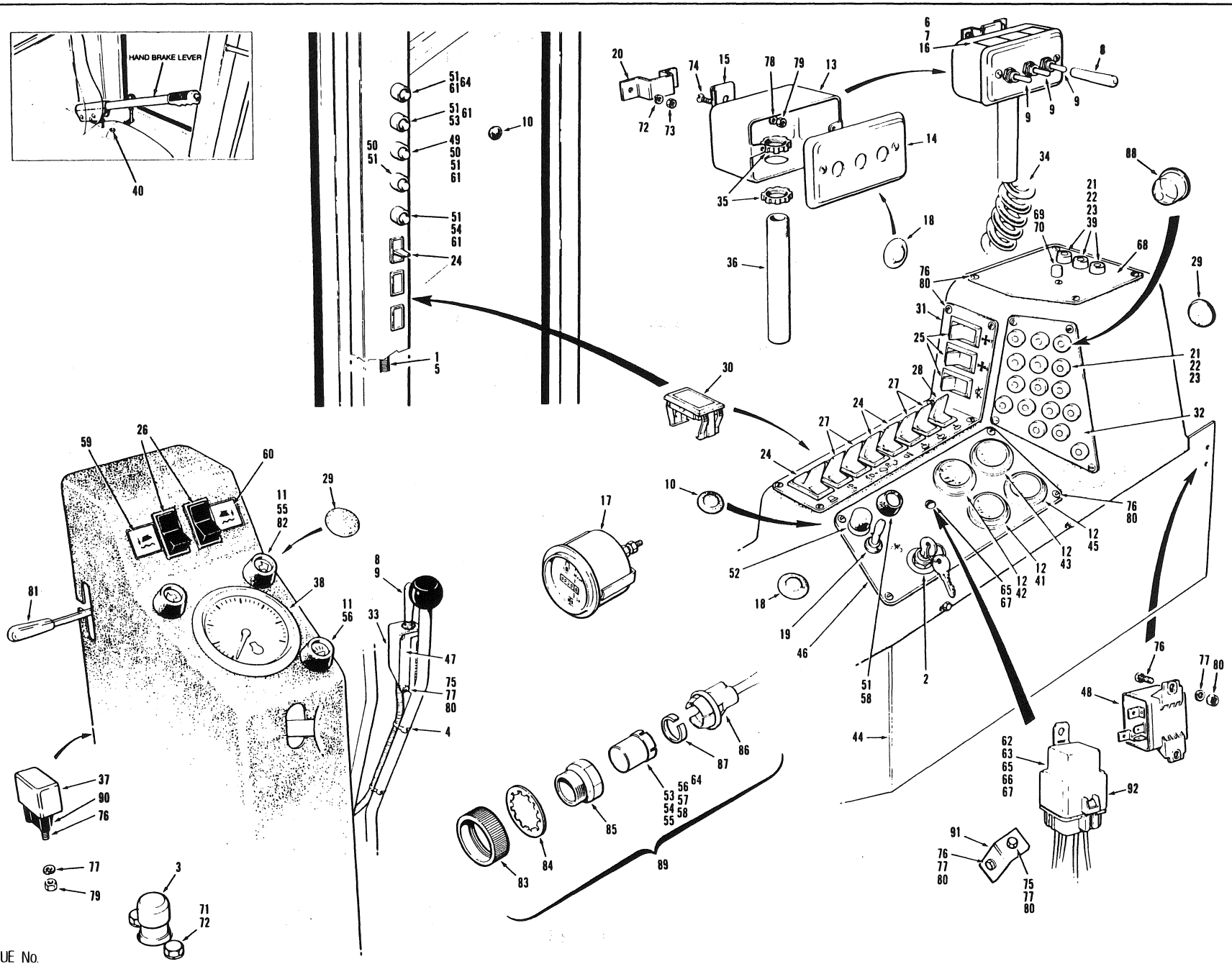
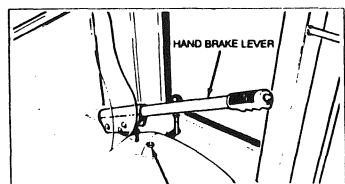
| SECTION<br>SECCION | 10                                     | PAGE<br>PAGINA                            | 16 | ISSUE No.<br>N° D'ÉMISSION<br>N° DE EDICION | 2 REVISION A                   | INSTRUMENTS - 24 VOLT         |                 |  |  | MARCH 1990 |                                |                               |
|--------------------|--|---|----|---|--------------------------------|-------------------------------|-----------------|--|--|------------|--------------------------------|-------------------------------|
| No.<br>N°<br>N°    | PART No.<br>N° DE PIÈCE<br>N° DE PIEZA | DESCRIPTION<br>DESCRIPTION<br>DESCRIPCION |    |   | No. REQ.<br>N° REQ.<br>N° REQ. | REMARKS<br>REMARQUES<br>NOTAS | No.<br>N°<br>N° | PART No.<br>N° DE PIÈCE<br>N° DE PIEZA | DESCRIPTION<br>DESCRIPTION<br>DESCRIPCION                          |            | No. REQ.<br>N° REQ.<br>N° REQ. | REMARKS<br>REMARQUES<br>NOTAS |
| 1                  | 140-1                                  | WIRE - 14 GA.                             |    |   | A.R.                           |                               | 51              | 40098                                  | BOX  |            | 1                              |                               |
| 2                  | 5618                                   | IGNITION SWITCH & KEYS                    |    |   | 1                              |                               | 52              | 34067                                  | GAUGE - FUEL LEVEL   |            | 1                              |                               |
| 3                  | 7120                                   | DIMMER SWITCH                             |    |   | 1                              |                               | 53              | 40517                                  | GAUGE PANEL  |            | 1                              |                               |
| 4                  | 15774                                  | PLASTIC TIE                               |    |   | A.R.                           |                               | 54              | 41304                                  | LENS - RED - ENGINE WARNING  |            | 1                              |                               |
| 5                  | 17536                                  | CONDUIT                                   |    |   | A.R.                           |                               | 55              | 34079                                  | BUZZ LITE  |            | A.R.                           |                               |
| 6                  | 17796                                  | DECAL - WINDROW ELIMINATOR                |    |   | 1                              |                               | 56              | 48729                                  | BRACKET  |            | 1                              |                               |
| 7                  | 17797                                  | DÉCAL - RIPPER                            |    |   | 1                              |                               | 57              | *53426                                 | RELAY - 24 VOLT  |            | 1                              |                               |
| 8                  | 17881                                  | SWITCH                                    |    |   | A.R.                           |                               | 58              | *49079                                 | LENS   |            | 1                              | DRUM BRAKES                   |
| 9                  | 17924                                  | HANDLE                                    |    |   | A.R.                           |                               | 59              | *49080                                 | LENS   |            | 1                              | DRUM BRAKES                   |
| 10                 | 17925                                  | SWITCH                                    |    |   | A.R.                           |                               |                 |  |  |            | 2                              | O.D. BRAKES                   |
| 11                 | 18012                                  | PLUG                                      |    |   | A.R.                           |                               | 60              | *53444                                 | BUZZ LITE INDICATOR C/W ITEM 65 - 24 VOLT                          |            | 2                              | DRUM BRAKES                   |
| 12                 | 23802                                  | BULB                                      |    |   | A.R.                           |                               | 61              | 49262                                  | HORN BUTTON  |            | 1                              |                               |
| 13                 | 36838                                  | BULB                                      |    |   | A.R.                           |                               | 63              | 49481                                  | DECAL - L.H. - FLOAT   |            | 1                              |                               |
| 14                 | 19884                                  | SWTICH BOX                                |    |   | 1                              |                               | 64              | 49482                                  | DECAL - R.H. - FLOAT   |            | 1                              |                               |
| 15                 | 19885                                  | LID - C/W SCREWS                          |    |   | 1                              |                               | 65              | *56546                                 | BULB - 24 VOLT   |            | A.R.                           |                               |
| 16                 | 19939                                  | CLIP                                      |    |   | 1                              |                               | 66              | 50A-0404                               | BOLT   |            | 2                              |                               |
| 17                 | 23008                                  | DECAL - WING CONTROLS                     |    |   | 1                              |                               | 67              | 14A-04                                 | LOCKWASHER   |            | 2                              |                               |
| 18                 | 23775                                  | HOUR METER                                |    |   | 1                              |                               | 68              | 30A-04                                 | NUT  |            | 2                              |                               |
| 19                 | 23121                                  | PLUG                                      |    |   | A.R.                           |                               | 69              | 52H-0604                               | SCREW  |            | 1                              |                               |
| 20                 | 23122                                  | SWTICH - COLD START                       |    |   | 1                              |                               | 70              | 52L-0804                               | SCREW  |            | 1                              |                               |
| 21                 | 23123                                  | BRACKET                                   |    |   | 1                              |                               | 71              | 52L-0808                               | SCREW  |            | A.R.                           |                               |
| 22                 | 34075                                  | CIRCUIT BREAKER - 4 AMP.                  |    |   | A.R.                           |                               | 72              | 14F-08                                 | LOCKWASHER   |            | A.R.                           |                               |
| 23                 | 34074                                  | CIRCUIT BREAKER - 8 AMP.                  |    |   | A.R.                           |                               | 73              | 14H-06                                 | STARWASHER   |            | 1                              |                               |
| 24                 | 27354                                  | CIRCUIT BREAKER - 15 AMP.                 |    |   | A.R.                           |                               | 74              | 32A-06                                 | NUT  |            | 3                              |                               |
| 25                 | 28700                                  | SWITCH - 2 POSITION                       |    |   | A.R.                           |                               | 75              | 46A-08                                 | NUT  |            | A.R.                           |                               |
| 26                 | 28701                                  | SWITCH - 3 POSITION                       |    |   | A.R.                           |                               | 76              | 40963                                  | SWITCH   |            | A.R.                           |                               |
| 27                 | 28718                                  | SWITCH - FLOAT VALVE                      |    |   | 2                              |                               | 77              | *40731                                 | LIGHT INDICATOR ASSEMBLY - INCLUDES ITEMS 12,<br>42, 50 & 78 TO 81 |            | A.R.                           |                               |
| 28                 | 28720                                  | SWITCH - 3 POSITION                       |    |   | A.R.                           |                               | 78              |  | SHROUD   |            | 1                              |                               |
| 29                 | 28721                                  | SWITCH - 2 POSITION MOMENTARY             |    |   | A.R.                           |                               | 79              |  | NUT  |            | 1                              |                               |
| 30                 | 28748                                  | PLUG                                      |    |   | A.R.                           |                               | 80              |  | WASHER   |            | 1                              |                               |
| 31                 | 28749                                  | PLUG                                      |    |   | A.R.                           |                               | 81              |  | BODY   |            | 1                              |                               |
| 32                 | 28879                                  | SWITCH PANEL                              |    |   | 1                              |                               | 82              |  | WIRES  |            | 1                              |                               |
| 33                 | 28880                                  | LOWER PANEL                               |    |   | 1                              |                               | 83              | 43029                                  | RELAY SWITCH   |            | 3                              |                               |
| 34                 | 28962                                  | HOLDER                                    |    |   | 1                              |                               | 84              | 33239-2                                | BRACKET  |            | 2                              |                               |
| 35                 | 32372                                  | COIL CORD                                 |    |   | 1                              |                               | 85              | 34427                                  | LIGHT INDICATOR ASSEMBLY<br>- INCLUDES ITEMS 12, 42, 50 & 78 TO 82 |            | A.R.                           |                               |
| 36                 | 33179                                  | MOUNTING BRACKET FLASHER                  |    |   | 1                              |                               | 86              | *3974A                                 | RECEPTACLE   |            | 1                              |                               |
| 37                 | 32393                                  | UPPER PANEL                               |    |   | 1                              |                               |                 |  |  |            |                                |                               |
| 38                 | 32412                                  | LOCKNUT                                   |    |   | 2                              |                               |                 |  |  |            |                                |                               |
| 39                 | 32577                                  | HANDLE                                    |    |   | 1                              |                               |                 |  |  |            |                                |                               |
| 40                 | 14267                                  | FLASHER UNIT                              |    |   | 1                              |                               |                 |  |  |            |                                |                               |
| 41                 | 40728                                  | TACHOMETER                                |    |   | 1                              |                               |                 |  |  |            |                                |                               |
| 42                 | 34416                                  | FORCE RING                                |    |   | 1                              |                               |                 |  |  |            |                                |                               |
| 43                 | 34428                                  | LENS - AMBER                              |    |   | A.R.                           |                               |                 |  |  |            |                                |                               |
| 44                 | 34430                                  | LENS - DIFFERENTIAL                       |    |   | 1                              |                               |                 |  |  |            |                                |                               |
| 45                 | 34432                                  | LENS - TURN SIGNAL                        |    |   | 2                              |                               |                 |  |  |            |                                |                               |
| 46                 | 34433                                  | LENS - HIGH BEAM                          |    |   | 1                              |                               |                 |  |  |            |                                |                               |
| 47                 | 34068                                  | VOLTMETER                                 |    |   | 1                              |                               |                 |  |  |            |                                |                               |
| 48                 | 34069                                  | GAUGE - COOLANT TEMPERATURE               |    |   | 1                              |                               |                 |  |  |            |                                |                               |
| 49                 | 34070                                  | GAUGE - ENGINE OIL PRESSURE               |    |   | 1                              |                               |                 |  |  |            |                                |                               |
| 50                 | 36829                                  | FORCE RING                                |    |   | 1                              |                               |                 |  |  |            |                                |                               |

EFFECTIVE SERIAL NUMBERS)  
 NUMEROSI DE SÉRIE EFFECTIFS)  
 NUMEROSI DE SERIE EFFECTIVOS)

20493 & UP

700 SERIES  
 SERIE 700

SECTION 10 PAGE  
 SECCION 10 PAGINA  
 15



ISSUE No.  
 N° D'ÉMISSION  
 N° DE EDICION 3

INSTRUMENTS - 24 VOLT

APRIL 1990

FOR LIST OF PARTS - TURN THIS PAGE

POUR LA LISTE DES PIÈCES - VOIR AU VERSO

PARA LA LISTA DE LAS PIEZAS - VER AL VERSO

USE ONLY CHAMPION ROAD MACHINERY APPROVED PARTS

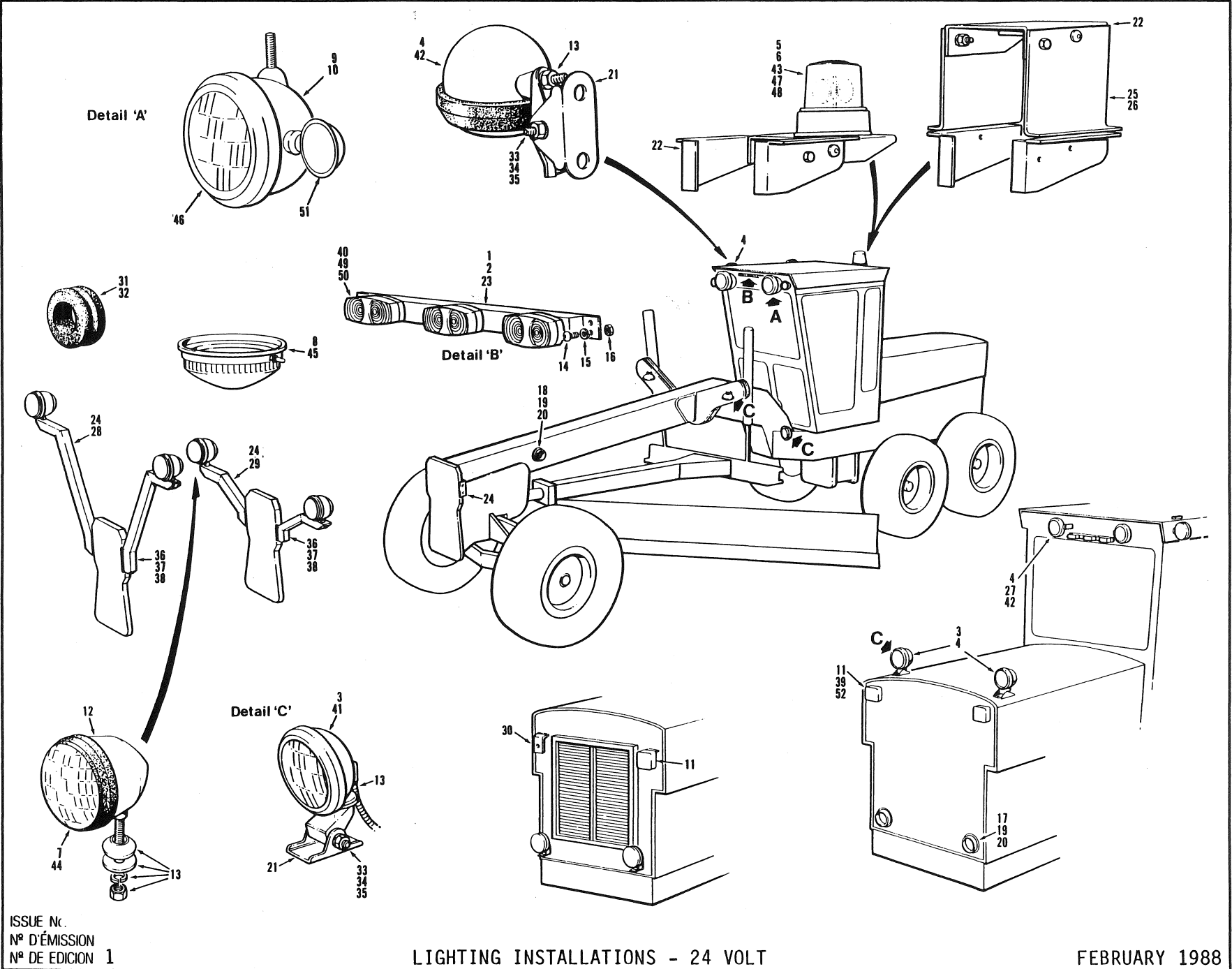
| SECTION<br>SECCION |  | PAGE<br>PAGINA                            |                                | ISSUE No.<br>N° D'ÉMISSION<br>N° DE EDICION |                 | INSTRUMENTS - 24 VOLT                  |   |                                | APRIL1990                     |  |
|--------------------|--|---|--------------------------------|---|-----------------|--|---|--------------------------------|-------------------------------|--|
| No.<br>N°<br>N°    | PART No.<br>N° DE PIÈCE<br>N° DE PIEZA | DESCRIPTION<br>DÉSCRIPTION<br>DESCRIPCION | No. REQ.<br>N° REQ.<br>N° REQ. | REMARKS<br>REMARQUES<br>NOTAS               | No.<br>N°<br>N° | PART No.<br>N° DE PIECE<br>N° DE PIEZA | DESCRIPTION<br>DÉSCRIPTION<br>DESCRIPCION   | No. REQ.<br>N° REQ.<br>N° REQ. | REMARKS<br>REMARQUES<br>NOTAS |  |
| 1                  | 140-01                                 | WIRE - 14 GAUGE                           | per ft.                        |   | 51              | *53444                                 | BUZZ LITE INDICATOR                         | A.R.                           |                               |  |
| 2                  | 5618                                   | IGNITION SWITCH & KEYS                    | 1                              |   | 52              | 49262                                  | HORN BUTTON                                 | 1                              |                               |  |
| 3                  | 7120                                   | DIMMER SWITCH                             | 1                              |   | 53              | *49347                                 | LENS - AMBER                                | 1                              |                               |  |
| 4                  | 15774                                  | PLASTIC TIE                               | A.R.                           |   | 54              | *49348                                 | LENS - DIFFERENTIAL                         | 1                              |                               |  |
| 5                  | 17536                                  | CONDUIT                                   | A.R.                           |   | 55              | *49349                                 | LENS - TURN SIGNAL                          | 2                              |                               |  |
| 6                  | 17796                                  | DECAL - WINDROW ELIMINATOR                | 1                              |   | 56              | *49350                                 | LENS - HIGH BEAM                            | 1                              |                               |  |
| 7                  | 17797                                  | DECAL - RIPPER                            | 1                              |   | 57              | *49351                                 | LENS - RED - TRANSMISSION PRESSURE          | 1                              |                               |  |
| 8                  | 17924                                  | HANDLE                                    | A.R.                           |   | 58              | *49352                                 | LENS - RED - ENGINE WARNING                 | 1                              |                               |  |
| 9                  | 17925                                  | SWITCH                                    | A.R.                           |   | 59              | 49481                                  | DECAL - L.H. - FLOAT                        | 1                              |                               |  |
| 10                 | 18012                                  | PLUG                                      | A.R.                           |   | 60              | 49482                                  | DECAL - R.H. - FLOAT                        | 1                              |                               |  |
| 11                 | 23802                                  | BULB                                      | A.R.                           |   | 61              | *56546                                 | BULB - 24 VOLT                              | A.R.                           |                               |  |
| 12                 | 36838                                  | BULB                                      | A.R.                           |   | 62              | *54092                                 | TRANSMISSION RELAY HARNESS C/W ITEM 92      | 1                              |                               |  |
| 13                 | 19884                                  | SWITCH BOX                                | 1                              |   | 63              | *54094                                 | NEUTRAL START RELAY HARNESS C/W ITEM 92     | 1                              |                               |  |
| 14                 | 19885                                  | LID - C/W SCREWS                          | 1                              |   | 64              | *51213                                 | LENS - PARKING BRAKE                        | 1                              |                               |  |
| 15                 | 19939                                  | CLIP                                      | 1                              |   | 65              | *54093                                 | BACK-UP RELAY HARNESS C/W ITEM 92           | 1                              |                               |  |
| 16                 | 23008                                  | DECAL - WING CONTROLS                     | 1                              |   | 66              | *54095                                 | PARKING BRAKE RELAY HARNESS C/W ITEM 92     | 1                              |                               |  |
| 17                 | *23083                                 | HOURLMETER                                | 1                              |   | 67              | *54096                                 | DIFFERENTIAL LOCK RELAY HARNESS C/W ITEM 92 | 1                              |                               |  |
| 18                 | 23121                                  | PLUG                                      | A.R.                           |   | 68              | *53029                                 | UPPER PANEL                                 | 1                              |                               |  |
| 19                 | 23122                                  | SWITCH - COLD START                       | 1                              |   | 69              | *53046                                 | CIRCUIT BREAKER - 25 AMP                    | 1                              |                               |  |
| 20                 | 23123                                  | BRACKET                                   | 1                              |   | 70              | *53047                                 | CIRCUIT BREAKER - 30 AMP                    | 1                              |                               |  |
| 21                 | 34075                                  | CIRCUIT BREAKER - 4 AMP.                  | A.R.                           |   | 71              | 50A-0404                               | BOLT  | 2                              |                               |  |
| 22                 | 34074                                  | CIRCUIT BREAKER - 8 AMP.                  | A.R.                           |   | 72              | 14A-04                                 | LOCKWASHER                                  | 2                              |                               |  |
| 23                 | 23754                                  | CIRCUIT BREAKER - 15 AMP.                 | A.R.                           |   | 73              | 30A-04                                 | NUT   | 2                              |                               |  |
| 24                 | 28700                                  | SWITCH - 2 POSITION                       | A.R.                           |   | 74              | 52H-0604                               | SCREW                                       | 1                              |                               |  |
| 25                 | 28701                                  | SWITCH - 3 POSITION                       | A.R.                           |   | 75              | 52L-0804                               | SCREW                                       | A.R.                           |                               |  |
| 26                 | 28718                                  | SWITCH - FLOAT VALVE                      | A.R.                           |   | 76              | 52L-0808                               | SCREW                                       | A.R.                           |                               |  |
| 27                 | 28720                                  | SWITCH - 3 POSITION                       | A.R.                           |   | 77              | 14F-08                                 | LOCKWASHER                                  | A.R.                           |                               |  |
| 28                 | 28721                                  | SWITCH - 2 POSITION MOMENTARY             | A.R.                           |   | 78              | 14F-06                                 | STARWASHER                                  | 1                              |                               |  |
| 29                 | 28748                                  | PLUG                                      | A.R.                           |   | 79              | 32A-06                                 | NUT   | 3                              |                               |  |
| 30                 | 28749                                  | PLUG                                      | A.R.                           |   | 80              | 46A-08                                 | NUT   | A.R.                           |                               |  |
| 31                 | 28879                                  | SWITCH PANEL                              | 1                              |   | 81              | *55179                                 | SWITCH                                      | A.R.                           |                               |  |
| 32                 | 28880                                  | LOWER PANEL                               | 1                              |   | 82              | *54225                                 | LIGHT INDICATOR ASSEMBLY                    | A.R.                           |                               |  |
| 33                 | 28962                                  | HOLDER                                    | 1                              |   |                 |  | - INCLUDES ITEMS 83, 84 & 85                |                                |                               |  |
| 34                 | 32372                                  | COIL CORD                                 | 1                              |   | 83              |  | SHROUD                                      | 1                              |                               |  |
| 35                 | 32412                                  | LOCKNUT                                   | 2                              |   | 84              |  | WASHER                                      | 1                              |                               |  |
| 36                 | 32577                                  | HANDLE                                    | 1                              |   | 85              |  | BODY  | 1                              |                               |  |
| 37                 | 14267                                  | FLASHER UNIT                              | 1                              |   | 86              |  | WIRES                                       | 1                              |                               |  |
| 38                 | *34055                                 | TACHOMETER                                | 1                              |   | 87              | 34416                                  | FORCE RING                                  |                                |                               |  |
| 39                 | 34074                                  | CIRCUIT BREAKER - 8 AMP.                  | A.R.                           |   | 88              | *49754                                 | CAP - PLASTIC                               | A.R.                           |                               |  |
| 40                 | *34845                                 | SWITCH - PARKING BRAKE                    | 1                              |   | 89              | *56697                                 | LIGHT INDICATOR ASSEMBLY                    | A.R.                           |                               |  |
| 41                 | 34068                                  | VOLTMETER                                 | 1                              |   |                 |  | - INCLUDES ITEMS 83 TO 87                   |                                |                               |  |
| 42                 | 34069                                  | GAUGE - COOLANT TEMPERATURE               | 1                              |   | 90              | *3974A                                 | RECEPTACLE                                  | 1                              |                               |  |
| 43                 | 34070                                  | GAUGE - ENGINE OIL PRESSURE               | 1                              |   | 91              | 33239-2                                | BRACKET                                     | 1                              |                               |  |
| 44                 | *55100                                 | BOX                                       | 1                              |   | 92              | *56870                                 | RELAY - 24 VOLT                             | A.R.                           |                               |  |
| 45                 | 34067                                  | GAUGE - FUEL LEVEL                        | 1                              |   |                 |  |   |                                |                               |  |
| 46                 | 40517                                  | GAUGE PANEL                               | 1                              |   |                 |  |   |                                |                               |  |
| 47                 | 48729                                  | BRACKET                                   | 1                              |   |                 |  |   |                                |                               |  |
| 48                 | *53426                                 | RELAY SWITCH - DRUM BRAKES                | 1                              |   |                 | NOTE:                                  | A.R. - AS REQUIRED QUANTITY DETERMINED BY   |                                |                               |  |
| 49                 | *49079                                 | LENS                                      | 1                              |   |                 |  | OPTIONAL EQUIPMENT                          |                                |                               |  |
| 50                 | *49080                                 | LENS                                      | 1                              | DRUM<br>BRAKES                              |                 |  |   |                                |                               |  |
|                    |  |   | 2                              | OIL DISC<br>BRAKES                          |                 |  |   |                                |                               |  |

CHAMPION ROAD MACHINERY

EFFECTIVE SERIAL NUMBERS) 17882 & UP  
 NUMEROS) DE SERIE EFFECTIFS)  
 NUMEROS) DE SERIE EFFECTIVOS)

700 SERIES  
 SERIE 700

SECTION 10 PAGE 19  
 SECTION 10 PAGINA 19



ISSUE No.  
 N° D'ÉMISSION  
 N° DE EDICION 1

LIGHTING INSTALLATIONS - 24 VOLT

FEBRUARY 1988

FOR LIST OF PARTS - TURN THIS PAGE

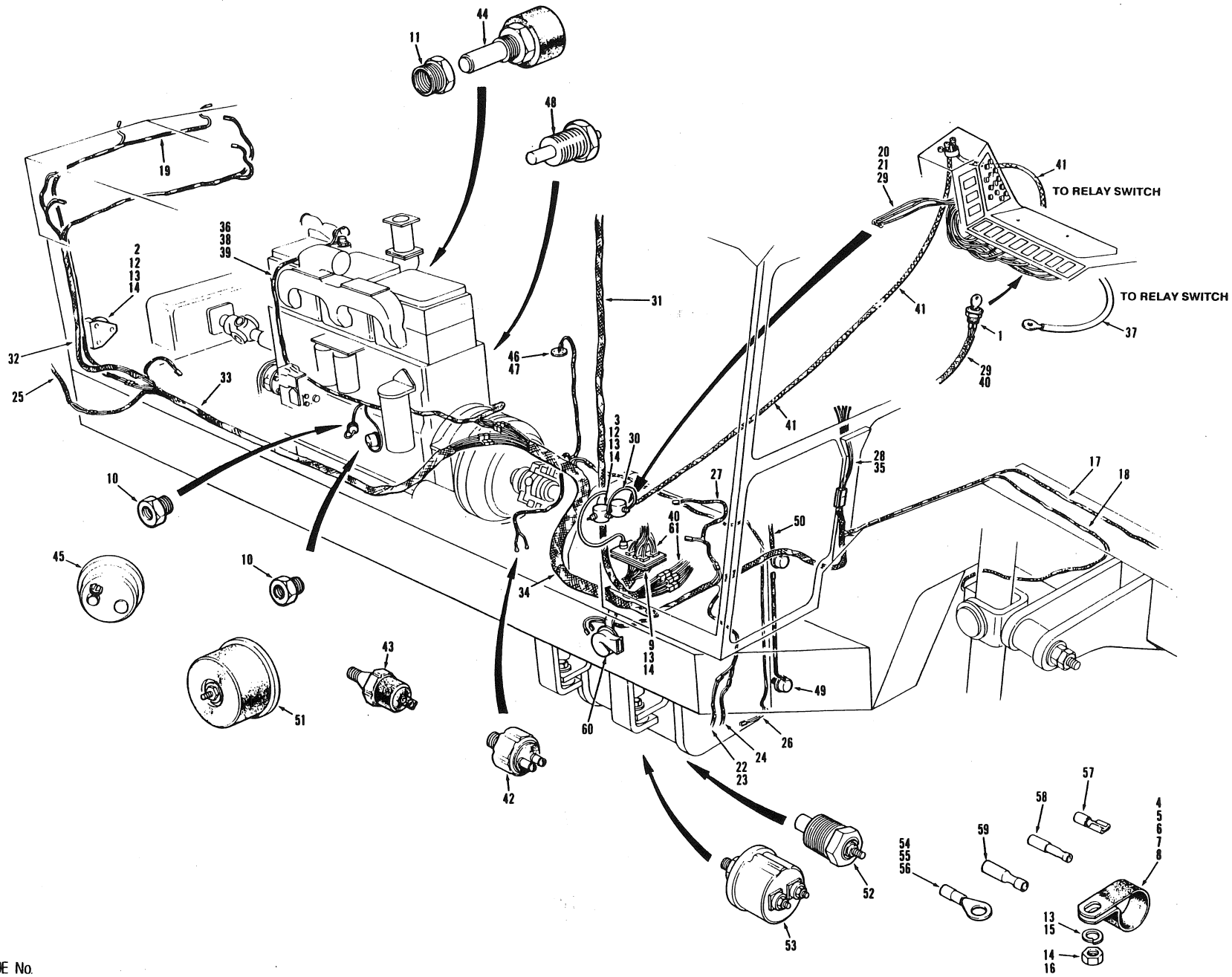
POUR LA LISTE DES PIÈCES - VOIR AU VERSO

PARA LA LISTA DE LAS PIEZAS - VFR AL VERSO

USE ONLY CHAMPION ROAD MACHINERY APPROVED PARTS

| SECTION<br>SECCION 10      |  | PAGE<br>PAGINA 20                         | ISSUE No.<br>N° D'ÉMISSION 1<br>N° DE EDICION | LIGHTING INSTALLATIONS - 24 VOLT |                               |  |   | FEBRUARY 1988                  |                               |
|----------------------------|--|---|---|----------------------------------|-------------------------------|--|---|--------------------------------|-------------------------------|
| No.<br>N°<br>N°            | PART No.<br>N° DE PIÈCE<br>N° DE PIEZA | DESCRIPTION<br>DÉSCRIPTION<br>DESCRIPCION | No. REQ.<br>N° REQ.<br>N° REQ.                | REMARKS<br>REMARQUES<br>NOTAS    | No.<br>N°<br>N°               | PART No.<br>N° DE PIECE<br>N° DE PIEZA | DESCRIPTION<br>DÉSCRIPTION<br>DESCRIPCION | No. REQ.<br>N° REQ.<br>N° REQ. | REMARKS<br>REMARQUES<br>NOTAS |
| <u>LIGHTS AND FLASHERS</u> |  |   |   |                                  |                               |  |   |                                |                               |
| 1                          | 14243                                  | CLEARANCE LIGHTS - AMBER                  | 1   |                                  | 31                            | 14681                                  | GROMMET - 3/8" I.D. X 7/8" O.D.           | A.R.                           |                               |
| 2                          | 14242                                  | CLEARANCE LIGHTS - RED                    | 1   |                                  | 32                            | 32437                                  | GROMMET - 1/2" I.D. X 1 1/16" O.D.        | A.R.                           |                               |
| 3                          | 14235                                  | LIGHT - MOLDBOARD & BACK-UP               | A.R.  |                                  | 33                            | 40G-0619                               | BOLT                                      | A.R.                           |                               |
| 4                          | 23797                                  | LIGHT - WING & REAR FLOOD                 | A.R.  |                                  | 34                            | 14A-06                                 | LOCKWASHER                                | A.R.                           |                               |
| 5                          | 23791-2                                | TWO BEAM FLASHER - BLUE                   | 1   |                                  | 35                            | 30A-08                                 | NUT                                       | A.R.                           |                               |
| 6                          | 23791-3                                | TWO BEAM FLASHER - AMBER                  | 1   |                                  | 36                            | 50A-0808                               | BOLT                                      | A.R.                           |                               |
| 7                          | 14256                                  | HEADLIGHT - EXTRA                         | A.R.  |                                  | 37                            | 50A-0824                               | BOLT                                      | A.R.                           |                               |
| 8                          | 34105                                  | LIGHT - DOME                              | 1   |                                  | 38                            | 14A-08                                 | LOCKWASHER                                | A.R.                           |                               |
| 9                          | 40814                                  | HEADLIGHT - L.H.                          | 1   |                                  | <u>BULBS AND SEALED BEAMS</u> |  |   |                                |                               |
| 10                         | 40815                                  | HEADLIGHT - R.H.                          | 1   |                                  | 39                            | 23855                                  | BULB FOR ITEMS 11                         | A.R.                           |                               |
| 11                         | 34076                                  | LIGHT - STOP, TAIL & TURN SIGNAL          | A.R.  |                                  | 40                            | 14247                                  | BULB FOR ITEMS 1 & 2                      | A.R.                           |                               |
| 12                         | 10850-2                                | HEADLIGHT RIM FOR ITEM 7                  | A.R.  |                                  | 41                            | 23851                                  | SEALED BEAM FOR ITEM 3                    | A.R.                           |                               |
| 13                         | 26987                                  | LIGHT MOUNTING SPACER KIT                 | A.R.  |                                  | 42                            | 23852                                  | SEALED BEAM FOR ITEM 4                    | A.R.                           |                               |
| 14                         | 53L-1004                               | SCREW                                     | A.R.  |                                  | 43                            | 48950                                  | SEALED BEAM FOR ITEMS 5 & 6               | A.R.                           |                               |
| 15                         | 14F-10                                 | LOCKWASHER                                | A.R.  |                                  | 44                            | 23853                                  | SEALED BEAM FOR ITEM 7                    | A.R.                           |                               |
| 16                         | 32A-10                                 | NUT                                       | A.R.  |                                  | 45                            | 34275                                  | BULB FOR ITEM 8                           | A.R.                           |                               |
|                            |  |   |   |                                  | 46                            | 48949                                  | SEALED BEAM FOR ITEMS 9 & 10              | A.R.                           |                               |
| <u>REFLECTORS</u>          |  |   |   |                                  |                               |  |   |                                |                               |
| 17                         | 9393                                   | REFLECTOR - RED                           | A.R.  |                                  | <u>REPLACEMENT LENSES</u>     |  |   |                                |                               |
| 18                         | 18727                                  | REFLECTOR - AMBER                         | A.R.  |                                  | 47                            | 18185-2                                | LENS - BLUE TWO BEAM FLASHER              | A.R.                           |                               |
| 19                         | 14A-04                                 | LOCKWASHER                                | A.R.  |                                  | 48                            | 18185-3                                | LENS - AMBER TWO BEAM FLASHER             | A.R.                           |                               |
| 20                         | 30A-04                                 | NUT                                       | A.R.  |                                  | 49                            | 26996                                  | LENS - RED FOR ITEM 2                     | A.R.                           |                               |
| <u>MOUNTING BRACKETS</u>   |  |   |   |                                  |                               |  |   |                                |                               |
| 21                         | 8667                                   | BRACKET FOR ITEMS 3 & 4                   | A.R.  |                                  | 50                            | 26997                                  | LENS - AMBER FOR ITEM 1                   | A.R.                           |                               |
| 22                         | 9333                                   | HINGED BRACKET - TWO BEAM FLASHER         | 1   |                                  | 51                            | 23920                                  | LENS - AMBER FOR ITEMS 9 & 10             | A.R.                           |                               |
| 23                         | 15370-32                               | BRACKET FOR ITEMS 1 & 2                   | A.R.  |                                  | 52                            | 32515                                  | LENS - RED FOR ITEM 11                    | A.R.                           |                               |
| 24                         | 19187-1                                | MOUNTING BAR                              | A.R.  |                                  |                               |  |   |                                |                               |
| 25                         | 19510-1                                | FLASHER BRACKET EXTENSION - R.H.          | 1   |                                  |                               |  |   |                                |                               |
| 26                         | 19510-2                                | FLASHER BRACKET EXTENSION - L.H.          | 1   |                                  |                               |  |   |                                |                               |
| 27                         | 28868                                  | BRACKET - REAR FLOOD                      | A.R.  |                                  |                               |  |   |                                |                               |
| 28                         | 35542                                  | BRACKET - HIGH HEADLIGHT                  | 1   |                                  |                               |  |   |                                |                               |
| 29                         | 35543                                  | BRACKET - LOW HEADLIGHT                   | 1   |                                  |                               |  |   |                                |                               |
| 30                         | 40835                                  | BRACKET - STOP & TAIL LIGHT - SINGLE      | A.R.  |                                  |                               |  |   |                                |                               |

CHAMPION ROAD MACHINERY



WIRING HARNESS & SENDING UNITS & HORN - 24 VOLT

FEBRUARY 1988

FOR LIST OF PARTS - TURN THIS PAGE      POUR LA LISTE DES PIÈCES - VOIR AU VERSO      PARA LA LISTA DE LAS PIEZAS - VER AL VERSO

EFFECTIVE SERIAL NUMBERS) 17882 & UP  
 NUMEROS) DE SERIE EFFECTIFS)  
 NUMEROS) DE SERIE EFFECTIVOS)

700 SERIES  
 SERIE 700

SECTION 10 PAGE 21  
 SECTION 10 PAGINA 21

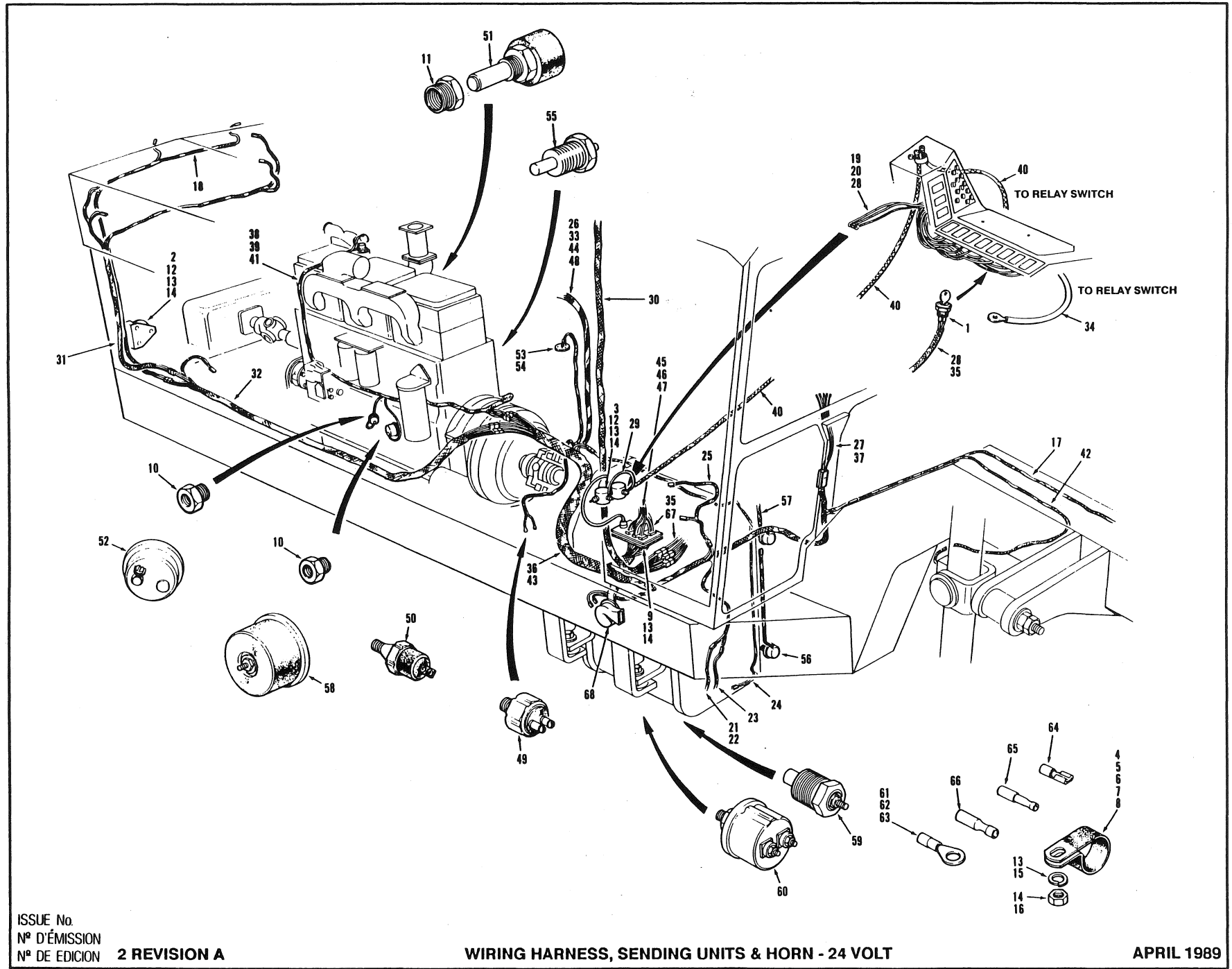
ISSUE No.  
 N° D'ÉMISSION  
 N° DE EDICION 1

USE ONLY CHAMPION ROAD MACHINERY APPROVED PARTS

| SECTION<br>SECCION    | PAGE<br>PAGINA                         | ISSUE No.<br>N° D'ÉMISSION<br>N° DE EDICION               | WIRING HARNESS & SENDING UNITS & HORN - 24 VOLT |                               | FEBRUARY 1988        |  |   |                                    |                               |
|-----------------------|--|---|---|-------------------------------|----------------------|--|---|------------------------------------|-------------------------------|
| 10                    | 22                                     | 1   |   |                               |                      |  |   |                                    |                               |
| No.<br>N°<br>N°       | PART No.<br>N° DE PIÉCE<br>N° DE PIEZA | DESCRIPTION<br>DÉSCRIPTION<br>DESCRIPCION                 | No. REQ.<br>N° REQ.<br>N° REQ.                  | REMARKS<br>REMARQUES<br>NOTAS | No.<br>N°<br>N°      | PART No.<br>N° DE PIÉCE<br>N° DE PIEZA | DESCRIPTION<br>DÉSCRIPTION<br>DESCRIPCION       | No. REQ.<br>N° REQ.<br>N° REQ.     | REMARKS<br>REMARQUES<br>NOTAS |
| 1                     | 5618                                   | IGNITION SWITCH & KEYS                                    | 1   |                               | 29                   | 40488                                  | HARNESS - INSTRUMENT PANEL POWER                | 1                                  |                               |
| 2                     | 15201                                  | BACK-UP ALARM   | 1   |                               | 30                   | 40665                                  | WIRE - SOLENOID TO SOLENOID                     | 1                                  |                               |
| 3                     | *34066                                 | SOLENOID - 24 VOLT  | 2   |                               | 31                   | 40931                                  | HARNESS - UPPER CAB                             | 1                                  |                               |
| 4                     | 32316                                  | CLIP - 3/8"   | 8   |                               | 32                   | 40950                                  | HARNESS - STOP & REAR TAIL LIGHTS               | 1                                  |                               |
| 5                     | 32317                                  | CLIP - 1/2"   | 2   |                               | 33                   | 40951                                  | HARNESS - REAR CHASSIS                          | 1                                  |                               |
| 6                     | 32318                                  | CLIP - 3/4"   | 4   |                               | 34                   | 43689                                  | HARNESS - MAIN CHASSIS                          | 1                                  |                               |
| 7                     | 32319                                  | CLIP - 1"   | 3   |                               | 35                   | 43690                                  | HARNESS - STEERING COLUMN                       | 1                                  |                               |
| 8                     | 32320                                  | CLIP - 1-1/4"   | 1   |                               | 36                   | 43692                                  | HARNESS - ENGINE                                | 1                                  | 710, 710A<br>& 720A           |
| 9                     | 40952                                  | ADAPTER PLATE   | 1   |                               |                      |  |   |                                    |                               |
| 10                    | 115B-0402                              | REDUCER   | 1   |                               | 37                   | 43640                                  | FEED WIRE - TRANSMISSION                        | 1                                  |                               |
| 11                    | 115B-0806                              | REDUCER   | 2   |                               | 38                   | 43693                                  | HARNESS - ENGINE                                | 1                                  | 740, 740A<br>780, 780A        |
| 12                    | 50A-0408                               | BOLT  | 8   |                               |                      |  |   |                                    |                               |
| 13                    | 14A-04                                 | LOCKWASHER  | 8   |                               | 39                   | 43694                                  | HARNESS - ENGINE                                | 1                                  | 720, 730<br>& 730A            |
| 14                    | 30A-04                                 | NUT   | 8   |                               |                      |  |   |                                    |                               |
| 15                    | 14A-06                                 | LOCKWASHER  | 2   |                               | 40                   | 43950                                  | HARNESS - INSTRUMENT PANEL                      | 1                                  |                               |
| 16                    | 30A-06                                 | NUT   | 2   |                               | 41                   | 43993                                  | HARNESS - TRANSMISSION                          | 1                                  |                               |
| <u>WIRING HARNESS</u> |  |   |   |                               | <u>SENDING UNITS</u> |  |   |                                    |                               |
| 17                    | 28377                                  | HARNESS - FRONT HEADLIGHTS                                | 1   | OPTIONAL                      | 42                   | 1684                                   | BRAKE SWITCH                                    | 1                                  |                               |
| 18                    | 28378                                  | HARNESS - FLOAT VALVES                                    | A.R.  | OPTIONAL                      | 43                   | 9670                                   | SWITCH - HOUR METER                             | 1                                  |                               |
| 19                    | 28384                                  | HARNESS - BACK-UP LIGHTS                                  | 1   |                               | 44                   | 9758                                   | ALARMSTAT                                       | 1                                  | OPTIONAL                      |
| 20                    | 28390                                  | HARNESS - 1 WIRE ACCESSORY                                | A.R.  |                               | 45                   | 11772                                  | PRESSURESTAT                                    | 1                                  | OPTIONAL                      |
| 21                    | 28391                                  | HARNESS - 2 WIRE ACCESSORY                                | A.R.  |                               | 46                   | 11785                                  | GASKET - FUEL SENDER                            | 1                                  |                               |
| 22                    | 28394                                  | HARNESS - FRONT MOUNT WING                                | 1   |                               | 47                   | 24589                                  | FUEL LEVEL                                      | 1                                  |                               |
| 23                    | 28395                                  | HARNESS - REAR MOUNT WING                                 | 1   |                               | 48                   | 28691                                  | COOLANT TEMPERATURE                             | 1                                  |                               |
| 24                    | 28396                                  | HARNESS - FRONT MOUNT WING                                | 1   | } OPTIONAL                    | 49                   | 40848                                  | TRANSMISSION OIL PRESSURE - INCLUDES<br>HARNESS | 1                                  |                               |
| 25                    | 28725                                  | HARNESS - REAR MOUNT WING, RIPPER &<br>WINDROW ELIMINATOR | 1   |                               |                      | 50                                     | 41534   | PRESSURE SWITCH - INCLUDES HARNESS | 1                             |
| 26                    | 29756                                  | HARNESS - TRANSMISSION                                    | 1   |                               | 51                   | 41787                                  | ENGINE OIL PRESSURE                             | 1                                  |                               |
| 27                    | 32375                                  | HARNESS - HEATER MOTOR                                    | 1   |                               | 52                   | 10076                                  | TEMPERATURE SENDER - 8400 TRANSMISSION          | 1                                  | OPTIONAL                      |
| 28                    | 40484                                  | HARNESS - ARTIC. SWITCH                                   | 1   |                               | 53                   | 15801                                  | OIL PRESSURE SENDER - 8400 TRANSMISSION         | 1                                  | OPTIONAL                      |
|                       |  |   |   |                               | 54                   | 130B-03                                | RING TERMINAL                                   | A.R.                               |                               |
|                       |  |   |   |                               | 55                   | 130B-04                                | RING TERMINAL                                   | A.R.                               |                               |
|                       |  |   |   |                               | 56                   | 130C-03                                | RING TERMINAL                                   | A.R.                               |                               |
|                       |  |   |   |                               | 57                   | 131B-04                                | SPADE TERMINAL                                  | A.R.                               |                               |
|                       |  |   |   |                               | 58                   | 134B-180                               | MALE BULLET                                     | A.R.                               |                               |
|                       |  |   |   |                               | 59                   | 135B-21                                | FEMALE BULLET                                   | A.R.                               |                               |
|                       |  |   |   |                               | 60                   | *14260                                 | HORN - 24 VOLTS                                 | 1                                  |                               |
|                       |  |   |   |                               |                      |  | <u>TROPICAL PROTECTION PACKAGE - OPTIONAL</u>   |                                    |                               |
|                       |  |   |   |                               | 61                   | 44881                                  | HARNESS - INSTRUMENT PANEL                      | 1                                  |                               |



CHAMPION ROAD MACHINERY



EFFECTIVE SERIAL NUMBER(S)  
 NUMEROS DE SERIE EFFECTIFS  
 NUMEROS DE SERIE EFFECTIVOS

19292 & UP

700 SERIES  
 SERIE 700

SECTION 10 PAGE 21  
 SECTION 10 PAGINA 21

ISSUE No.  
 N° D'ÉMISSION  
 N° DE EDICION

2 REVISION A

WIRING HARNESS, SENDING UNITS & HORN - 24 VOLT

APRIL 1989

FOR LIST OF PARTS - TURN THIS PAGE

POUR LA LISTE DES PIÈCES - VOIR AU VERSO

PARA LA LISTA DE LAS PIEZAS - VFR AL VERSO

USE ONLY CHAMPION ROAD MACHINERY APPROVED PARTS

| SECTION<br>SECCION |  | PAGE<br>PAGINA                            |  | ISSUE No.<br>N° D'ÉMISSION<br>N° DE EDICION |   | WIRING HARNESS, SENDING UNITS & HORN - 24 VOLT |  |   |  | APRIL 1989                     |                               |  |  |
|--------------------|--|---|--|---|---|--|--|---|--|--------------------------------|-------------------------------|--|--|
| 10                 |  | 22  |  | 2 REVISION A                                |   |  |  |   |  |                                |                               |  |  |
| No.<br>N°<br>N°    | PART No.<br>N° DE PIÈCE<br>N° DE PIEZA | DESCRIPTION<br>DESCRIPTION<br>DESCRIPCION |  | No. REQ.<br>N° REQ.<br>N° REQ.              | REMARKS<br>REMARQUES<br>NOTAS                         | No.<br>N°<br>N°                                | PART No.<br>N° DE PIECE<br>N° DE PIEZA | DESCRIPTION<br>DESCRIPTION<br>DESCRIPCION     |  | No. REQ.<br>N° REQ.<br>N° REQ. | REMARKS<br>REMARQUES<br>NOTAS |  |  |
| 1                  | 5618                                   | IGNITION SWITCH & KEYS                    |  | 1   |   | 42   | 46663                                  | HARNESS - FLOAT VALVES                        |  | A.R.                           | OPTIONAL                      |  |  |
| 2                  | 15201                                  | BACK-UP ALARM                             |  | 1   |   | 43   | *48868                                 | HARNESS - DRUM BRAKES - CHASSIS               |  | 1                              |                               |  |  |
| 3                  | 34066                                  | SOLENOID - 24 VOLT                        |  | 2   |   | 44   | *48869                                 | HARNESS - DRUM BRAKES WARNING                 |  | 1                              |                               |  |  |
| 4                  | 32316                                  | CLIP - 3/8"                               |  | 8   |   | 45   | *48877                                 | HARNESS - DRUM BRAKES CONSOLE                 |  | 1                              |                               |  |  |
| 5                  | 32317                                  | CLIP - 1/2"                               |  | 2   |   | 46   | 49473                                  | HARNESS - FLOAT VALVE                         |  | 1                              |                               |  |  |
| 6                  | 32318                                  | CLIP - 3/4"                               |  | 4   |   | 47   | 49474                                  | HARNESS - FLOAT VALVE                         |  | 1                              |                               |  |  |
| 7                  | 32319                                  | CLIP - 1"                                 |  | 3   |   | 48   | *49634                                 | HARNESS - TIRE PUMP                           |  | 1                              |                               |  |  |
| 8                  | 32320                                  | CLIP - 1 1/4"                             |  | 1   |   |  |  |   |  |                                |                               |  |  |
| 9                  | *48872                                 | ADAPTER PLATE                             |  | 1   |   |  |  |   |  |                                |                               |  |  |
| 10                 | 115B-0402                              | REDUCER                                   |  | 1   |   | 49   | 1684                                   | BRAKE SWITCH                                  |  | 2                              |                               |  |  |
| 11                 | 115B-0806                              | REDUCER                                   |  | 2   |   | 50   | 9670                                   | SWITCH - HOUR METER                           |  | 1                              |                               |  |  |
| 12                 | 50A-0408                               | BOLT                                      |  | 8   |   | 51   | 9758                                   | ALARM STAT                                    |  | 1                              | OPTIONAL                      |  |  |
| 13                 | 14A-04                                 | LOCKWASHER                                |  | 8   |   | 52   | 11772                                  | PRESSURESTAT                                  |  | 1                              | OPTIONAL                      |  |  |
| 14                 | 30A-04                                 | NUT                                       |  | 8   |   | 53   | 11785                                  | GASKET - FUEL SENDER                          |  | 1                              |                               |  |  |
| 15                 | 14A-06                                 | LOCKWASHER                                |  | 2   |   | 54   | 24589                                  | FUEL LEVEL                                    |  | 1                              |                               |  |  |
| 16                 | 30A-06                                 | NUT                                       |  | 2   |   | 55   | 28691                                  | COOLANT TEMPERATURE                           |  | 1                              |                               |  |  |
|                    |  | <b>WIRING HARNESS</b>                     |  |   |   | 56   | 40848                                  | TRANSMISSION OIL PRESSURE - INCLUDES HARNESS  |  | 1                              |                               |  |  |
| 17                 | 28377                                  | HARNESS - FRONT HEADLIGHTS                |  | 1   | OPTIONAL  | 57   | 41534                                  | PRESSURE SWITCH - INCLUDES HARNESS            |  | 1                              |                               |  |  |
| 18                 | 28384                                  | HARNESS - BACK-UP LIGHTS                  |  | 1   |   | 58   | 41787                                  | ENGINE OIL PRESSURE                           |  | 1                              |                               |  |  |
| 19                 | 28390                                  | HARNESS - 1 WIRE ACCESSORY                |  | A.R.  |   | 59   | 10076                                  | TEMPERATURE SENDER - 8400 TRANSMISSION        |  | 1                              | OPTIONAL                      |  |  |
| 20                 | 28391                                  | HARNESS - 2 WIRE ACCESSORY                |  | A.R.  |   | 60   | 15801                                  | OIL PRESSURE SENDER - 8400 TRANSMISSION       |  | 1                              | OPTIONAL                      |  |  |
| 21                 | 28394                                  | HARNESS - FRONT MOUNT WING                |  | 1   | OPTIONAL  | 61   | 130B-03                                | RING TERMINAL                                 |  | A.R.                           |                               |  |  |
| 22                 | 28395                                  | HARNESS - REAR MOUNT WING                 |  | 1   | OPTIONAL  | 62   | 130B-04                                | RING TERMINAL                                 |  | A.R.                           |                               |  |  |
| 23                 | 28398                                  | HARNESS - FRONT MOUNT WING                |  | 1   | OPTIONAL  | 63   | 130C-03                                | RING TERMINAL                                 |  | A.R.                           |                               |  |  |
| 24                 | 29756                                  | HARNESS - TRANSMISSION                    |  | 1   |   | 64   | 131B-04                                | SPADE TERMINAL                                |  | A.R.                           |                               |  |  |
| 25                 | 32375                                  | HARNESS - HEATER MOTOR                    |  | 1   |   | 65   | 134B-180                               | MALE BULLET                                   |  | A.R.                           |                               |  |  |
| 26                 | *40483                                 | HARNESS - OIL DISC BRAKES                 |  | 1   |   | 66   | 135B-21                                | FEMALE BULLET                                 |  | A.R.                           |                               |  |  |
| 27                 | 40484                                  | HARNESS - ARTICULATION SWITCH             |  | 1   |   |  |  | <b>TROPICAL PROTECTION PACKAGE - OPTIONAL</b> |  |                                |                               |  |  |
| 28                 | 40488                                  | HARNESS - INSTRUMENT PANEL POWER          |  | 1   |   | 67   | 44881                                  | HARNESS - INSTRUMENT PANEL                    |  | 1                              |                               |  |  |
| 29                 | 40665                                  | WIRE - SOLENOID TO SOLENOID               |  | 1   |   |  |  |   |  |                                |                               |  |  |
| 30                 | 40931                                  | HARNESS - UPPER CAB                       |  | 1   |   |  |  |   |  |                                |                               |  |  |
| 31                 | 40950                                  | HARNESS - STOP & REAR TAIL LIGHTS         |  | 1   |   |  |  |   |  |                                |                               |  |  |
| 32                 | 40951                                  | HARNESS - REAR CHASSIS                    |  | 1   |   |  |  |   |  |                                |                               |  |  |
| 33                 | *41654                                 | HARNESS - OIL DISC BRAKES                 |  | 1   |   | 68   | 14260                                  | HORN - 24 VOLT                                |  | 1                              |                               |  |  |
| 34                 | 43640                                  | FEED WIRE - TRANSMISSION                  |  | 1   |   |  |  |   |  |                                |                               |  |  |
| 35                 | 43950                                  | HARNESS - INSTRUMENT PANEL                |  | 1   |   |  |  |   |  |                                |                               |  |  |
| 36                 | 43689                                  | HARNESS - MAIN CHASSIS                    |  | 1   |   |  |  |   |  |                                |                               |  |  |
| 37                 | 43690                                  | HARNESS - STEERING COLUMN                 |  | 1   |   |  |  |   |  |                                |                               |  |  |
| 38                 | 43692                                  | HARNESS - ENGINE - 6BT                    |  | 1   | 710/710A  |  |  |   |  |                                |                               |  |  |
| 39                 | 43693                                  | HARNESS - ENGINE - L10                    |  | 1   | 740 thru 780A   |  |  |   |  |                                |                               |  |  |
| 40                 | 43993                                  | HARNESS - TRANSMISSION                    |  | 1   |   |  |  |   |  |                                |                               |  |  |
|                    | *45701                                 | HARNESS - ENGINE - 6CT                    |  | 1   | 720 thru 730A   |  |  |   |  |                                |                               |  |  |
| 41                 | *43694                                 | HARNESS - ENGINE - 6CT                    |  | 1   | S/N 18599 & UP<br>720 thru 730A<br>UP TO<br>S/N 18598 |  |  |   |  |                                |                               |  |  |